

**M** 143PC01 SERIES  
CHART 1

CATALOG LISTING	TYPE	OPERATING PRESSURE RANGE
143PC01D	D	±1 PSID

**GENERAL OPERATING CHARACTERISTICS**

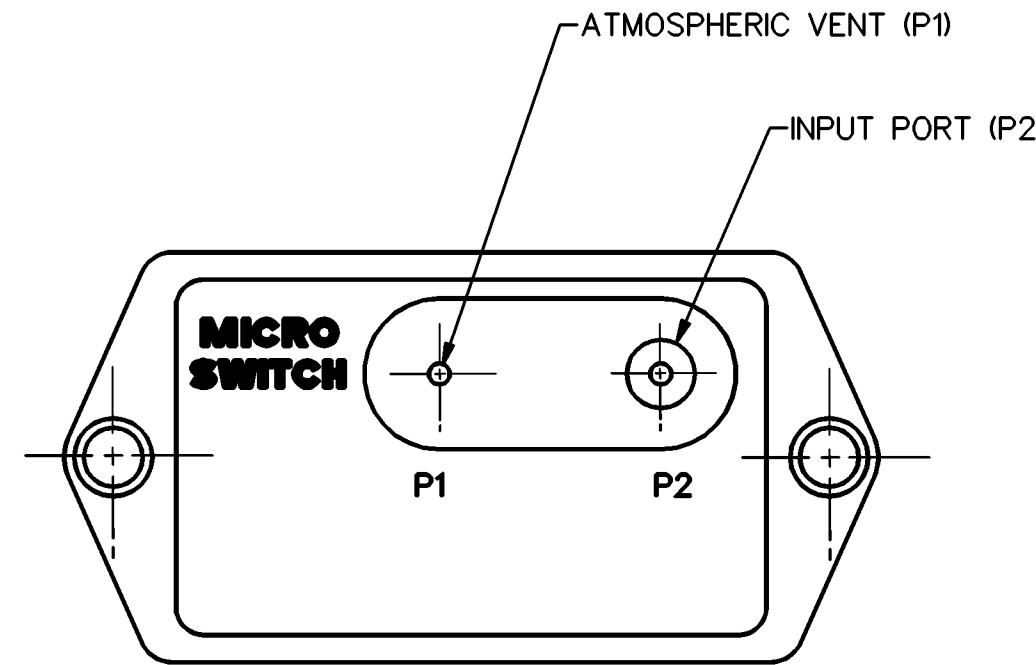
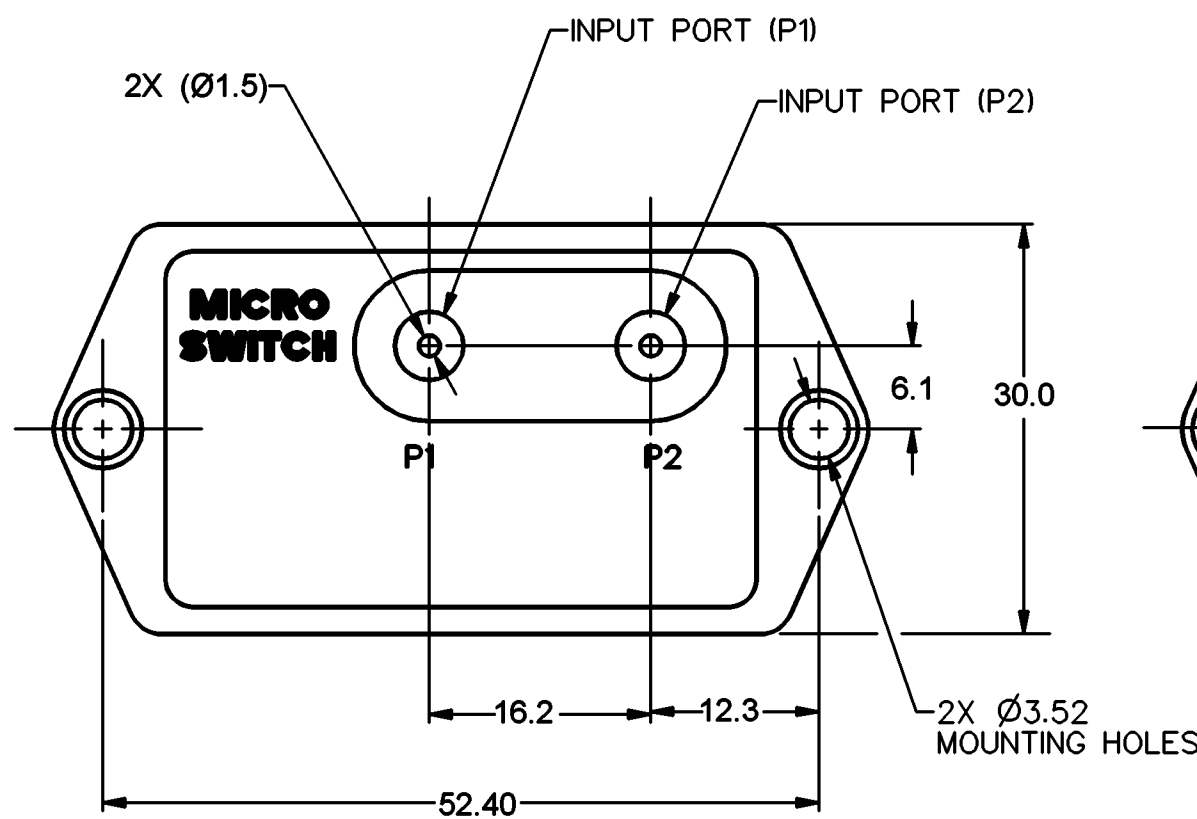
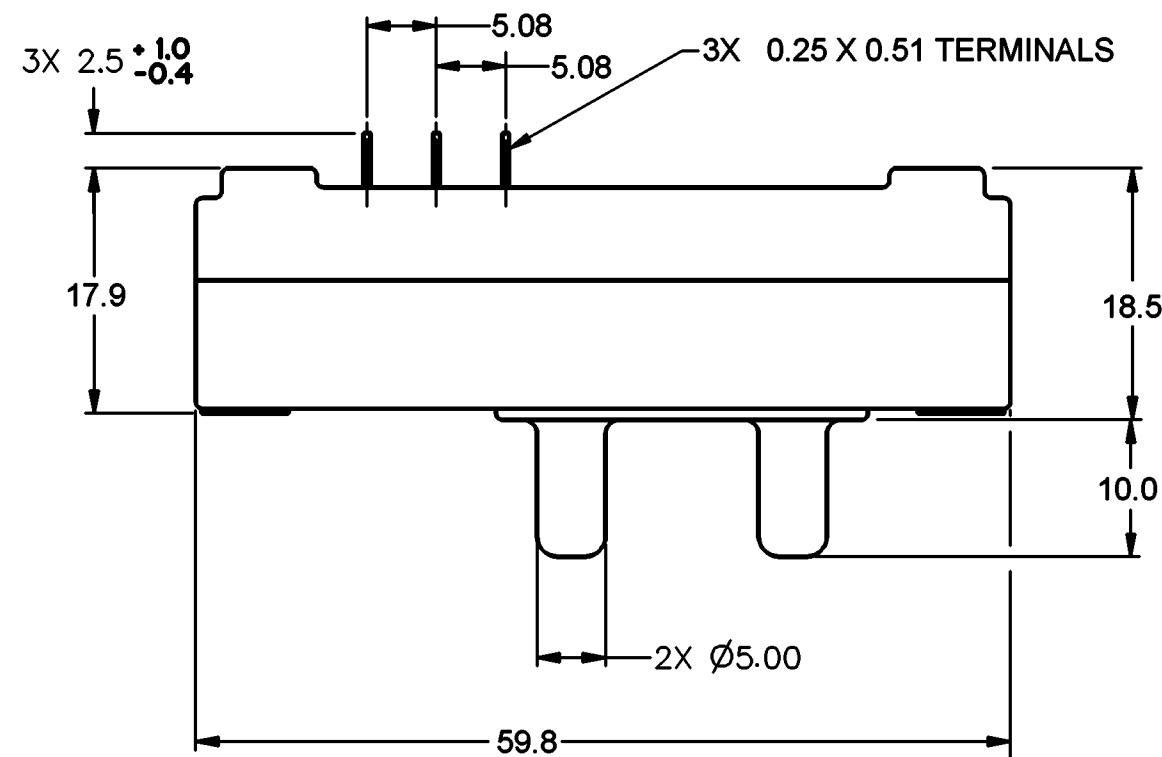
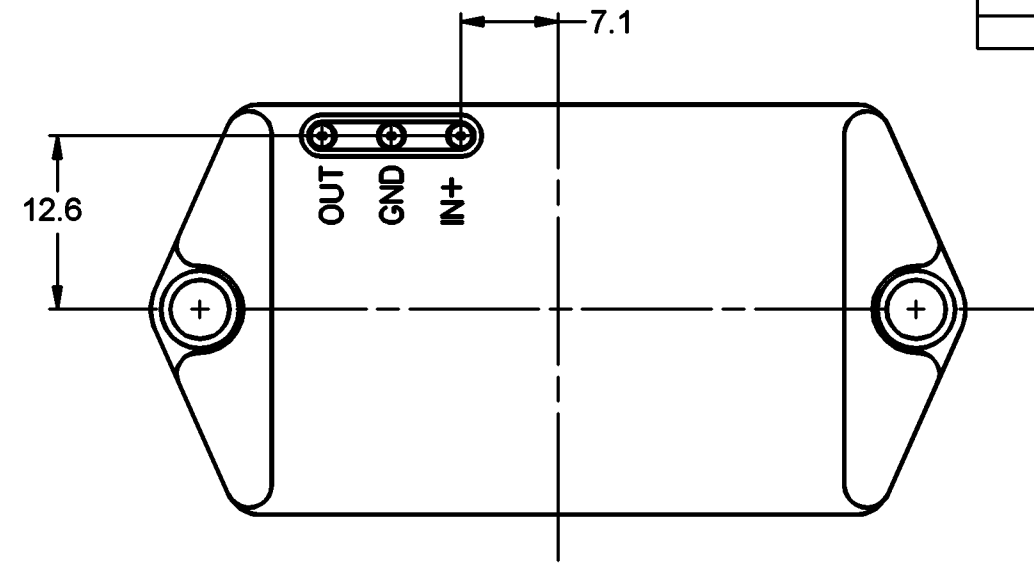
PRESSURE RANGE	-51.7 TO 51.7 mmHg (-1 TO 1 PSI)
OVERPRESSURE	1035 mmHg (20 PSI)
TEMPERATURE RANGES	
STORAGE	-55 TO +125°C
OPERATING	-40 TO +85°C
COMPENSATED	+5 TO +45°C
SUPPLY VOLTAGE	7 TO 16 VDC
SUPPLY CURRENT	20mA MAX WITH 10K LOAD
OUTPUT VOLTAGE	PROPORTIONAL TO SUPPLY VOLTAGE OVER ABOVE RECOMMENDED RANGE
SHORT CIRCUIT LIMIT	MAY BE SHORTED INDEFINITELY
OUTPUT RIPPLE	NONE
GROUND REFERENCE	SUPPLY AND OUTPUT ARE COMMON

**ELECTRICAL PERFORMANCE AT 25°C AND 8.00±0.01 VDC SUPPLY**

OUTPUT VOLTAGE	
143PC01D	
NULL (0 PSID)	3.50±0.05 VDC
+1.0 PSI (P2 > P1)	6.00±0.20 VDC
1.0 PSI (P2 < P1)	1.00 VDC TYP
SENSITIVITY	48.36mV/mmHg 2.5 V/PSI
LINEARITY (%F.S.O.) $\Delta$ 5	±0.75 (BEST FIT P2 < P1) ±1.50 (BEST FIT P2 > P1)
HYSTERESIS & REPEATABILITY (%F.S.O.) $\Delta$ 5	±0.3 TYPICAL
TEMPERATURE ERROR (%F.S.O.) $\Delta$ 5	
5° TO 45°C	±1.5 MAX
RESPONSE TIME	1 m SEC MAX

**NOTES:**

- INPUT MEDIA:  
P1 - DRY GASES ONLY: CONNECTION SIDE OF SENSOR  
P2 - LIMITED ONLY TO THOSE MEDIA THAT WILL NOT ATTACK POLYESTER, SILICON OR SILICONE BASED ADHESIVE
  - TERMINALS ARE PLATED FOR SOLDERING
  - LIMIT SOLDERING TO 315°C MAX FOR 10 SECONDS MAX
  - UNITS ARE OF PLASTIC CONSTRUCTION
- $\Delta$  F.S.O. IS THE ALGEBRAIC DIFFERENCE BETWEEN THE OUTPUT END POINTS (NULL AND FULL PRESSURE)



TYPE "G" (GAGE)

TYPE "D" (DIFFERENTIAL)

METRIC	INCH
0.4	.016
0.25	.010
0.51	.020
1.0	.039
1.5	.04
2.5	.099
3.52	.139
5.00	.197
5.08	.200
6.1	.240
7.1	.280
10.0	.39
12.3	.484
12.6	.496
16.2	.64
17.9	.70
18.5	.73
30.0	1.18
52.40	2.06
59.8	2.35

THIRD ANGLE PROJECTION

SCALE 2 : 1

DO NOT SCALE PRINT

UNLESS OTHERWISE SPECIFIED TOLERANCES ARE

NO PLACE	(0)	± 1 mm
ONE PLACE	(0.0)	± 0.4 mm
TWO PLACE	(0.00)	± 0.15 mm
ANGLES		±

WEIGHT

THIS DRAWING COVERS A PROPRIETARY ITEM AND IS THE PROPERTY OF MICRO SWITCH, A DIVISION OF HONEYWELL. THIS DRAWING IS NOT TO BE COPIED OR USED WITHOUT THE APPROVAL OF MICRO SWITCH.

**MICRO SWITCH**  
a Honeywell Division

PRESSURE TRANSDUCER

CATALOG LISTING  
**143PC01 SERIES**  
CHART 1

MASTER REDUCED  
ANSI Y14.5M-1982 APPLIES

DRAWING NUMBER  
**M** 143PC01 SERIES CHART 1  
PAGE 1 OF 1

ISSUE  
5

RELEASE NO. PR-15358 REPLACES

CHECK

REVISIONS

A	07/18/83	RS	1
B	11/01/81	RS	2
C	07/28/87	RS	3
D	05/18/88	RS	4
E	05/18/88	RS	5
F	05/18/88	RS	6
G	05/18/88	RS	7
H	05/18/88	RS	8
I	05/18/88	RS	9
J	05/18/88	RS	10
K	05/18/88	RS	11
L	05/18/88	RS	12
M	05/18/88	RS	13
N	05/18/88	RS	14
O	05/18/88	RS	15
P	05/18/88	RS	16
Q	05/18/88	RS	17
R	05/18/88	RS	18
S	05/18/88	RS	19
T	05/18/88	RS	20
U	05/18/88	RS	21
V	05/18/88	RS	22
W	05/18/88	RS	23
X	05/18/88	RS	24
Y	05/18/88	RS	25
Z	05/18/88	RS	26

20MAY10 CHECK

RS

NOV91 CHECK

RASTER DRAWN