

CATALOG LISTING	TYPE	OPERATING PRESSURE RANGE
141PC15DL	D	0 TO -14.7 PSID
⊖	G	0 TO -14.7 PSIG
⊕	A	0 TO 15 PSIA
⊙	D	0 TO 15 PSID

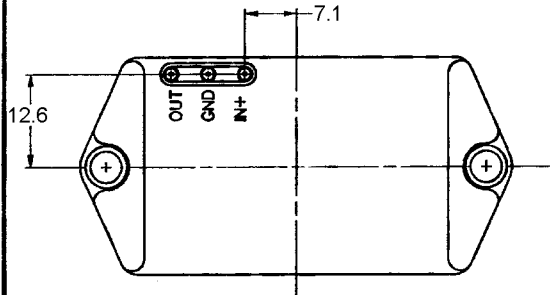
GENERAL OPERATING CHARACTERISTICS **M** 140PC15L SERIES CHART 1

PRESSURE RANGE	0 TO 775 mmHg (0 TO 15 PSI)
OVERPRESSURE	3100 mmHg (60 PSI)
TEMPERATURE RANGE	-55°C TO +125°C
SUPPLY VOLTAGE	7 TO 16 VDC
SUPPLY CURRENT	20mA MAX WITH 10K LOAD
OUTPUT VOLTAGE	PROPORTIONAL TO SUPPLY VOLTAGE OVER ABOVE RECOMMENDED RANGE
SHORT CIRCUIT LIMIT	MAY BE SHORTED INDEFINITELY
OUTPUT RIPPLE	NONE
GROUND REFERENCE	SUPPLY AND OUTPUT ARE COMMON

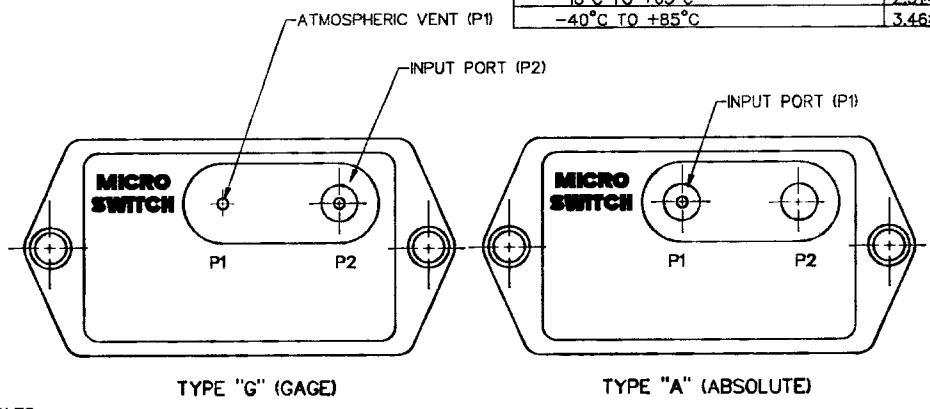
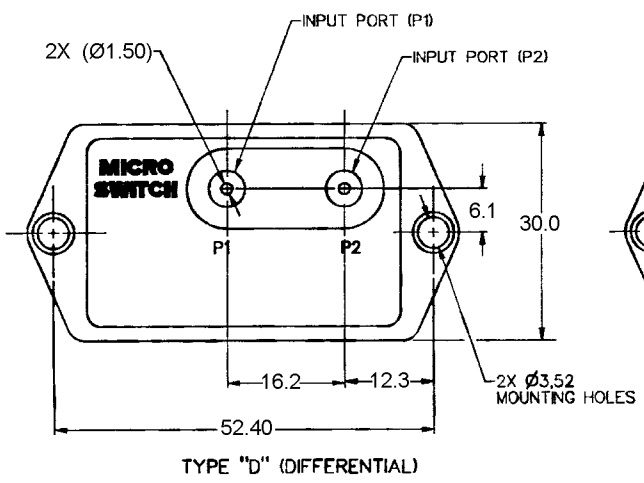
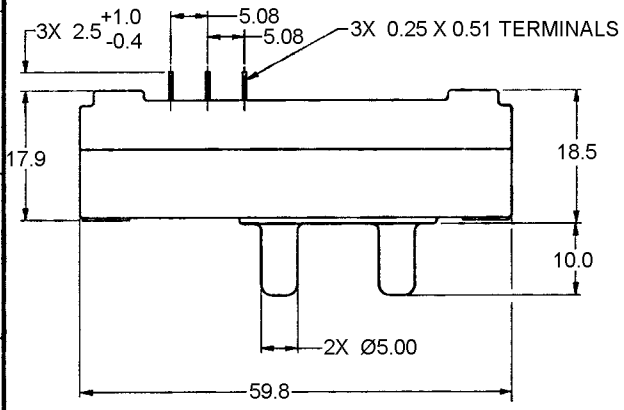
ELECTRICAL PERFORMANCE AT 25°C AND 8.00±.01 VDC SUPPLY

OUTPUT VOLTAGE	
141PC15DL OR GL NULL (0 PSIG)	1.000±.050 VDC
FULL SCALE (14.7 PSIG)	5.900 VDC TYP P1 > P2
SPAN	4.900±.050 VDC
142PC15D OR G	
NULL (0 PSIG)	1.000±.050 VDC
FULL SCALE (15 PSIG)	6.000 VDC TYP P2 > P1
SPAN	5.000±.050 VDC
SENSITIVITY	333.3 mV/PSI TYP
LINEARITY (B.F.S.L.)	.15% SPAN TYP P1 > P2 .40% SPAN MAX P2 > P1 .25% SPAN TYP P2 > P1 .60% SPAN MAX P2 > P1
HYSTERESIS & REPEATABILITY	
TEMPERATURE ERROR	.15% SPAN TYP
142PC15AL	
NULL (0 PSIA)	1.000 VDC TYP
REFERENCE (2 PSIA)	1.667±.050 VDC
FULL SCALE (15 PSIA)	6.000 VDC TYP P1 > P2
SPAN (2 TO 15 PSIA)	4.333±.050 VDC
SENSITIVITY	333.3 mV/PSI TYP
LINEARITY (B.F.S.L.)	.17% SPAN TYP .46% SPAN MAX
HYSTERESIS & REPEATABILITY	
TEMPERATURE ERROR	.17% SPAN TYP
142PC15L	
NULL (0 PSIA)	1.000 VDC TYP
REFERENCE (2 PSIA)	1.667±.050 VDC
FULL SCALE (15 PSIA)	6.000 VDC TYP P1 > P2
SPAN (2 TO 15 PSIA)	4.333±.050 VDC
SENSITIVITY	333.3 mV/PSI TYP
LINEARITY (B.F.S.L.)	.17% SPAN TYP .46% SPAN MAX
HYSTERESIS & REPEATABILITY	
TEMPERATURE ERROR	.17% SPAN TYP
142PC15L	
NULL (0 PSIA)	1.000 VDC TYP
REFERENCE (2 PSIA)	1.667±.050 VDC
FULL SCALE (15 PSIA)	6.000 VDC TYP P1 > P2
SPAN (2 TO 15 PSIA)	4.333±.050 VDC
SENSITIVITY	333.3 mV/PSI TYP
LINEARITY (B.F.S.L.)	.17% SPAN TYP .46% SPAN MAX
HYSTERESIS & REPEATABILITY	
TEMPERATURE ERROR	.17% SPAN TYP

METRIC	INCH
0.4	.016
0.25	.010
0.51	.020
1.0	.039
1.5	.04
2.5	.099
3.52	.139
5.00	.197
5.08	.200
6.1	.240
7.1	.280
10.0	.39
12.3	.484
12.6	.496
16.2	.64
17.9	.70
18.5	.73
30.0	1.18
52.40	2.06
59.8	2.35



- NOTES:
 1 - INPUT MEDIA:
 P1 - DRY GASES ONLY; CONNECTION SIDE OF SENSOR
 P2 - LIMITED ONLY TO THOSE MEDIA THAT WILL NOT ATTACK POLYESTER, SILICON OR SILICONE BASED ADHESIVE
 2 - TERMINALS ARE PLATED FOR SOLDERING
 3 - LIMIT SOLDERING TO 315°C MAX FOR 10 SECONDS MAX
 4 - UNITS ARE OF PLASTIC CONSTRUCTION



THIRD ANGLE PROJECTION	
SCALE	2 : 1
DO NOT SCALE PRINT	
UNLESS OTHERWISE SPECIFIED TOLERANCES ARE	
NO PLACE	(0) ±1 mm
ONE PLACE	(0.0) ±0.4 mm
TWO PLACE	(0.00) ±0.15 mm
ANGLES	±
WEIGHT	31 GRAMS

THIS DRAWING COVERS A PROPRIETARY ITEM AND IS THE PROPERTY OF MICRO SWITCH, A DIVISION OF HONEYWELL. THIS DRAWING IS NOT TO BE COPIED OR USED WITHOUT THE APPROVAL OF MICRO SWITCH.

MICRO SWITCH
a Honeywell Division

CATALOG LISTING
140PC15L SERIES
CHART 1

MASTER REDUCED
ANSI Y14.5M-1982 APPLIES

PRESSURE TRANSDUCER

DRAWING NUMBER 140PC15L SERIES CHART 1
 REVISION 10
 DATE 10 MAY 1984
 BY J.A.F. (17/MAY/84)
 CHECKED KAG (19 MAY 94)
 APPROVED R.S. (19 MAY 10)
 REVISIONS:
 A 00774.36
 B 00774.36
 C 00593934
 D 201723
 E 0054472
 F 0054472
 G 1984Y10
 RASTER
 J.A.F. (17/MAY/84)