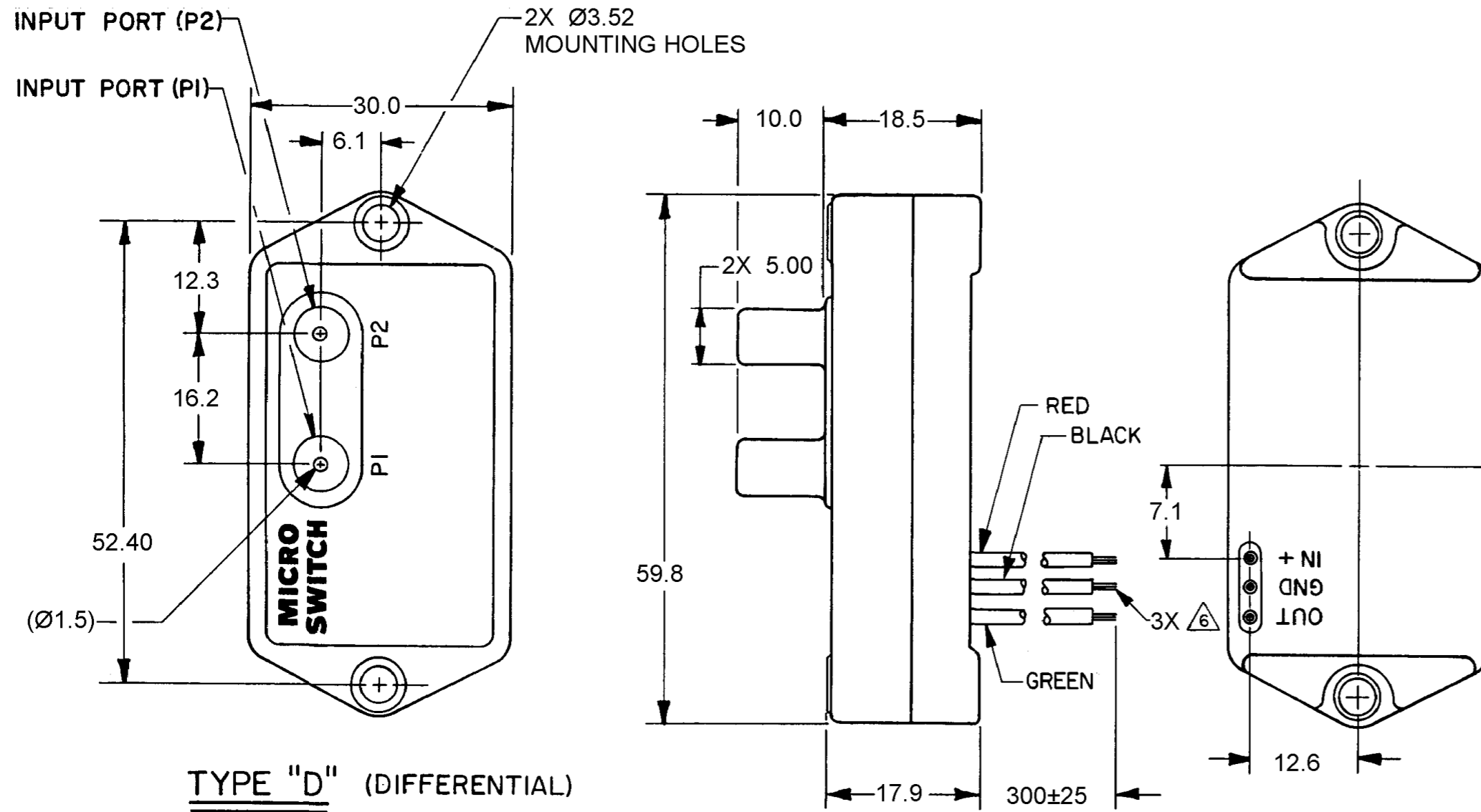


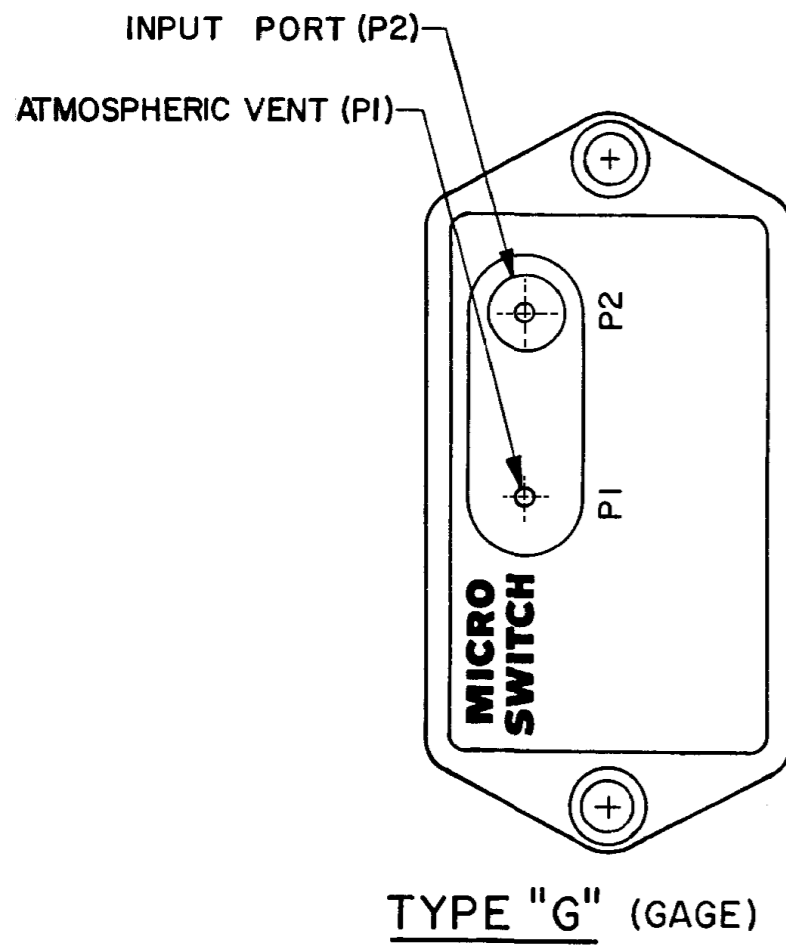
METRIC	INCH
1.5	.04
3.52	.139
5.00	.197
6.1	.240
7.1	.280
10.0	.39
12.3	.484
12.6	.496
16.2	.64
17.9	.70
18.5	.73
30.0±25	11.8±1.0
30.0	1.18
52.40	2.063
59.8	2.35

CATALOG LISTING	TYPE	OPERATING PRESSURE RANGE
143PC05DW	D	-5 TO +5 PSID



TYPE "D" (DIFFERENTIAL)

GENERAL OPERATING CHARACTERISTICS	
PRESSURE RANGE	-258 TO 285 mmHg (-5 TO 5 PSI)
OVERPRESSURE	1034 mmHg (20 PSI)
TEMPERATURE RANGES	STORAGE -55 TO +125°C OPERATE -40 TO +85°C COMPENSATED -18 TO +63°C
SUPPLY VOLTAGE	7 TO 16 VDC
SUPPLY CURRENT	20 mA MAX WITH 10K LOAD
OUTPUT VOLTAGE	PROPORTIONAL TO SUPPLY VOLTAGE OVER ABOVE RECOMMENDED RANGE
SHORT CIRCUIT LIMIT	MAY BE SHORTENED INDEFINITELY
OUTPUT RIPPLE	NONE
GROUND REFERENCE	SUPPLY AND OUTPUT ARE COMMON



TYPE "G" (GAGE)

ELECTRICAL PERFORMANCE AT 25°C AND 8.00 ± 0.01 VDC SUPPLY	
OUTPUT VOLTAGE	
143PC05DW	
NULL (0 PSID)	3.50 ± 0.05 VDC
+5 PSI (P2 > P1)	6.00 ± 0.10 VDC
5 PSI (P2 < P1)	1.00 ± 0.20 VDC
SENSITIVITY	9.67 mV/mmHg (500 mV/PSI)
LINEARITY (% F.S.O.) / Δ5 (BFSL)	±0.75 MAX (P2 < P1) ±1.50 MAX (P2 > P1)
HYSTERESIS & REPEATABILITY (% F.S.O.) / Δ5	±0.5 TYPICAL
TEMPERATURE ERROR (% F.S.O.) / Δ5	
-18° < 25° > 63°C	±1.0 MAX
-40° < 25° > 85°C	±1.5 TYP
RESPONSE TIME	1 m SEC MAX

- NOTES:
- 1 INPUT MEDIA:
 - P1 - DRY GASES ONLY: CONNECTION SIDE OF SENSOR
 - P2 - LIMITED ONLY TO THOSE MEDIA THAT WILL NOT ATTACK POLYESTER SILICON, OR SILICONE BASED ADHESIVE
 - 2 - TERMINALS ARE PLATED FOR SOLDERING
 - 3 - LIMIT SOLDERING TO 315°C MAX FOR 10 SECONDS MAX
 - 4 - UNITS ARE OF PLASTIC CONSTRUCTION
 - Δ5 F.S.O. IS THE ALGEBRAIC DIFFERENCE BETWEEN THE OUTPUT END POINTS (NULL AND FULL PRESSURE)
 - Δ6 STRIPPED & TINNED LEAD ENDS TO BE 5.0 MAX

THIRD ANGLE PROJECTION	
SCALE NONE	
DO NOT SCALE PRINT	
UNLESS OTHERWISE SPECIFIED TOLERANCES ARE	
ONE PLACE (.0)	± .030
TWO PLACE (.00)	± .015
THREE PLACE (.000)	± .005
ANGLES	±
RAW MATERIAL - COMMERCIAL STANDARD	
DIMENSIONS ARE IN INCHES AND ARE TO BE MET BEFORE PROTECTIVE COATINGS ARE APPLIED	
MICRO SWITCH STANDARDS APPLY	
WEIGHT 31 GRAMS	

THIS DRAWING COVERS A PROPRIETARY ITEM AND IS THE PROPERTY OF MICRO SWITCH, A DIVISION OF HONEYWELL. THIS DRAWING IS NOT TO BE COPIED OR USED WITHOUT THE APPROVAL OF MICRO SWITCH.

MICRO SWITCH
a Honeywell Division

PRESSURE
TRANSDUCER

CATALOG LISTING
143PC05 SERIES
CHART 2

RASTER FO-32863-B
 DRAWN D J S 20 JUN 84
 CHECKED C E C 21 JULY 84
 REVISIONS: A CO56344 J A P DEC 84; B CO63870 K A G SEP 85; C 0064472 P R S 20 MAY 10
 DRAWING NUMBER: M 143PC05 SERIES CHART 2
 RELEASE NO. PR-13097
 REPLACES: