

TERMINATION (5)

TERMINATION (2)

TERMINATION (6)

GREEN (V_{out} -)
 BLACK (NEGATIVE -)
 WHITE (V_{out} +)
 RED (POSITIVE +)

26PC_FG_G

CATALOG LISTING	BRANDING CODE
26PCCFG5G	6CF5G
26PCCFG6G	6CF6G
26PCDFG2G	6DF2G
26PCDFG5G	6DF5G
26PCAFG6G	6AF6G
26PCDFG6G	6DF6G
26PCFFG6G	6FF6G
26PCBFG2G	6BF2G
26PCCFG2G	6CF2G
26PCFFG2G	6FF2G
26PCFFG5G	6FF5G

STYLE (G) GAGE
 TERMINATION (2) 2 X 2 (FORMED)
 (5) 1 X 4 WITH CONNECTOR
 (6) 1 X 4 (.60 IN.)

PORT (G) SMALL FLOW THROUGH
 SEAL (F) FLUROSILICONE

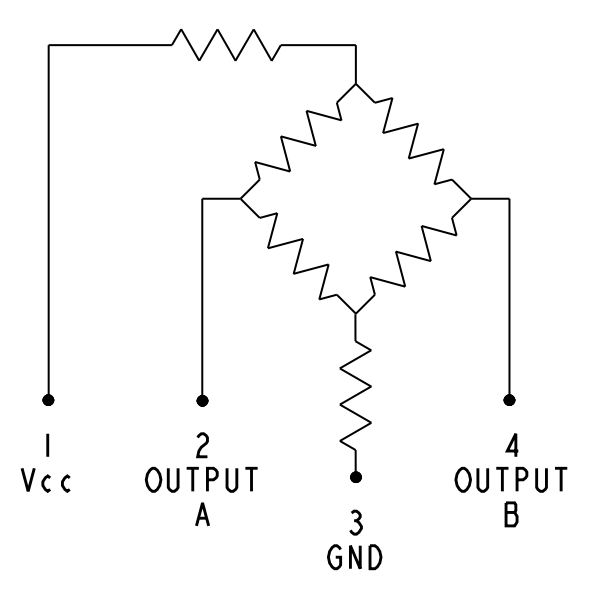
PRESSURE	METRIC	INCHES
(A) 1 PSI	0,40	.016
(B) 5 PSI	0,51	.020
(C) 15 PSI	0,8	.03
(D) 30 PSI	1,02	.040
(F) 100 PSI	1,8	.07
(K) 38 PSI	2,3	.09
	2,5	.10
	2,8	.11
	3,3	.13
	3,66	.144
	5,1	.20
	6,1	.24
	7,1	.28
	8,4	.33
	8,9	.35
	12,7	.50
	15,2	.60
	25,7	1.01
	609,60	24.000

ALL PRESSURE RANGE	MIN	TYP	MAX	UNITS
EXCITATION VOLTAGE		10	16	VDC
INPUT RESISTANCE	5.5K	7.5K	11.5K	OHMS
OUTPUT RESISTANCE	1.5K	2.5K	3.0K	OHMS
RESPONSE TIME			1.0	ms

TEMPERATURE RANGES	MIN	TYP	MAX	UNITS
STORAGE	-55°C		+100°C	(-67°F TO +212°F)
OPERATE	-40°C		+85°C	(-40°F TO +185°F)
COMPENSATED	0		+50°C	(+32°F TO +122°F)

GENERAL OPERATING CHARACTERISTICS (ELECTRICAL PERFORMANCE AT 10.00±0.01 VDC EXCITATION, 25°C)																			
PRESSURE RANGE (PSI)	0-1			0-5			0-15			0-30			0-38 (TESTED AT 15 PSI)			0-100			UNITS
	MIN	NOM	MAX	MIN	NOM	MAX	MIN	NOM	MAX	MIN	NOM	MAX	MIN	NOM	MAX	MIN	NOM	MAX	
SPAN (P2>P1)	14.7	16.7	18.7	47	50	53	97	100	103	97	100	103	37.5	39.5	41.5	95	100	105	mV
NULL OFFSET	-1.5	0	+1.5	-1.5	0	+1.5	-1.5	0	+1.5	-1.5	0	+1.5	-1.5	0	+1.5	-2.0	0	+2.0	mV
		TYP	MAX		TYP	MAX		TYP	MAX		TYP	MAX		TYP	MAX		TYP	MAX	UNITS
LINEARITY (BFSL, P2>P1)		0.25	0.5		±0.4	0.5		0.25	0.5		0.1	0.2		0.1	0.5		0.4	0.6	%SPAN
NULL SHIFT (0 TO 25°C, 25 TO 50°C)		±0.5	±1.0		±0.5	±1.0		±0.5	±1.0		±0.75	±1.5		±0.7	±1.5		±1.0	±2.0	mV
SPAN SHIFT (0 TO 25°C, 25 TO 50°C) P2>P1		±1.0	±2.0		±1.0	±1.5		±0.75	±1.5		±0.75	±1.5		±1.0	±1.5		±0.5	±1.5	%SPAN
REPEATABILITY AND HYSTERESIS		±0.5			±0.2			±0.2			±0.2			±0.2			±0.2		%SPAN
OVERPRESSURE (P2>P1; P1>P2)			20			20			45			60			60			200	PSI

CIRCUIT DIAGRAM



OUTPUT "A"
 INCREASES AS P2
 PRESSURE INCREASES

OUTPUT "B"
 DECREASES AS P2
 PRESSURE INCREASES

- NOTES
- 1 - SPAN IS THE ALGEBRAIC DIFFERENCE BETWEEN OUTPUT AT MINIMUM RATED OPERATING PRESSURE AND OUTPUT AT 0 PSI
 - 2 - TEMPERATURE ERROR IS CALCULATED WITH RESPECT TO 25°C
 - 3 - INPUT MEDIA LIMITED ONLY TO THOSE MATERIALS THAT WILL NOT ATTACK SILICON, THE HOUSING MATERIAL OR SEAL MATERIAL
 - 4 - TERMINALS ARE PLATED FOR SOLDERING (LIMIT SOLDERING TO 315°C FOR 10 SECONDS MAX) (NON-HARNESS PRODUCTS)
 - 5 - PIN 1 IS IDENTIFIED BY NOTCH IN LEAD OR RED WIRE. ON 2X2 PRODUCTS, PINS 2,3 AND 4 FOLLOW IN A CLOCKWISE DIRECTION AS VIEWED WITH THE P1 PORT DOWN.
 - 6 - SENSOR IS OPERATIONAL OVER VACUUM PRESSURE RANGE
 - 7 - RATIO METRIC TO SUPPLY VOLTAGE
 - 8 - LASER MARK DATE CODE AND CAT. LISTING THIS SIDE. ALTERNATE FORMAT OF CATALOG LISTING BRAND IS THE ENTIRE CATALOG LISTING

THIRD ANGLE PROJECTION		
SCALE	2:1	
DO NOT SCALE PRINT		
UNLESS OTHERWISE SPECIFIED TOLERANCES ARE		
ONE PLACE	(.0)	±.030
TWO PLACES	(.00)	±.015
THREE PLACES	(.000)	±.005
ANGLES		±
WEIGHT		

THIS DRAWING COVERS A PROPRIETARY ITEM AND IS THE PROPERTY OF MICRO SWITCH, A DIVISION OF HONEYWELL. THIS DRAWING IS NOT TO BE COPIED OR USED WITHOUT THE APPROVAL OF MICRO SWITCH.

MICRO SWITCH a Honeywell Division BRIDGE PRESSURE SENSOR

CATALOG LISTING 26PC SERIES CHART 11

FED. MFG. CODE 91929

P.T.C./CAD
 MAM 10 FEB 95 CHECK J A F 24 AUG 98
 MDM 25 FEB 04 CHECK
 RS 11 AUG 09
 20 ISSUE
 26PC SERIES CHART 11
 DRAWING NUMBER
 26PC SERIES CHART 11
 REVISIONS
 A 204006 TSM 25 SEP 01
 B 0003483 TRF 25 FEB 04
 C 0013886 CWR 28 JUN 05
 D 0018475 CWR 17 JAN 06
 E 0019594 CWR 22 FEB 06
 F 0055514 VES 11 AUG 09
 RELEASE NO. PR-21154
 REPLACES