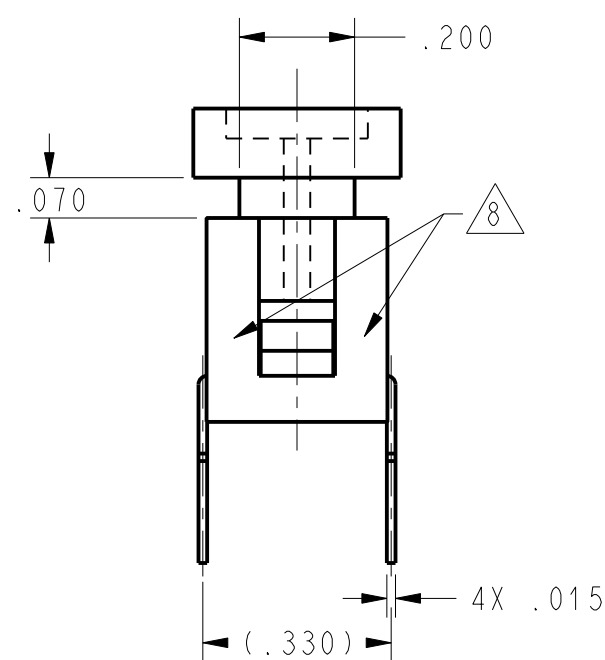
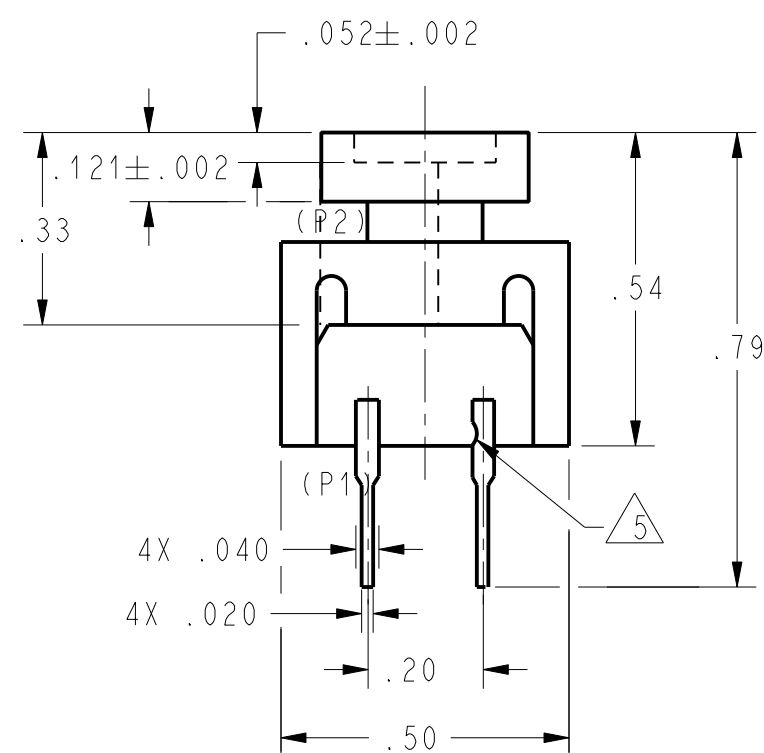
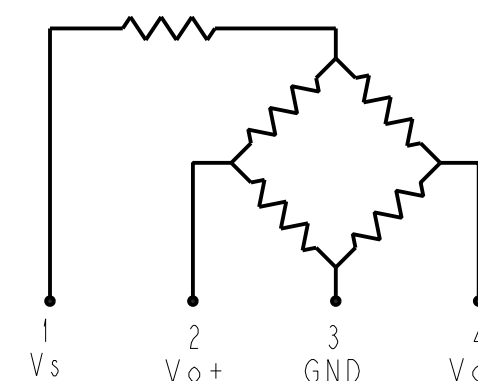


METRIC	INCHES
0,38	.015
0,51	.020
1,02	.040
1,3	.05
3,0	.12
5,1	.20
6,4	.25
7,9	.31
8,4	.33
9,1	.36
12,7	.50
13,7	.54
20,1	.79



GENERAL OPERATING CHARACTERISTICS (ELECTRICAL PERFORMANCE AT 10.00 ±0.01 VDC EXCITATION, 25°C)				
PRESSURE RANGE (PSI)	MIN	NOM	MAX	UNITS
SPAN (P2>P1) $\Delta 1$ (0-100 PSI)	95	100	105	mV
NULL OFFSET	-2.0	0	+2.0	mV
		TYP		
LINEARITY (BFSL, P2>P1)		0.4	0.6	%SPAN
NULL SHIFT $\Delta 2$ (0 TO 25°C, 25 TO 50°C)		±1.0	±2.0	mV
SPAN SHIFT (P2>P1) $\Delta 2$ (0 TO 25°C, 25 TO 50°C)		±0.5	±1.5	%SPAN
REPEATABILITY & HYSTERESIS		±0.2	-	%SPAN
OVERPRESSURE (P2>P1; P1>P2)		-	250	PSI
ALL PRESSURE RANGES				
EXCITATION VOLTAGE		10	16	VDC
INPUT RESISTANCE	5.5K	7.5K	11.5K	OHMS
OUTPUT RESISTANCE	1.5K	2.5K	3.0K	OHMS
RESPONSE TIME			1.0	ms
TEMPERATURE RANGES				
STORAGE	-55° TO +100° C (-67° TO +212° F)			
OPERATE	-40° TO +85° C (-40° TO +185° F)			
COMPENSATED	0° TO +50° C (+32° TO +122° F)			

CIRCUIT DIAGRAM



NOTES

- 1 SPAN IS THE ALGEBRAIC DIFFERENCE BETWEEN OUTPUT AT MAXIMUM RATED OPERATING PRESSURE AND OUTPUT AT 0 PSI
- 2 TEMPERATURE ERROR IS CALCULATED WITH RESPECT TO 25°C
- 3 - INPUT MEDIA LIMITED ONLY TO THOSE MATERIALS THAT WILL NOT ATTACK SILICON, THE HOUSING MATERIAL OR SEAL MATERIAL
- 4 - TERMINALS ARE PLATED FOR SOLDERING (LIMIT SOLDERING TO 315°C FOR 10 SECONDS MAX)
- 5 PIN 1 IS IDENTIFIED BY NOTCH IN LEAD
- 6 - SENSOR IS OPERATIONAL OVER VACUUM PRESSURE RANGE
- 7 - RATIO METRIC TO SUPPLY VOLTAGE
- 8 PART BRANDED WITH DATE CODE (YYYYWW) AND "6FF2G". ALTERNATE FORMAT OF CATALOG LISTING BRAND IS THE ENTIRE CATALOG LISTING

P.T.C./CAD [20] DRAWN [20] FEB 01 CHECK [20] FEB 01 SAV [20] FEB 01 CHECK [20] FEB 01 CHECK [20] FEB 04
 26PCFFS2G
 DRAWING NUMBER
 ISSUE 5
 REVISIONS
 A 204006 TSM 25SEP01
 B 0002314 25 NOV 03
 C 0002734 19 DEC 2003
 D 0003794 25 FEB 04
 CHECKED [20] FEB 01 CHECK [20] FEB 01 CHECK [20] FEB 04
 RELEASE NO. 202388
 REPLACES -

THIS DRAWING COVERS A PROPRIETARY ITEM AND IS THE PROPERTY OF MICRO SWITCH, A DIVISION OF HONEYWELL. THIS DRAWING IS NOT TO BE COPIED OR USED WITHOUT THE APPROVAL OF MICRO SWITCH.

MICRO SWITCH
a Honeywell Division

BRIDGE PRESSURE SENSOR

CATALOG LISTING
26PCFFS2G

FED. MFG. CODE 91929

THIRD ANGLE PROJECTION		
SCALE 3:1		
DO NOT SCALE PRINT		
UNLESS OTHERWISE SPECIFIED TOLERANCES ARE		
ONE PLACE	(.0)	±.030
TWO PLACES	(.00)	±.015
THREE PLACES	(.000)	±.005
ANGLES		±
WEIGHT		