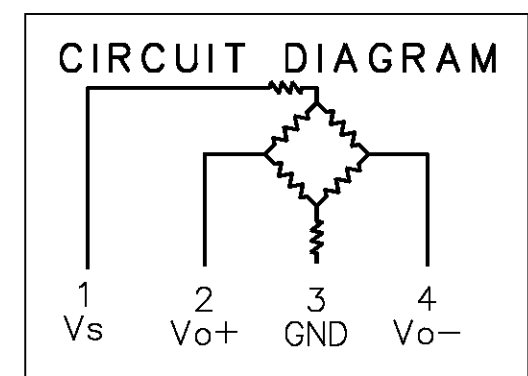
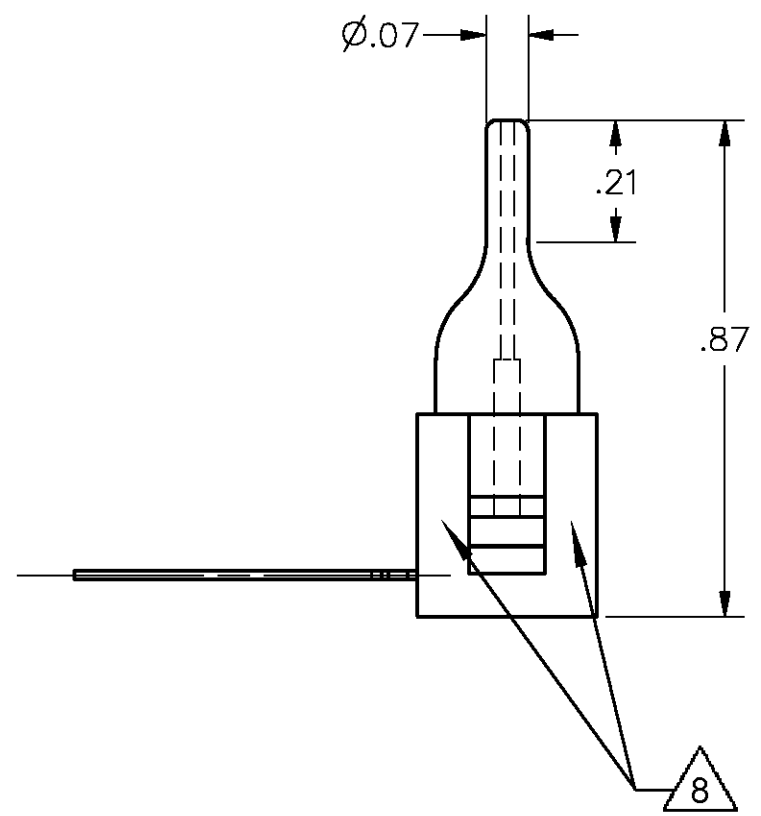
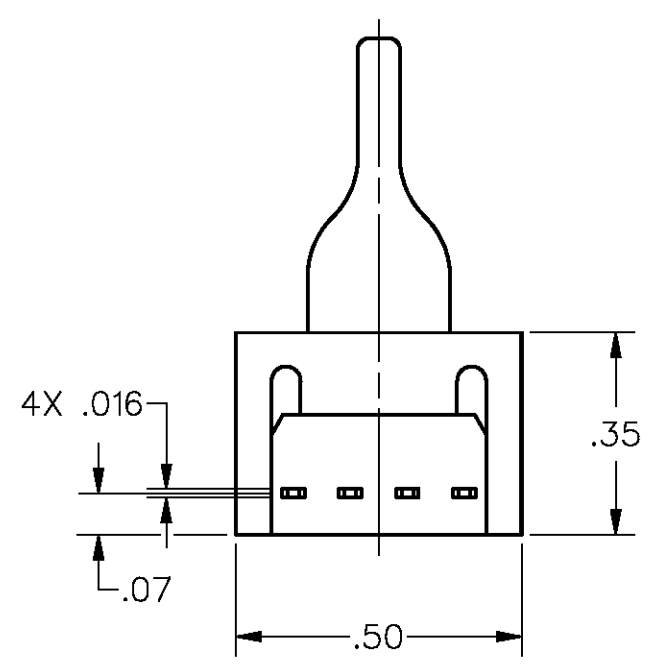
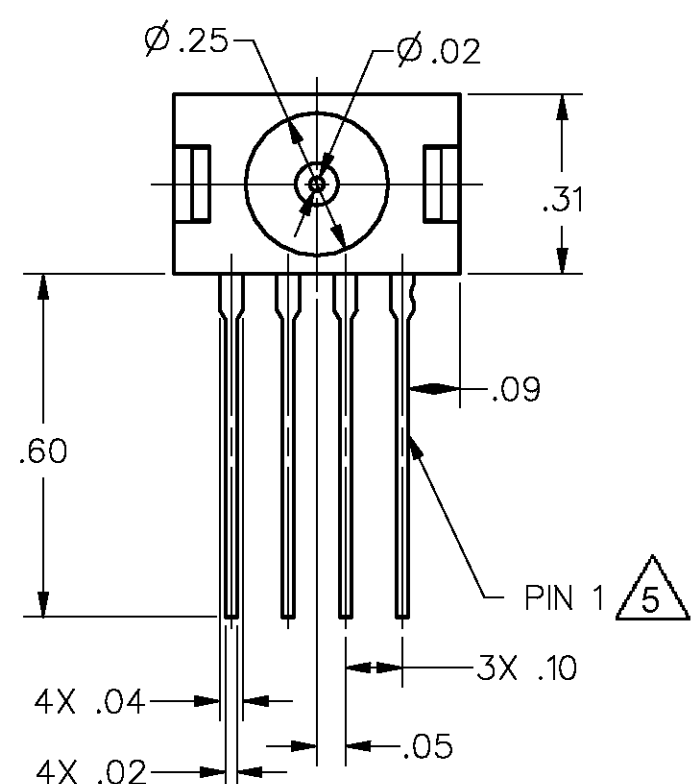


PERFORMANCE CHARACTERISTICS				
(ELECTRICAL PERFORMANCE AT 4.66*0.01 VVDC EXCITATION, 25°C)				
PARAMETERS	MIN	TYP	MIN	UNITS
PRESSURE RANGE	-700		+750	mmHg
SPAN (-700 TO +750 mmHg)	82.6	87	91.4	mV
NULL OFFSET	-0.60	0	+0.60	mV
NULL SHIFT (0°C TO 25°C OR 25°C TO 50°C)			±18	uV/C
SPAN SHIFT (0°C TO 25°C OR 25°C TO 50°C)			±0.02	uV/mmHg/C
LINEARITY			±0.7	%SPAN
REPEATABILITY			±0.04	%SPAN
HYSTERESIS			±0.05	%SPAN
RESPONSE TIME			1.0	ms
OVER PRESSURE	-750		+2250	mmHg
INPUT RESISTANCE		7.5		KOhms
OUTPUT RESISTANCE		2.5		KOhms
LONG TERM STABILITY		±0.35		%SPAN/YR
STORAGE TEMPERATURE	-55°C TO +105°C			
OPERATING TEMPERATURE	-40°C TO +85°C			
COMPENSATED TEMPERATURE	0°C TO +50°C			



INCH	METRIC
.016	0,41
.02	0,5
.04	1,0
.05	1,3
.07	1,8
.09	2,3
.10	2,5
.21	5,3
.25	6,4
.31	7,9
.35	8,9
.50	12,7
.60	15,2
.87	22,1

- NOTES
- SPAN IS THE ALGEBRAIC DIFFERENCE BETWEEN OUTPUT AT -700 AND +750 mmHg.
  - TEMPERATURE ERROR IS CALCULATED WITH RESPECT TO 25°C
  - INPUT MEDIA IS LIMITED TO ONLY THOSE MATERIALS THAT WILL NOT ATTACK SILICONE, THE HOUSING MATERIAL OR SEAL MATERIAL
  - TERMINALS ARE PLATED FOR SOLDERING (LIMIT SOLDERING TO 315°C FOR 10 SECONDS MAXIMUM)
  - PIN 1 IS IDENTIFIED BY NOTCH IN LEAD
  - SENSOR IS OPERATIONAL OVER VACUUM RANGE
  - SENSOR IS RATIO-METRIC TO SUPPLY VOLTAGE
  - CATALOG LISTING AND DATE CODE HERE. CATALOG LISTING BRAND IS 6CF6G23. ALTERNATE FORMAT OF CATALOG LISTING BRAND IS THE ENTIRE CATALOG LISTING

DRAWING NUMBER 26PCCF J6G23  
 PAGE 1 OF 1  
 ISSUE 8  
 RELEASE NO. PR-21788  
 REPLACES  
 CHECK  
 REVISIONS  
 A PR21788  
 J J A  
 18 SEP 96  
 B 204006  
 26 SEP 01  
 C 0007510  
 B W  
 25 AUG 04  
 CHECK  
 25 AUG 04  
 AK  
 CHECK  
 16 SEP 96  
 RASTOR  
 DRAWN

THIS DRAWING COVERS A PROPRIETARY ITEM AND IS THE PROPERTY OF MICRO SWITCH, A DIVISION OF HONEYWELL. THIS DRAWING IS NOT TO BE COPIED OR USED WITHOUT THE APPROVAL OF MICRO SWITCH.

<b>MICRO SWITCH</b> a Honeywell Division <small>FED. MFG. CODE 91929</small>	<b>BRIDGE PRESSURE SENSOR</b>	CATALOG LISTING <b>26PCCF J6G23</b>
--	-----------------------------------	--

MASTER REDUCED  
ANSI Y14.5M-1982 APPLIES

THIRD ANGLE PROJECTION	
SCALE 3 : 1	
DO NOT SCALE PRINT	
<b>UNLESS OTHERWISE SPECIFIED TOLERANCES ARE</b>	
ONE PLACE	(.0) ±.030
TWO PLACES	(.00) ±.015
THREE PLACES	(.000) ±.005
ANGLES	±
WEIGHT	