

MICRO SWITCH
a Honeywell Division

FED. MFG. CODE 91929

SWITCH-ENCLOSED

CATALOG LISTING
1202HE2-R

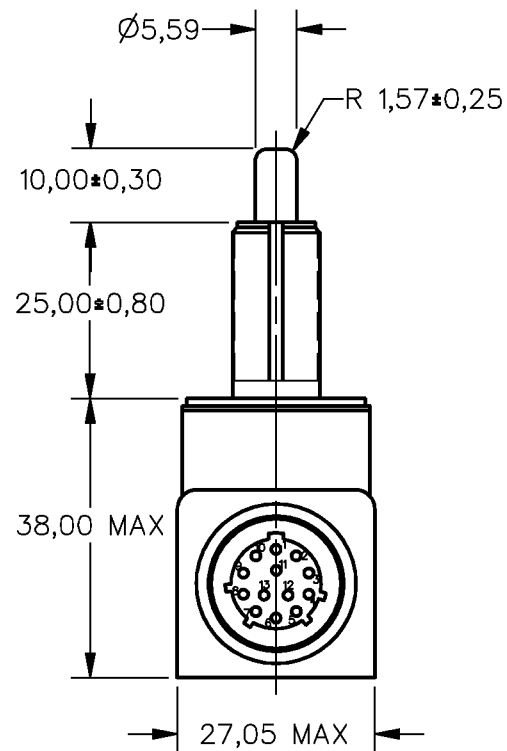
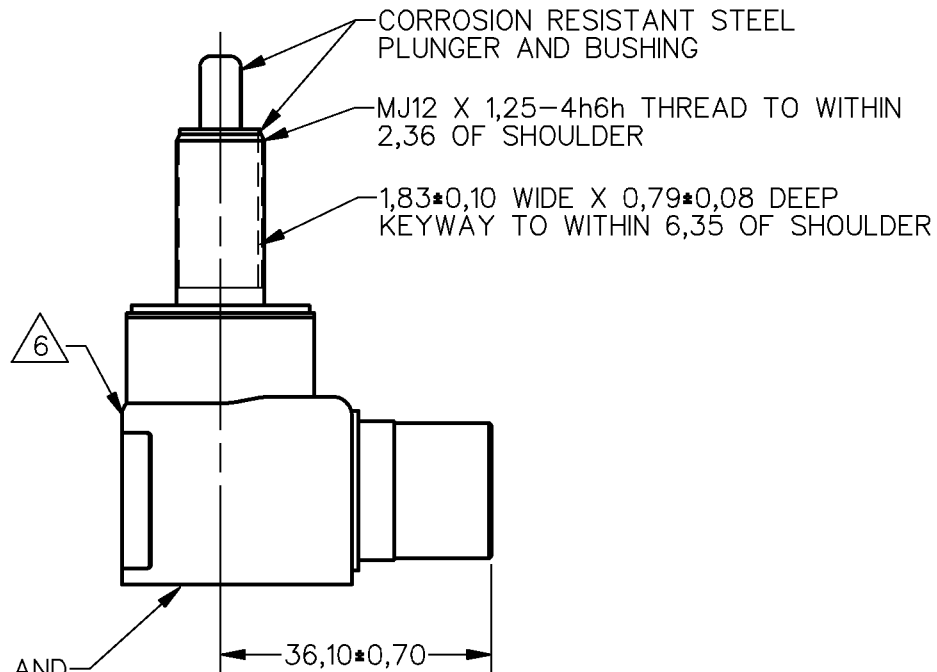
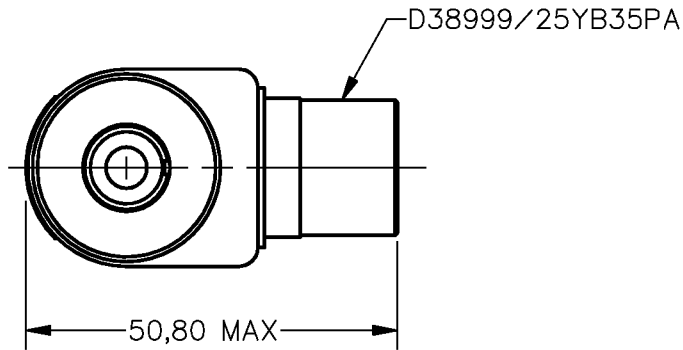
CATALOG LISTING
1202HE2-R

RELEASE NO. PR-20807 REPLACES

ISSUE
M
10

| REVISIONS | CHECK | DATE |
|-----------|----------|-----------|
| A | PR-20807 | 11 NOV 98 |
| B | CO-78044 | 14 FEB 94 |
| C | CO-78739 | 24 MAY 94 |
| D | CO-93626 | 1 JUL 94 |
| | MFC | 11 NOV 98 |

DDM/CAD
DRAWN
T S M 14 FEB 94
CHECK S A V 24 FEB 94
CHECK JAF 11 NOV 98



LEADS EMBEDDED AND SEALED WITH EPOXY CASTING RESIN AND SEALER

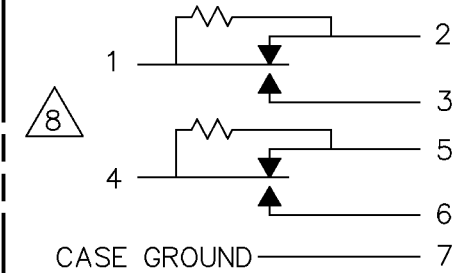
THIS DRAWING COVERS A PROPRIETARY ITEM AND IS THE PROPERTY OF MICRO SWITCH, A DIVISION OF HONEYWELL. THIS DRAWING IS NOT TO BE COPIED OR USED WITHOUT THE APPROVAL OF MICRO SWITCH

| CHARACTERISTICS | |
|-----------------------|---------------------------|
| OPERATING FORCE | 2.7-5.4 Kg (6 - 12 LBS) |
| FULL OVERTRAVEL FORCE | 13.6 Kg MAX (30 LBS MAX) |
| RELEASE FORCE | 1.36 Kg MIN (3 LBS MIN) |
| PRETRAVEL | 0.51-0.75 (0.020 - 0.030) |
| DIFFERENTIAL TRAVEL | 0.50 MAX (0.020 MAX) |
| OVERTRAVEL | 3.17 MIN (1.25 MIN) |

| ELECTRICAL DATA | | |
|-----------------------------|-----------|-----------|
| CONTACT ARRANGEMENT 2X SPDT | | |
| LOAD | 28 VDC | |
| | SEA LEVEL | 50,000 FT |
| RES | 1.0 | 1.0 |
| IND | 0.5 | 0.5 |

| THIRD ANGLE PROJECTION | | | |
|---|--------------|---|----------|
| SCALE FULL | | | |
| DO NOT SCALE PRINT | | | |
| TOLERANCES | | | |
| APPLY TO DESIGN UNITS. CONVERSIONS ARE ONLY FOR REFERENCE. UNLESS NOTED, TOLERANCES ARE ± | | | |
| DIM. | TOL. | DIM. | TOL. |
| mm | mm/in | in | mm/in |
| NO PLACES | X 1/04 | XX | 0.8/03 |
| ONE PLACE | XX 0.4/016 | XXX | 0.38/015 |
| TWO PLACES | XXX 0.15/006 | XXXX | 0.13/005 |
| THREE PLACES | | | |
| ANGLES | | | |
| SI METRIC | | US CUSTOMARY | |
| DESIGN UNITS | | <input checked="" type="checkbox"/> SI METRIC <input type="checkbox"/> US CUSTOMARY | |
| WEIGHT .10 Kg MAX | | | |

ANSI Y14.5M-1982 APPLIES



CIRCUIT DIAGRAM

NOTES

- 1 - CORROSION RESISTANT STEEL ENCLOSURE
- 2 - SWITCH SEALED PER MIL-S-8805 SYMBOL 5
- 3 - COINCIDENCE OF OPERATING AND RELEASING POINTS: .25 mm / .010 IN OF PLUNGER TRAVEL
- 4 - CIRCUIT DIAGRAM AND CATALOG LISTING ARE SHOWN ON NAMEPLATE
- 5 - OPERATION IN TEMPERATURE RANGE OF -55°C TO +125°C
- 6 COLOR SHALL BE LUSTERLESS BLACK, COLOR NO. 37031, PER MIL-C-46168
- 7 BASIC SWITCHES HAVE GOLD BIFURCATED CONTACTS
- 8 10K OHM RESISTOR PER MIL-R-55182 ACROSS 1, 2 AND 4, 5 (DIELECTRIC WILL NOT BE CHECKED BETWEEN TERMINALS 1, 2 AND 4, 5)