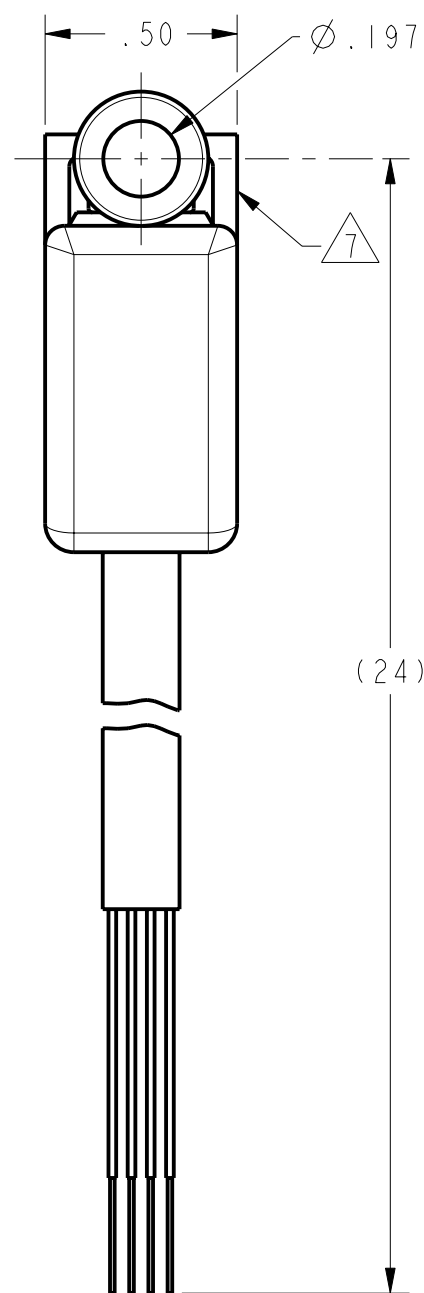
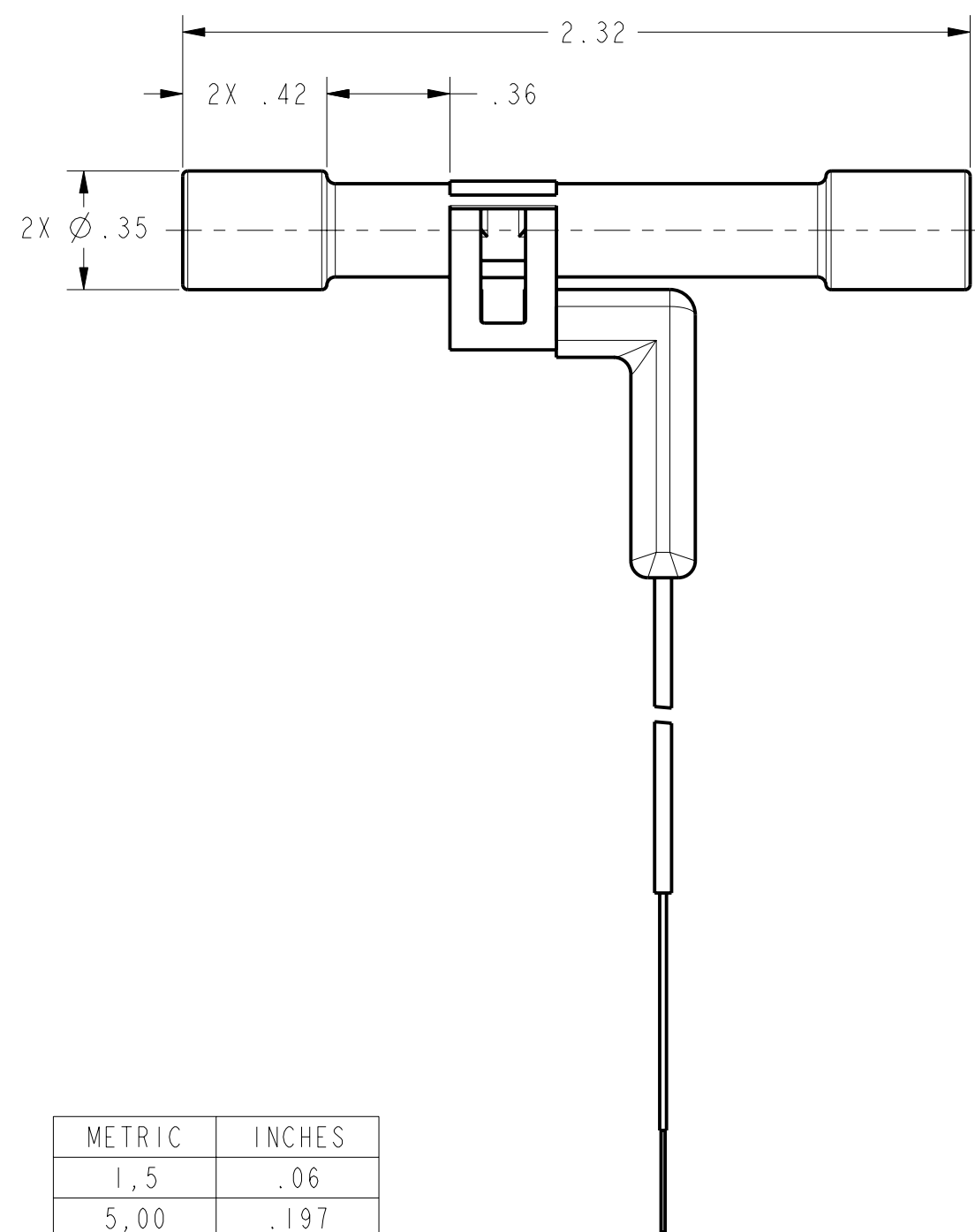


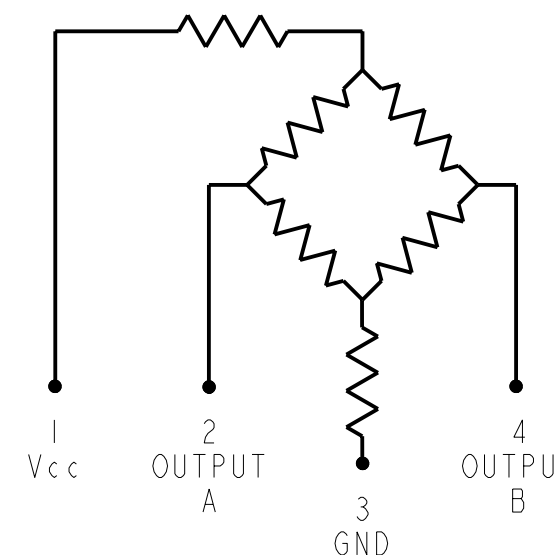
REV	DOCUMENT	CHANGED BY	CHECK
1	200941	WJC 30AUG00	SAV
2	204006	TSM 25SEP01	SAV



RED (POSITIVE +)  
 WHITE (Vout +)  
 BLACK (NEGATIVE -)  
 GREEN (Vout -)

METRIC	INCHES
1,5	.06
5,00	.197
8,9	.35
9,1	.36
10,9	.43
12,7	.50
58,9	2.32
609,60	24.000

**CIRCUIT DIAGRAM**



OUTPUT "A"  
 INCREASES AS P2  
 PRESSURE INCREASES

OUTPUT "B"  
 DECREASES AS P2  
 PRESSURE INCREASES

**GENERAL OPERATING CHARACTERISTICS**

(ELECTRICAL PERFORMANCE AT 10.00±0.01 VDC EXCITATION, 25°C)

PRESSURE RANGE (PSI)	0-38 (AT 15PSI)			UNITS
	MIN	NOM	MAX	
SPAN (P2>P1) <sup>1</sup>	37.5	39.5	41.5	mV
NULL OFFSET	-1.5	0	+1.5	mV
		TYP	MAX	UNITS
LINEARITY (BFSL, P2>P1)		0.1	0.5	%SPAN
NULL SHIFT (0 TO 25°C, 25 TO 50°C) <sup>2</sup>		±0.7	±1.5	mV
SPAN SHIFT (0 TO 25°C, 25 TO 50°C) P2>P1 <sup>2</sup>		±1.0	±1.5	%SPAN
REPEATABILITY AND HYSTERESIS		±0.2		%SPAN
OVERPRESSURE (P2>P1; P1>P2)			60	PSI

ALL PRESSURE RANGE	MIN	TYP	MAX	UNITS
EXCITATION VOLTAGE		10	16	VDC
INPUT RESISTANCE	5.5K	7.5K	11.5K	OHMS
OUTPUT RESISTANCE	1.5K	2.5K	3.0K	OHMS
RESPONSE TIME			1.0	ms

**TEMPERATURE RANGES**

STORAGE	-55°C TO +100°C (-67°F TO +212°F)
OPERATE	-40°C TO +85°C (-40°F TO +185°F)
COMPENSATED	0 TO +50°C (+32°F TO +122°F)

**NOTES**

- <sup>1</sup> SPAN IS THE ALGEBRAIC DIFFERENCE BETWEEN OUTPUT AT MINIMUM RATED OPERATING PRESSURE AND OUTPUT AT 0 PSI
- <sup>2</sup> TEMPERATURE ERROR IS CALCULATED WITH RESPECT TO 25°C
- 3 - INPUT MEDIA LIMITED ONLY TO THOSE MATERIALS THAT WILL NOT ATTACK SILICON, THE HOUSING MATERIAL OR SEAL MATERIAL
- 4 - SENSOR IS OPERATIONAL OVER VACUUM PRESSURE RANGE
- 5 - RATIO METRIC TO SUPPLY VOLTAGE
- 6 - PIN 1 IS IDENTIFIED BY RED WIRE
- <sup>7</sup> CATALOG LISTING AND DATE CODE HERE. CATALOG LISTING BRANDED AS 6JF5G. ALTERNATE FORMAT OF CATALOG LISTING BRAND IS ENTIRE CATALOG LISTING

UNLESS OTHERWISE SPECIFIED TOLERANCES ARE:	<input checked="" type="checkbox"/> US (inch) CUSTOMARY	<input type="checkbox"/> SI (mm) METRIC	DRAWN	WJC	30AUG00	<b>Honeywell</b> Sensing and Control								
NO PLACE	X	±.040 ±1	CHECK	SAV	30AUG00				<b>BRIDGE PRESSURE SENSOR</b>					
ONE PLACE	.X	±.030 ±0,4	THIS DRAWING COVERS A PROPRIETARY ITEM AND IS THE PROPERTY OF HONEYWELL SENSING AND CONTROL. THIS DRAWING IS NOT TO BE COPIED OR USED WITHOUT THE PERMISSION OF HONEYWELL.			SIZE	DWG TYPE	DRAWING NAME				REV		
TWO PLACE	.XX	±.015 ±0,15				DIMENSIONS ARE TO BE MET BEFORE PROTECTIVE COATINGS ARE APPLIED			<b>C</b>	<b>M</b>	<b>26PCJFU5G</b>	<b>2</b>		
THREE PLACE	.XXX	±.005 ±							3D PTC	ASME Y14.5M-1994	SCALE	2:1	WEIGHT	SHEET
ANGLES	±	±												1 OF 1
RAW MATERIAL-COMMERCIAL STANDARD														

THIRD ANGLE PROJECTION

