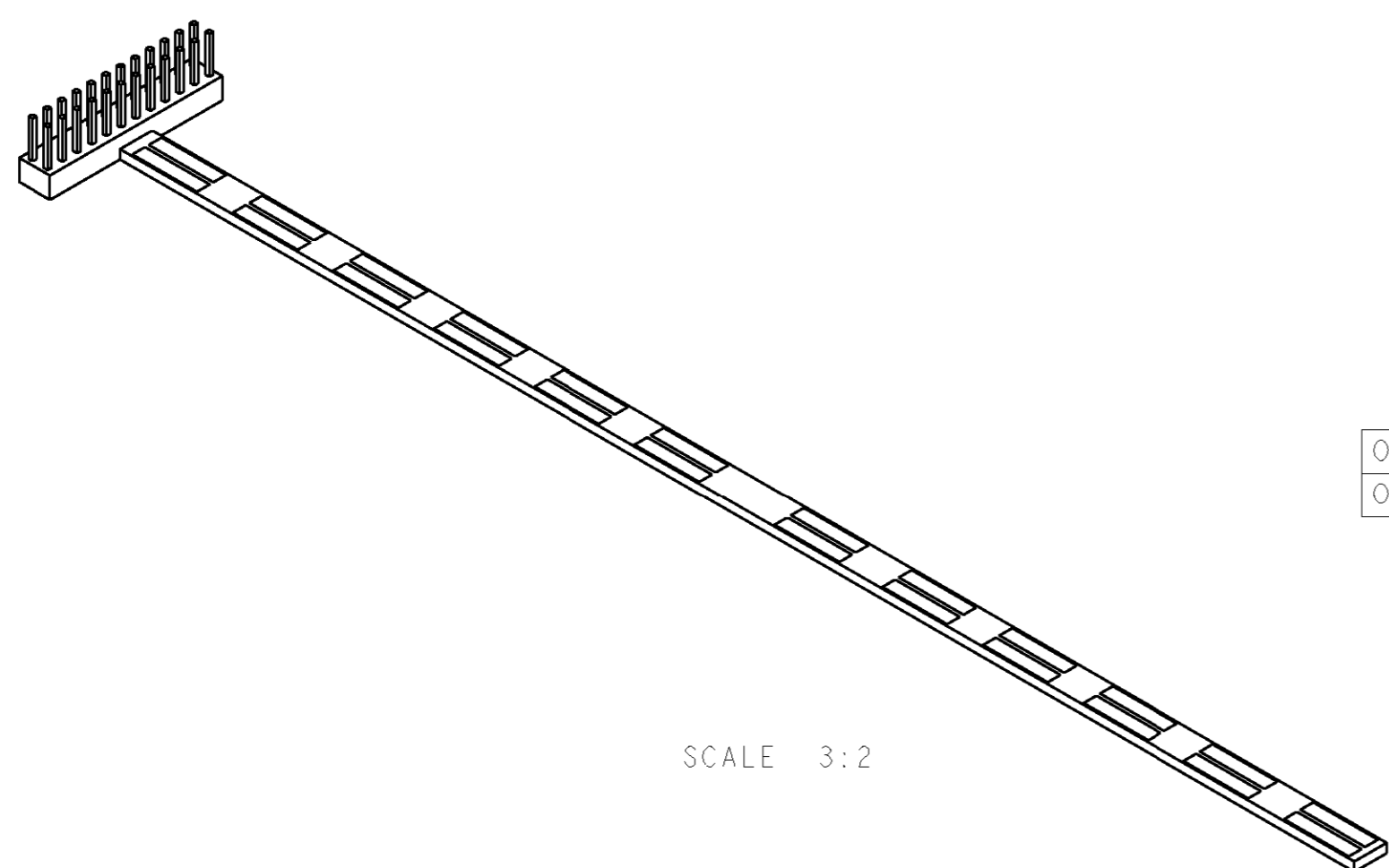
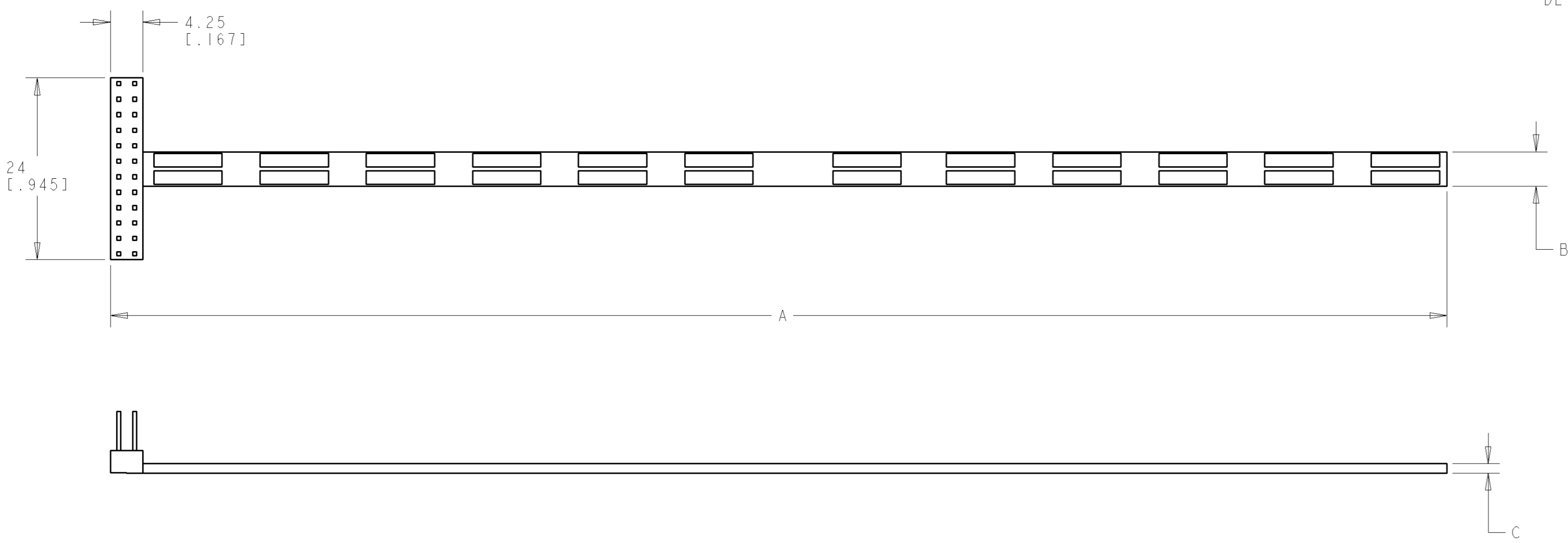


THIS DRAWING IS UNPUBLISHED. RELEASED FOR PUBLICATION 20  
 © COPYRIGHT 20 BY TYCO ELECTRONICS CORPORATION. ALL RIGHTS RESERVED.

LOC	DIST	REVISIONS					
HM	00	P	LTR	DESCRIPTION	DATE	DWN	APVD
		L		REV; EC 0B60-0112-04	28JAN2005	GG	MD
		M		REV; ECR-05-007020	27JUL2005	GG	MD
		N		REV; ECR-05-007730	01AUG2005	GG	MD
		P		REV; ECR-06-017855	30OCT2006	WS	JC

- PLEASE CONSULT AMP NETCONNECT TO DETERMINE WHAT PRODUCTS A SPECIFIC SENSOR STRIP IS USED WITH. INFORMATION CAN BE OBTAINED VIA [HTTP://AMPNETCONNECT.COM/AMPTRAC](http://AMPNETCONNECT.COM/AMPTRAC) OR AT 1-800-553-0938.
- IMAGE SHOWN IS FOR REPRESENTATION ONLY AND IS GENERIC FOR 1435346-2 AND -3. PART NUMBERS 1435346-1, -4 AND -5 ARE SHOWN IN DETAIL ON PAGE 2, 3 AND 4 RESPECTIVELY.



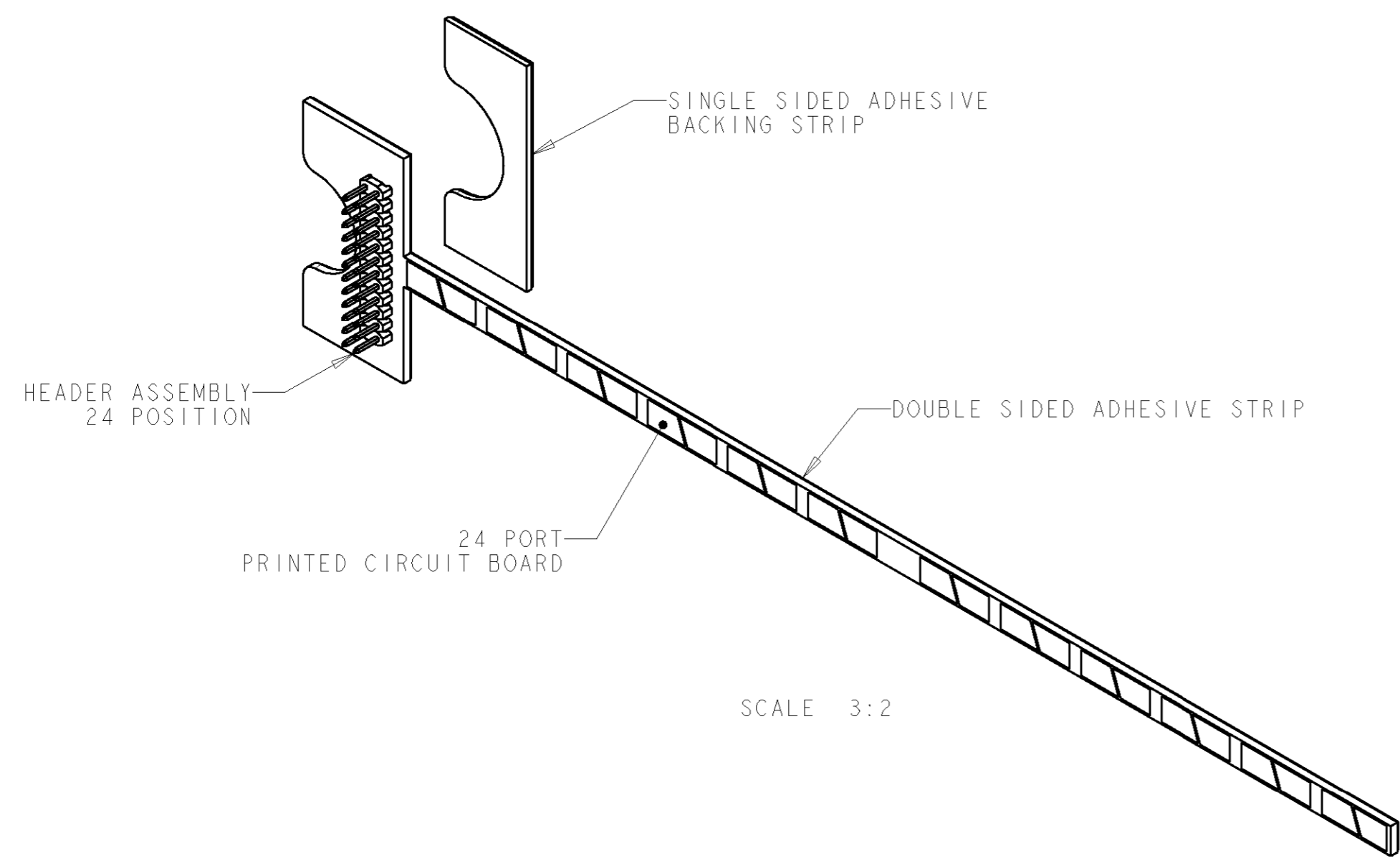
SCALE 3:2

QTY	C	B	A	DESCRIPTION	PART NUMBER	
OBSOLETE	1	1.5 [.059]	3.0 [.118]	202.0 [7.953]	AMPTRAC SENSOR, PCB, 24 PORT	1435346-3
OBSOLETE	1	-	-	-	AMPTRAC SENSOR, PCB, 24 PORT	1435346-2

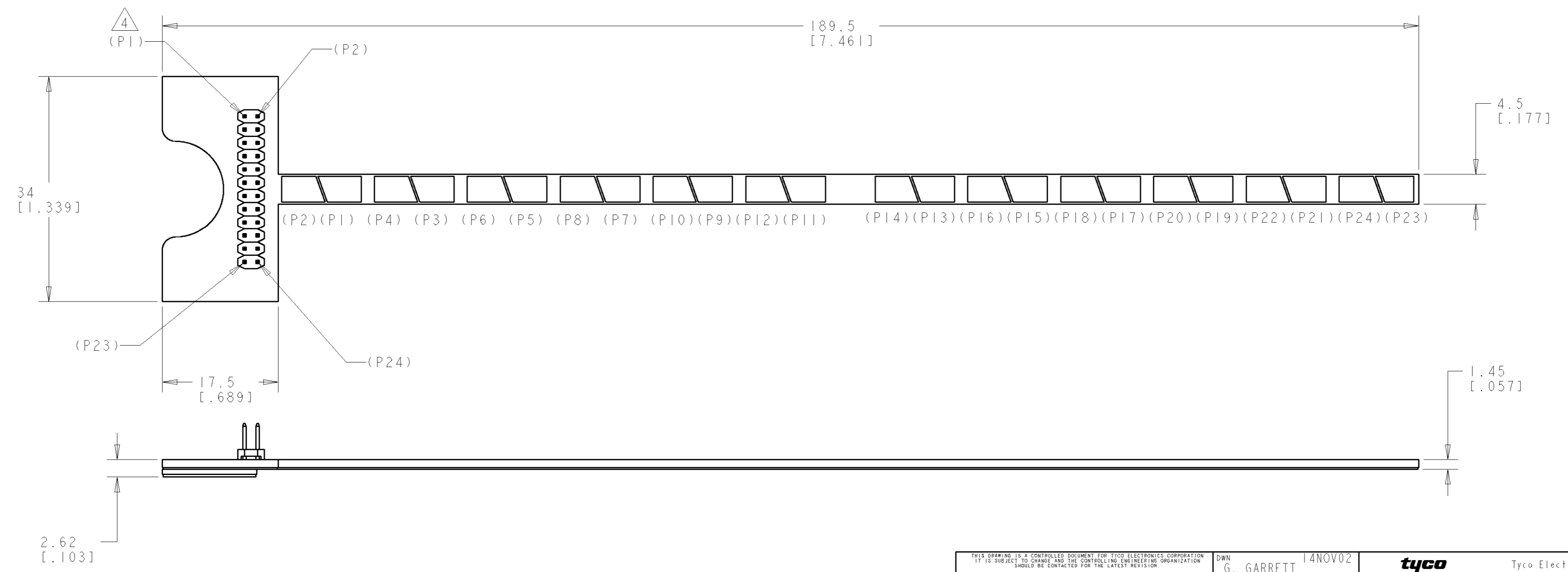
<small>THIS DRAWING IS A CONTROLLED DOCUMENT FOR TYCO ELECTRONICS CORPORATION. IT IS SUBJECT TO CHANGE AND THE CONTROLLING ENGINEERING ORGANIZATION SHOULD BE CONTACTED FOR THE LATEST REVISION.</small>		DWN G. GARRETT 14NOV02 CHK M. DELPHIAS 14NOV02 APVD M. DELPHIAS 14NOV02	<b>tyco</b> <b>Electronics</b> Tyco Electronics Harrisburg, PA 17105-3608
DIMENSIONS: MM [INCHES]	TOLERANCES UNLESS OTHERWISE SPECIFIED: 0 PLC ± 1 PLC ± 2 PLC ± 3 PLC ± 4 PLC ± ANGLES ± FINISH	PRODUCT SPEC APPLICATION SPEC WEIGHT	NAME AMPTRAC SENSOR, PCB, 24 PORT SIZE A2 CAGE CODE 00779 DRAWING NO. 1435346 RESTRICTED TO
MATERIAL		CUSTOMER DRAWING	SCALE 2:1 SHEET 1 OF 4 REV P

THIS DRAWING IS UNPUBLISHED. RELEASED FOR PUBLICATION 20  
 © COPYRIGHT 20 BY TYCO ELECTRONICS CORPORATION. ALL RIGHTS RESERVED.

LOC	DIST	REVISIONS					
HM	00	P	LTR	DESCRIPTION	DATE	DWN	APVD
		-		SEE SHEET 1			



- 1 MATERIAL:  
 PRINTED CIRCUIT BOARD - LAMINATED PLASTIC FR-4, 1.2 [.047] THICK.  
 ADHESIVE TAPE - MYLAR, 0.25 [.010] THICK.  
 BACKING STRIP ASSEMBLY - FR-4 WITH MYLAR, 1.17 [.046] THICK.  
 HOUSING - THERMOPLASTIC, UL94V-0, BLACK.  
 CONTACTS - COPPER ALLOY.
- 2 ALL DIMENSIONS SHOWN ARE NOMINAL.
- 3 PARENTHESIS ( ) ARE FOR REFERENCE ONLY. NOT SHOWN ON BOARD.
- 4 (P\_) CALLOUTS ARE FOR PIN TO PAD REFERENCE ONLY.

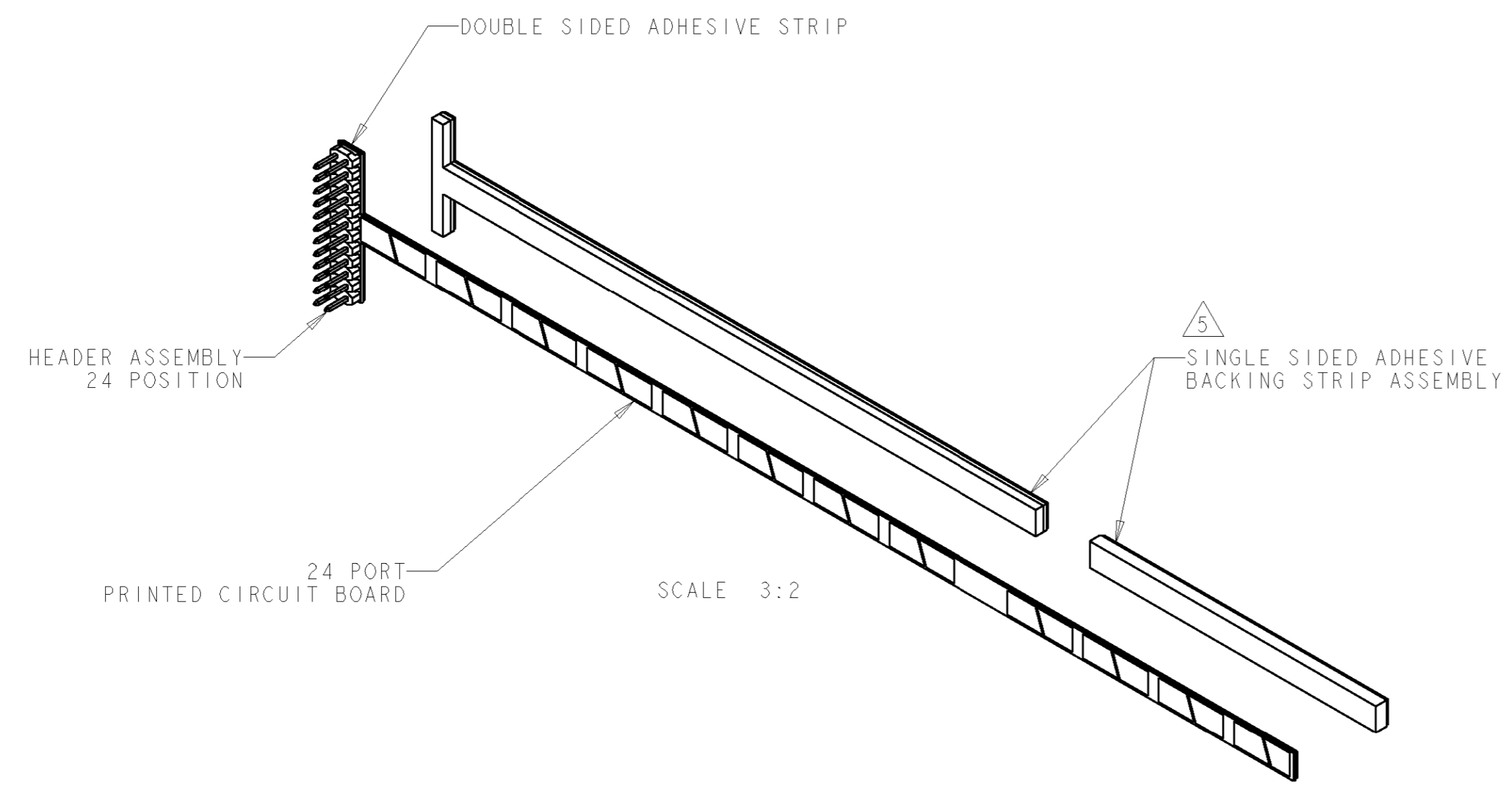


1435346-1  
 PART NUMBER

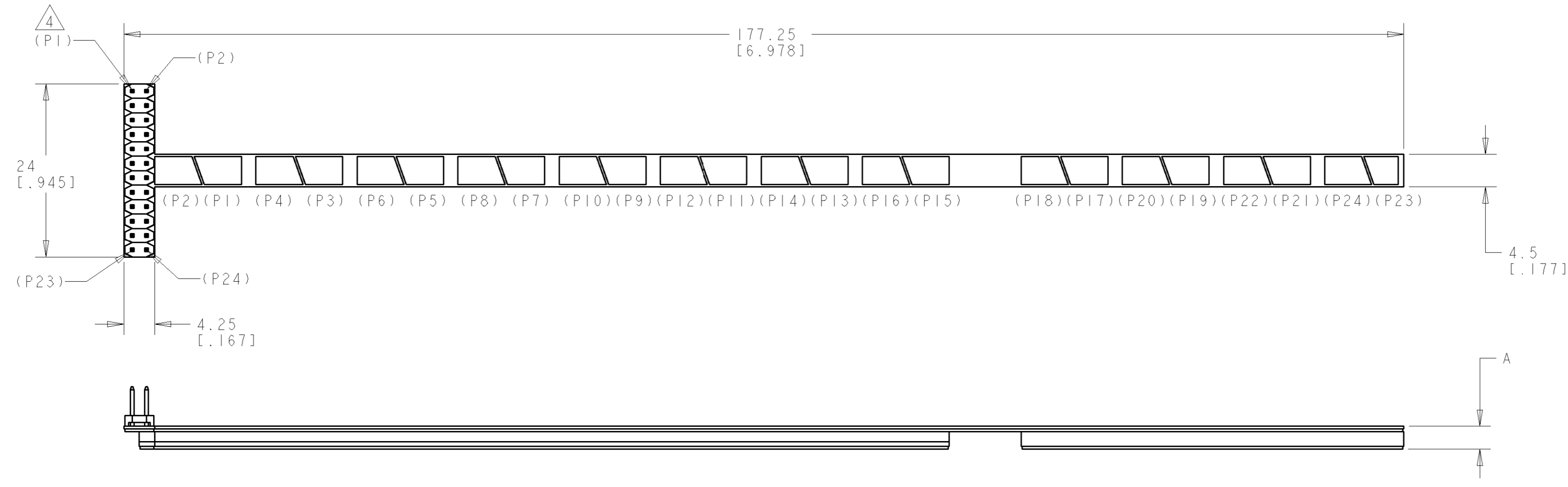
<small>THIS DRAWING IS A CONTROLLED DOCUMENT FOR TYCO ELECTRONICS CORPORATION. IT IS SUBJECT TO CHANGE AND THE CONTROLLING ENGINEERING ORGANIZATION SHOULD BE CONTACTED FOR THE LATEST REVISION.</small>		DWN G. GARRETT 14NOV02 CHK M. DELPHIAS 14NOV02 APVD M. DELPHIAS 14NOV02	<b>tyco</b> Electronics Tyco Electronics Harrisburg, PA 17105-3608
DIMENSIONS: MM [INCHES]	TOLERANCES UNLESS OTHERWISE SPECIFIED: 0 PLC ± 1 PLC ± 2 PLC ± 3 PLC ± 4 PLC ± ANGLES ± FINISH	PRODUCT SPEC - APPLICATION SPEC - WEIGHT -	NAME AMPTRAC SENSOR, PCB, 24 PORT SIZE A2 CAGE CODE 00779 DRAWING NO. 1435346 RESTRICTED TO - CUSTOMER DRAWING SCALE 2:1 SHEET 2 OF 4 REV P

THIS DRAWING IS UNPUBLISHED. RELEASED FOR PUBLICATION 20  
 © COPYRIGHT 20 BY TYCO ELECTRONICS CORPORATION. ALL RIGHTS RESERVED.

LOC	DIST	REVISIONS					
HM	00	P	LTR	DESCRIPTION	DATE	DWN	APVD
		-		SEE SHEET 1	-	-	-



- 1 MATERIAL:  
PRINTED CIRCUIT BOARD - LAMINATED  
PLASTIC FR-4, 0.4 [.016] THICK.  
ADHESIVE TAPE - MYLAR, 0.25 [.010] THICK.  
BACKING STRIP ASSEMBLY - FR-4 WITH MYLAR,  
2.4 [.094] THICK.  
HOUSING - THERMOPLASTIC, UL94V-0, BLACK.  
CONTACTS - COPPER ALLOY.
- 2 ALL DIMENSIONS SHOWN ARE NOMINAL.
- 3. PARENTHESIS ( ) ARE FOR REFERENCE ONLY.  
NOT SHOWN ON BOARD.
- 4 (P\_) CALLOUTS ARE FOR PIN TO PAD  
REFERENCE ONLY.
- 5 1435346-4 SHIPPED WITH 2 DIFFERENT  
THICKNESS BACKING STRIP ASSEMBLIES.

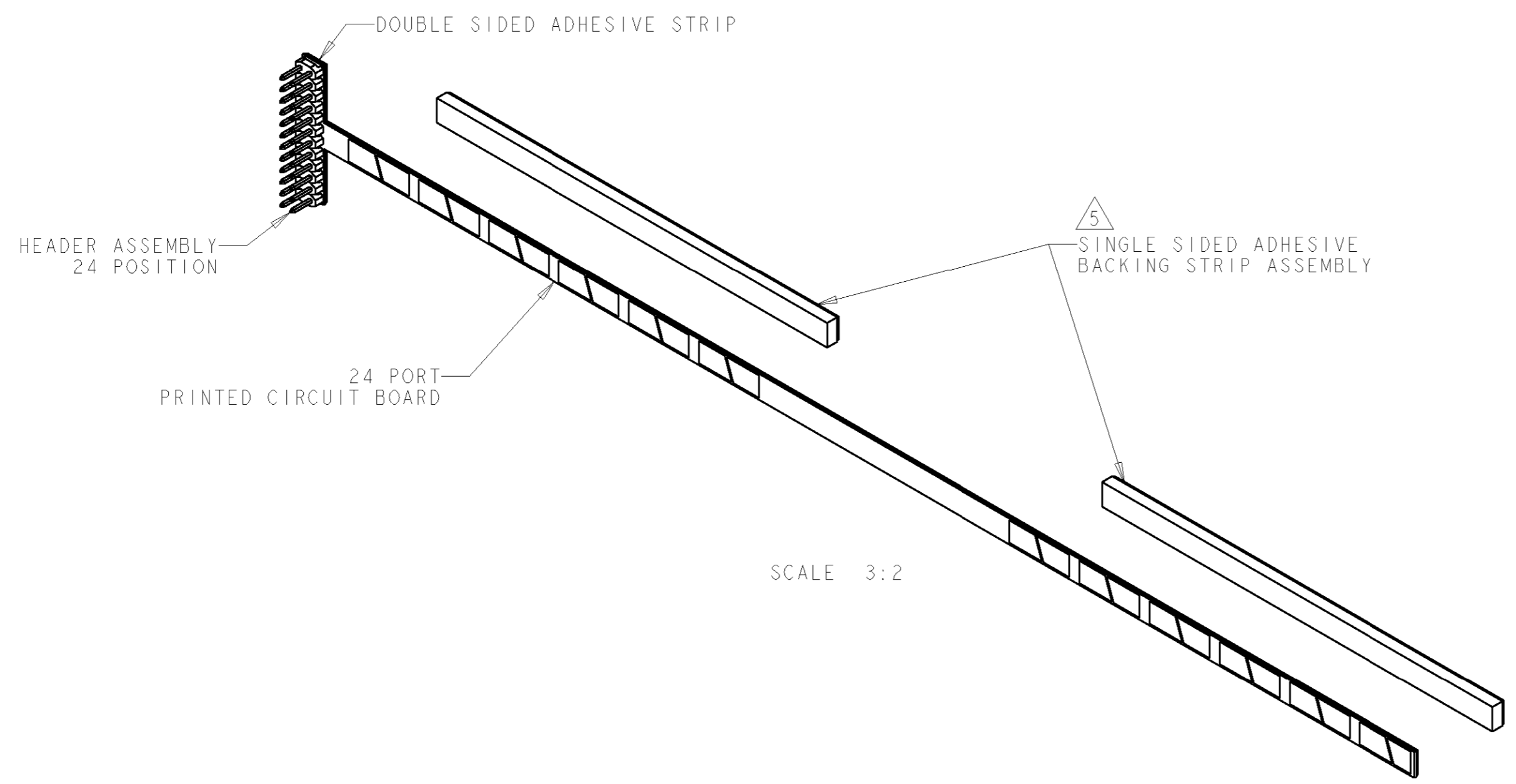


3.05 [.120] WITH THICK BACKING 1.65 [.065] WITH THIN BACKING	1435346-4
A 5	
PART NUMBER	

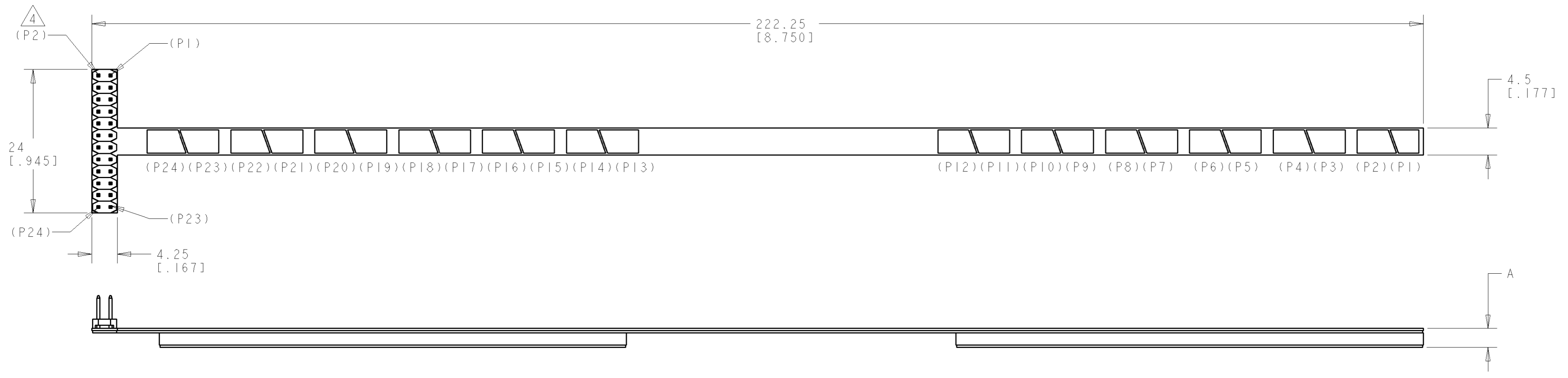
THIS DRAWING IS A CONTROLLED DOCUMENT FOR TYCO ELECTRONICS CORPORATION IT IS SUBJECT TO CHANGE AND THE CONTROLLING ENGINEERING ORGANIZATION SHOULD BE CONTACTED FOR THE LATEST REVISION.		DWN G. GARRETT 14NOV02	Tyco Electronics Harrisburg, PA 17105-3608
DIMENSIONS: MM [INCHES]		CHK M. DELPHIAS 14NOV02	
TOLERANCES UNLESS OTHERWISE SPECIFIED:		APVD M. DELPHIAS 14NOV02	
0 PLC ± 1 PLC ± 2 PLC ± 3 PLC ± 4 PLC ± ANGLES ± FINISH ±		PRODUCT SPEC - APPLICATION SPEC -	
MATERIAL		WEIGHT -	NAME AMPTRAC SENSOR, PCB, 24 PORT
A 1		SIZE A2	RESTRICTED TO -
CUSTOMER DRAWING		CAGE CODE 00779	DRAWING NO 1435346
		SCALE 1:1	SHEET 3 OF 4 REV P

THIS DRAWING IS UNPUBLISHED. RELEASED FOR PUBLICATION 20  
 © COPYRIGHT 20 BY TYCO ELECTRONICS CORPORATION. ALL RIGHTS RESERVED.

LOC	DIST	REVISIONS					
HM	00	P	LTR	DESCRIPTION	DATE	DWN	APVD
		-		SEE SHEET 1			



- 1 MATERIAL:  
 PRINTED CIRCUIT BOARD - LAMINATED PLASTIC FR-4, 0.4 [0.016] THICK.  
 ADHESIVE TAPE - MYLAR, 0.25 [0.010] THICK.  
 BACKING STRIP ASSEMBLY - FR-4 WITH MYLAR, 2.4 [0.094] THICK.  
 HOUSING - THERMOPLASTIC, UL94V-0, BLACK.  
 CONTACTS - COPPER ALLOY.
- 2 ALL DIMENSIONS SHOWN ARE NOMINAL.
- 3 PARENTHESIS ( ) ARE FOR REFERENCE ONLY. NOT SHOWN ON BOARD.
- 4 (P\_) CALLOUTS ARE FOR PIN TO PAD REFERENCE ONLY.
- 5 1435346-5 SHIPPED WITH 2 DIFFERENT THICKNESS BACKING STRIP ASSEMBLIES.



3.05 [0.120] WITH THICK BACKING	1435346-5
1.65 [0.065] WITH THIN BACKING	
A 5	
PART NUMBER	

<small>THIS DRAWING IS A CONTROLLED DOCUMENT FOR TYCO ELECTRONICS CORPORATION. IT IS SUBJECT TO CHANGE AND THE CONTROLLING ENGINEERING ORGANIZATION SHOULD BE CONTACTED FOR THE LATEST REVISION.</small>		DWN G. GARRETT 14NOV02 CHK M. DELPHIAS 14NOV02 APVD M. DELPHIAS 14NOV02	<b>tyco</b> Electronics Tyco Electronics Harrisburg, PA 17105-3608
DIMENSIONS: MM [INCHES]	TOLERANCES UNLESS OTHERWISE SPECIFIED: 0 PLC ± 1 PLC ± 2 PLC ± 3 PLC ± 4 PLC ± ANGLES ± FINISH ±	PRODUCT SPEC - APPLICATION SPEC - WEIGHT -	NAME AMPTRAC SENSOR, PCB, 24 PORT SIZE A2 CAGE CODE 00779 DRAWING NO. 1435346 RESTRICTED TO -
MATERIAL 1 -		CUSTOMER DRAWING	SCALE 1:1 SHEET 4 OF 4 REV P