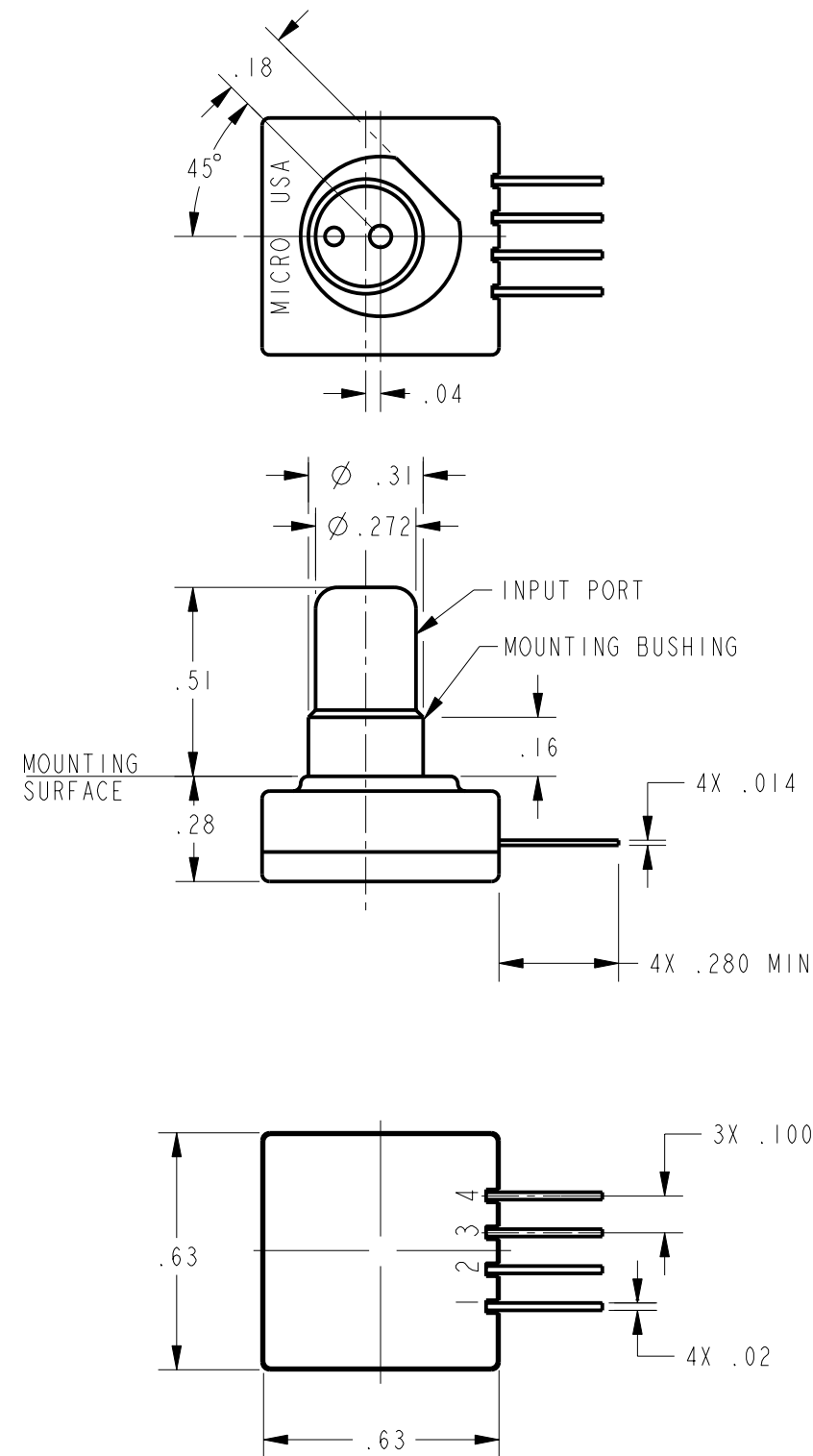


GENERAL OPERATING CHARACTERISTICS

PRESSURE RANGE	0 TO 775 mmHg (0 TO 15 PSIA)
OVERPRESSURE	2325 mmHg (45 PSIA)
TEMPERATURE RANGES	
STORAGE	-55°C TO +125°C
OPERATE	-40°C TO +85°C
COMPENSATED	0°C TO +50°C
SUPPLY VOLTAGE	16 VDC MAX
INPUT RESISTANCE	6800 OHM TYP

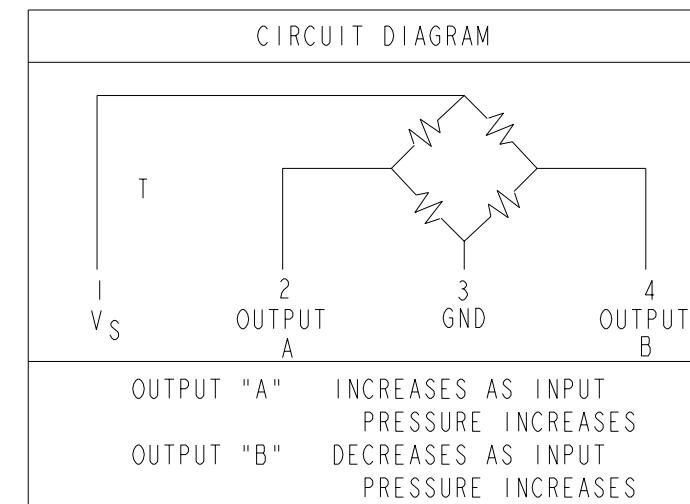
ELECTRICAL PERFORMANCE @ 25°C AND 10.00±.01 VDC SUPPLY

OUTPUT VOLTAGE	
NULL (0 PSIA)	.000 mV TYP
REFERENCE (2 PSIA)	-5.33±2.0 mV
FULL SCALE (15 PSIA)	-40.0 VDC TYP
SPAN (2 TO 15 PSIA)	-34.667±2.500 mV
SENSITIVITY	2.67 mV/PSI TYP
LINEARITY (B.F.S.L.)	±0.25% SPAN MAX
HYSTERESIS & REPEATABILITY	±0.1% SPAN TYP
TEMPERATURE ERROR (0°C TO +50°C)	
NULL SHIFT	±2.0 mV MAX
SPAN SHIFT	±3.0% SPAN MAX



NOTES

- 1 - TERMINALS ARE PLATED FOR SOLDERING
- 2 - LIMIT SOLDERING TO 315°C MAX FOR 10 SECONDS MAX
- 3 - INPUT MEDIA DRY GASES ONLY; CONNECTION SIDE OF SENSOR



THIRD ANGLE PROJECTION	
SCALE	2:1
DO NOT SCALE PRINT	
UNLESS OTHERWISE SPECIFIED TOLERANCES ARE	
ONE PLACE	(.0) ±.030
TWO PLACE	(.00) ±.015
THREE PLACE	(.000) ±.005
ANGLES	±
WEIGHT	

PTC/CAD 2D
 DRAWN
 C S L 15 APR 02
 CHECK
 SAV 15 APR 02
 CHECK
 REVISIONS
 A 207062
 TSM
 18DEC02
 ISSUE 2
 M
 CATALOG LISTING
 136PC15A2L
 PAGE 1 OF 1
 RELEASE NO. 204744
 REPLACES -