

 Harrisburg, PA 17105-3608		PART NO. 1432867-1		SHT. 1 OF 2	
DRAWN E. SIMPSON	APPROVAL B. TOEPFER	DATE FIRST DRAWN 06-17-06	SCALE 1:1	CUSTOMER DATA TYCO-STANDARD	
TOLERANCE UNLESS SPECIFIED OTHERWISE	O.X = +/- O.XX = +/- O.XXX = +/- ANGLES = +/-			CHANGES	
		REV.	DATE	CO	APP.
			06-17-06	RELEASE	B.T.
			11-15-06	MATL CHG	L.B.

DO NOT SCALE THIS DRAWING

ELECTRICAL CHARACTERISTICS: (ALL DATA APPLIES @ 23°C UNLESS OTHERWISE SPECIFIED)

COIL DATA:

NOMINAL VOLTAGE: 12 VDC
 OPERATE VOLTAGE: 7.8 VDC MAXIMUM
 RELEASE VOLTAGE: 1.2 VDC MINIMUM
 COIL RESISTANCE: 90 OHMS +/- 10%
 OPERATE TIME: 8 mSEC. MAXIMUM EXCLUDING BOUNCE
 RELEASE TIME: 5 mSEC. MAXIMUM EXCLUDING BOUNCE
 TEMPERATURE RANGE: OPERATING -40°C TO +85°C

CONTACT DATA:

CONTACT ARRANGEMENT: 1 FORM A (SPST)
 CONTACT MATERIAL: AgSnO (SILVER TIN-OXIDE)
 CONTACT MILLIVOLT DROP: 200mv @ 35A (AFTER SWITCHING)
 MAXIMUM MAKE CURRENT: 90A (LAMP) @ 16 VDC
 MAXIMUM BREAK CURRENT: 40A @ 16 VDC RESISTIVE
 MAXIMUM CONTINUOUS CURRENT: 40A @ 23°C , 35A @ 85°C
 INITIAL BREAKDOWN CURRENT: 500V RMS CONTACTS TO COIL

EXPECTED LIFE:

100,000 OPERATIONS, 40 A, 14 VDC RESISTIVE

MECHANICAL CHARACTERISTICS:

EXPECTED LIFE:

10 MILLION OPERATIONS, NO CONTACT LOAD

TERMINALS

PLATED BRASS

ENCLOSURE:

EPOXY SEALED



DRAWN E.SIMPSON	APPROVAL B. TOEPFER	DATE FIRST DRAWN 06-17-06	SCALE 1:1
--------------------	------------------------	------------------------------	--------------

TOLERANCE UNLESS SPECIFIED OTHERWISE	0.X = +/-
	0.XX = +/-
	0.XXX = +/-
	ANGLES = +/-

MARKING TO INCLUDE:
 TYCO NAME, TYCO PART NUMBER, SCHEMATIC,
 COIL VOLTAGE, COUNTRY OF ORIGIN, AND DATE CODE

CUSTOMER DATA

CUSTOMER TYCO-STADARD



DO NOT SCALE THIS DRAWING

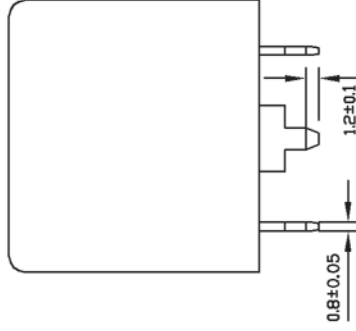
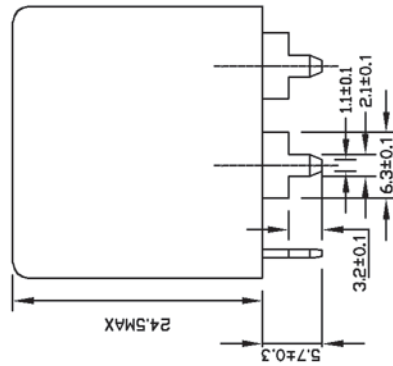
PART NO.

1432867-1

REV B

MILLIMETERS

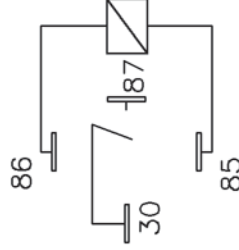
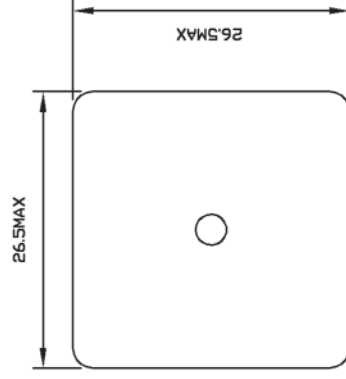
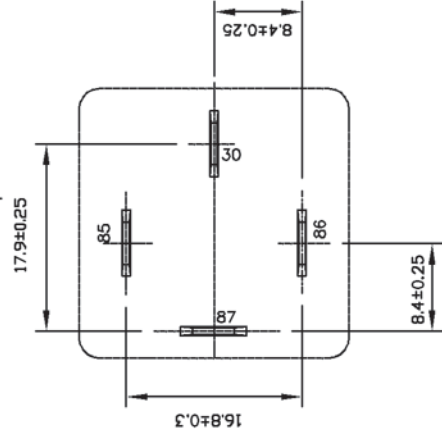
SHT. 2
OF 2



* TERMINAL LOCATIONS
 APPLY AT THE BASE
 OF THE TERMINALS

↑ K

K Aspect



Schematic Drawing
 (Bottom views)