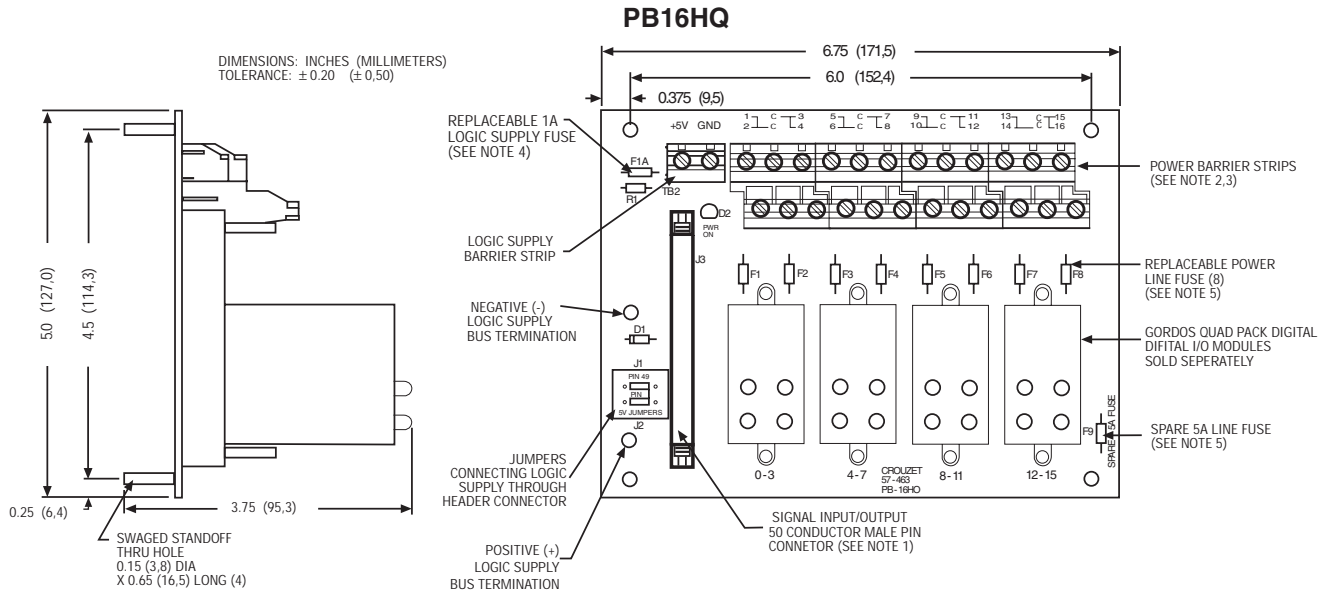
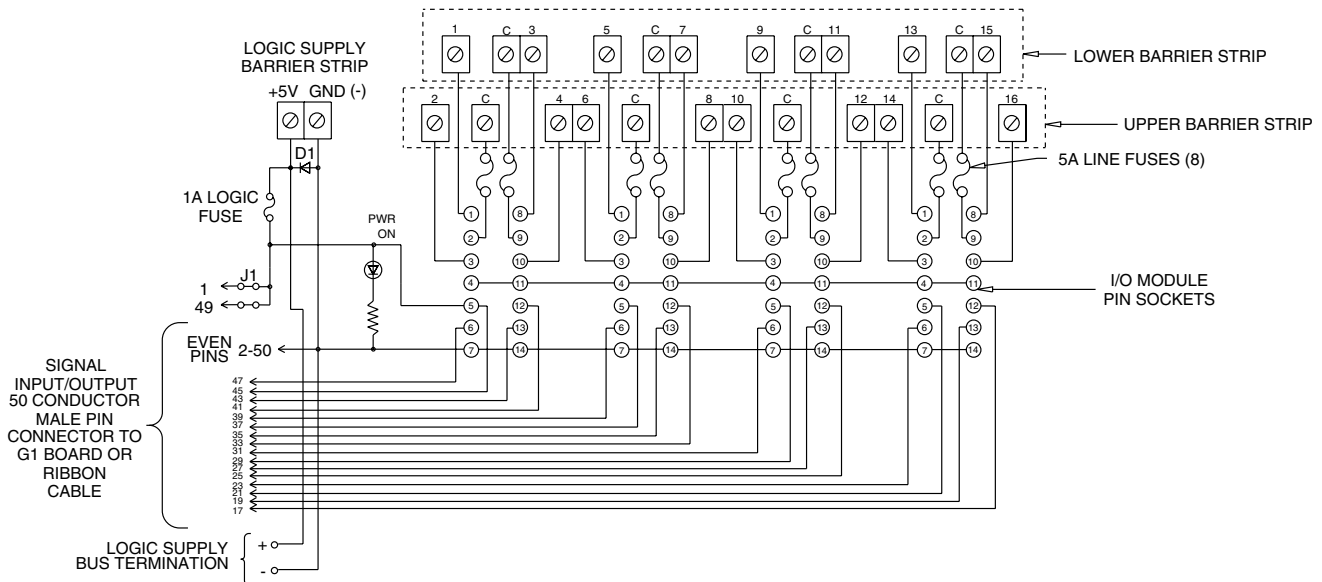


DIGITAL I/O MODULE MOUNTING BOARDS

FOR QUAD-PACK MODULES



- NOTES:
- 1) CONNECTOR IS BERG 65863-145 OR EQUIVALENT.
 - 2) 6-32 SCREW TERMINAL BARRIER STRIPS ACCEPT WIRE SIZES FROM 24 TO 12 AWG.
 - 3) OPTIONAL JUMPERS AVAILABLE TO INTERCONNECT BARRIER STRIP COMMONS. ORDER 2 EACH JUMPER "JQ4".
 - 4) LITTLE FUSE 251001 OR EQUIVALENT.
 - 5) LITTLE FUSE 251005 OR EQUIVALENT.



Products and specifications subject to change without notice.
Consult factory for application assistance.