

PSR-SCP- 24DC/ESP4/2X1/1X2

Order No.: 2981020

<http://eshop.phoenixcontact.de/phoenix/treeViewClick.do?UID=2981020>

Safety relay for process engineering, emergency stop and protective door monitoring. One-channel, two enabling current paths, pluggable connecting terminal blocks with screw connection



Commercial data	
EAN	4017918911065
Pack	1 pcs.
Customs tariff	85364190
Weight/Piece	0.24002 KG
Catalog page information	Page 22 (IF-2009)

Product notes

WEEE/RoHS-compliant since:
02/19/2007

<http://www.download.phoenixcontact.com>
Please note that the data given here has been taken from the online catalog. For comprehensive information and data, please refer to the user documentation. The General Terms and Conditions of Use apply to Internet downloads.

Technical data**Input data**

Nominal input voltage U_N	24 V DC
Input voltage range in reference to U_N	0.85 ... 1.1
Typical input current at U_N	50 mA DC
Voltage at input/start and feedback circuit	24 V DC

Typical response time	60 ms
Typical release time	20 ms
Recovery time	1 s

Output data

Contact type	2 enabling current paths, 1 signaling current path
Contact material	AgSnO ₂ , + 0.2 µm Au
Maximum switching voltage	250 V AC/DC
Minimum switching voltage	10 V AC/DC
Limiting continuous current	6 A
Maximum inrush current	6 A
Inrush current, minimum	10 mA
Sq. Total current	max. 72 A ²
Interrupting rating (ohmic load) max.	144 W (24 V DC, τ = 0 ms) 200 W (48 V DC, τ = 0 ms) 77 W (110 V DC, τ = 0 ms) 70 W (220 V DC, τ = 0 ms) 1500 VA (250 V AC, τ = 0 ms)
Maximum interrupting rating (inductive load)	42 W (24 V DC, τ = 40 ms) 40 W (48 V DC, τ = 40 ms) 35 W (110 V DC, τ = 40 ms) 35 W (220 V DC, τ = 40 ms)
Switching capacity min.	0.4 W
Output fuse	6 A gL/gG NEOZED

General data

Width	22.5 mm
Height	114.5 mm
Depth	99 mm
Ambient temperature (operation)	-20 °C ... 55 °C
Ambient temperature (storage/transport)	-20 °C ... 70 °C
Service life mechanical	Approx. 10 ⁷ cycles
Mounting position	Any
Category in acc. with EN 954-1	2 4
Stop category	0

Name	Air and creepage distances between the power circuits
Standards/regulations	DIN EN 50178/VDE 0160
Rated surge voltage / insulation	6 kV / Safe isolation, increased insulation
Rated insulation voltage	250 V
Pollution degree	2
Surge voltage category	III

Connection data

Conductor cross section solid min.	0.2 mm ²
Conductor cross section solid max.	2.5 mm ²
Conductor cross section stranded min.	0.2 mm ²
Conductor cross section stranded max.	2.5 mm ²
Conductor cross section AWG/kcmil min.	24
Conductor cross section AWG/kcmil max	12
Stripping length	7 mm
Screw thread	M3
Type of connection	Screw connection

Certificates / Approvals

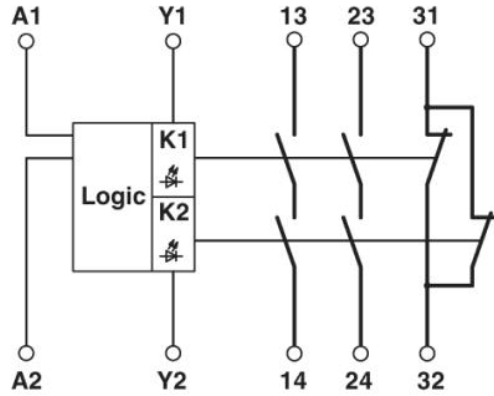


Certification

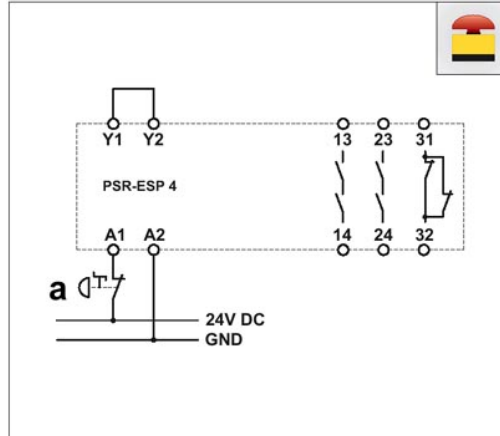
CUL Listed, GL, GOST, TUEV-RH, UL Listed

Diagrams/Drawings

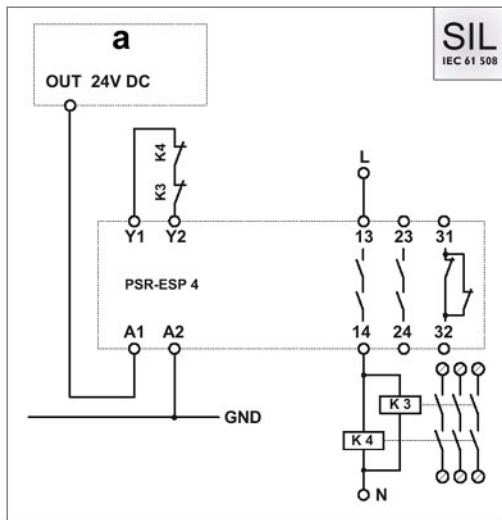
Circuit diagram



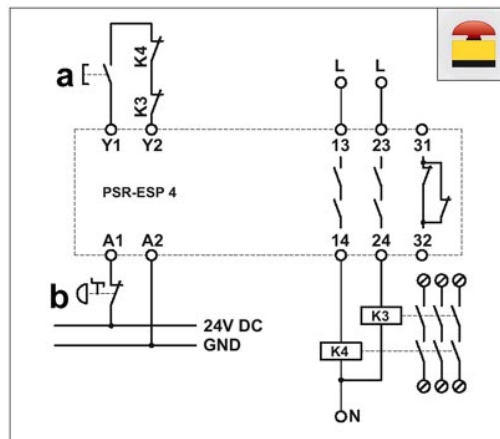
1 = logics



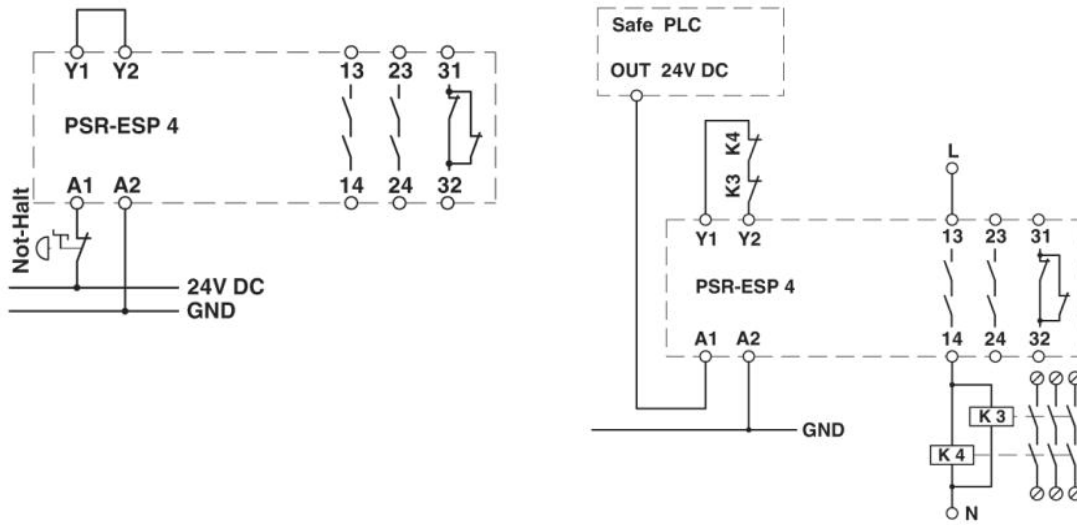
One-channel emergency stop circuit with automatic activation, suitable up to safety category 2.



One-channel evaluation of a safety controller with automatic activation, suitable up to SIL 3.



One-channel emergency stop circuit with manual activation and monitored contact expansion, suitable up to safety category 2.



Address

PHOENIX CONTACT Deutschland GmbH
Flachmarktstr. 8
32825 Blomberg, Germany
Phone +49 5235 3 12000
Fax +49 5235 3 41200
<http://www.phoenixcontact.de>



© 2010 Phoenix Contact
Technical modifications reserved;