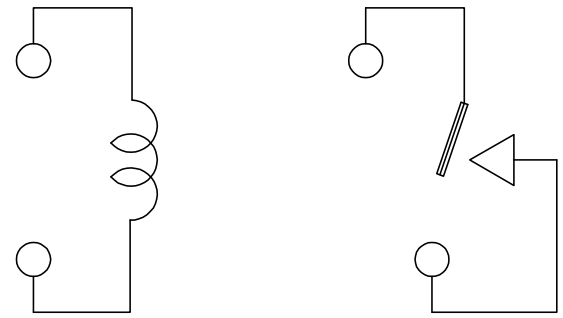
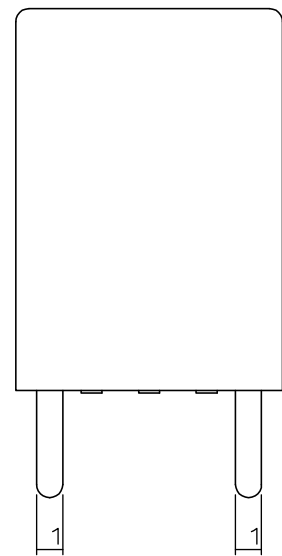
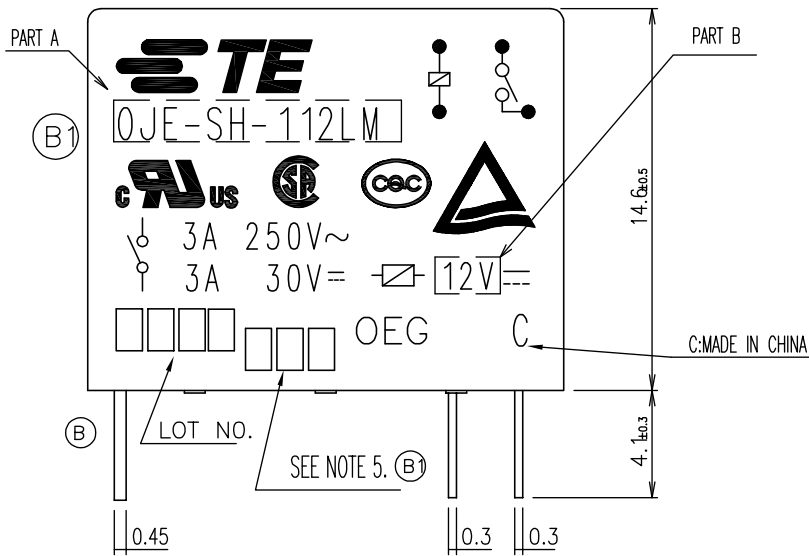


THIS DRAWING IS UNPUBLISHED. RELEASED FOR PUBLICATION
 © COPYRIGHT - By - TE CONNECTIVITY ALL RIGHTS RESERVED.

LOC		DIST		REVISIONS			
P	LTR	DESCRIPTION		DATE	DWN	APVD	
HB	-	B1	CHANGE LOGO&ADD LINE IDENTIFICATION	ECO-12-001771	21Aug2012	YS.H	BH.Y



CONNECTION FIGURE

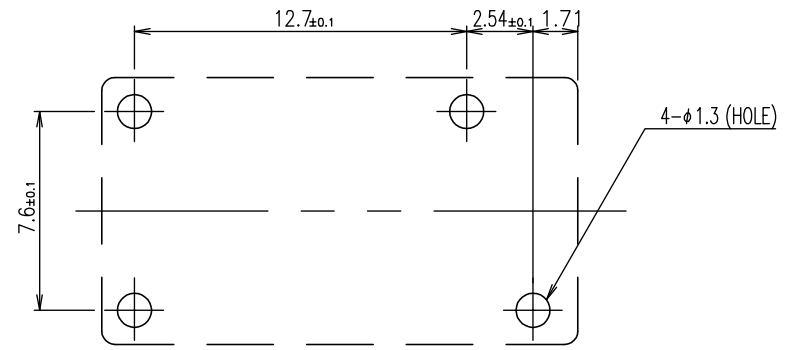
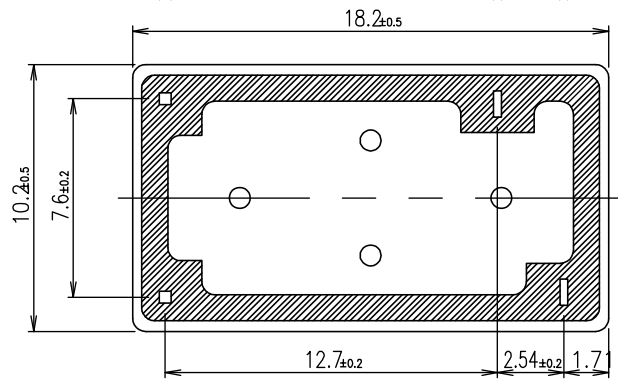


FIGURE FOR PRINTED CIRCUIT BOARD PROCESSING (BOTTOM VIEW)



THIS DRAWING IS A CONTROLLED DOCUMENT.		DWN	H.Sasaki		TE Connectivity			
DIMENSIONS: mm		CHK	Y.Oikawa					
TOLERANCES UNLESS OTHERWISE SPECIFIED:		APVD	A.Nagai		NAME			
0 PLC ± - 1 PLC ± - 2 PLC ± - 3 PLC ± - 4 PLC ± - ANGLES ± -		PRODUCT SPEC	-		OJE-SH-LM SPEC 000 CUSTOMER DRAWING			
MATERIAL		FINISH	-		SIZE	CAGE CODE	DRAWING NO	RESTRICTED TO
-		-		WEIGHT	-		-	
-		-		A3 00779 G= 1461401			-	
-		-		CUSTOMER DRAWING			SCALE 5:1 SHEET 1 of 2 REV B1	

THIS DRAWING IS UNPUBLISHED. RELEASED FOR PUBLICATION
 © COPYRIGHT - By - TE CONNECTIVITY ALL RIGHTS RESERVED.

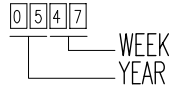
LOC	DIST	REVISIONS					
HB	-	P	LTR	DESCRIPTION	DATE	DWN	APVD
		-		SEE SHEET 1	-	-	-

ACTIVE	1461401-4	OJE-SH-124LM, 000	107-79010	24V	OJE-SH-124LM	f
ACTIVE	1461401-5	OJE-SH-112LM, 000	107-79010	12V	OJE-SH-112LM	e
(B) OBSOLETE	1461401-1	OJE-SH-109LM, 000	107-79010	9V	OJE-SH-109DM	d
(B) OBSOLETE	1461401-3	OJE-SH-106LM, 000	107-79010	6V	OJE-SH-106LM	c
ACTIVE	1461401-2	OJE-SH-105LM, 000	107-79010	5V	OJE-SH-105LM	b
(B) OBSOLETE	1461401-6	OJE-SH-103LM, 000	107-79010	3V	OJE-SH-103LM	a
PART STATUS	TE PART NO	DESCRIPTION	PACKAGE SPEC	PART B	PART A	TYPE

RELAY TYPE

(B) (A) NOTES:

1.LOT NO. SYSTEM AS FOLLOWING:

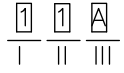


(B) 2.TERMINAL DIMENSION IS BEFORE SOLDER DIP;

(B) 3.FOR THE TIN-PLATING OF THE PINS:
 +0.1mm FOR WIDTH,THICKENSS AND DIAMETER.
 +0.5mm FOR LENGTH.

(B) 4.MARKING FROM INK TO LASER.

(B) 5.ADD LOT NO. SYSTEM AS FOLLOWING;



I, DIGITS FOR DAY OF THE WEEK
 1...MONDAY IN THIS WEEK;
 2...TUESDAY IN THIS WEEK;

 7...SUNDAY IN THIS WEEK
 II, DIGITS FOR SHIFT OF THE DAY
 1...DAY SHIFT IN THIS DAY;
 2...NIGHT SHIFT IN THIS DAY;
 III, ONE CHARACTER

DISTINGUISH THE LINE IDENTITY, SUCH AS: A,B.....Z

		UV RESIN	SEAL (VENT HOLE)	16
		EPOXY RESIN	SEAL (BASE & BOBBIN)	15
		3UEW	MAGNETIC WIRE	14
94V-0		P.B.T	CASE	13
94V-0		P.B.T	BASE	12
94V-0		P.B.T	BOBBIN	11
	SOLDER DIP	C.P WIRE	COIL TERMINAL	10
94V-0		P.P.S	CARD	9
		Ag	MOVABLE CONTACT	8
		Ag	NO.CONTACT	7
		STEEL	HINGE SPRING	6
	SOLDER DIP	Cu ALLOY	NO.TERMINAL	5
	SOLDER DIP	Cu ALLOY	MOVABLE SPRING	4
	NIP	STEEL	CORE	3
	NIP	STEEL	ARMATURE	2
	NIP	STEEL	YOKE	1
INCOMBUSTIBILITY	TREATMENT	MATERIAL	DESCRIPTION	ITEM

THIS DRAWING IS A CONTROLLED DOCUMENT.		DWN	H,Sasaki	-
DIMENSIONS: mm		CHK	Y.Oikawa	-
TOLERANCES UNLESS OTHERWISE SPECIFIED:		APVD	A.Nagai	-
0 PLC ± -		PRODUCT SPEC	-	-
1 PLC ± -		APPLICATION SPEC	-	-
2 PLC ± -		WEIGHT	-	-
3 PLC ± -		CUSTOMER DRAWING	-	-
4 PLC ± -		SCALE	5:1	SHEET 2 of 2
ANGLES ± -		RESTRICTED TO	-	REV B1
FINISH -		TE Connectivity OJE-SH-LM SPEC 000 CUSTOMER DRAWING SIZE A3 CAGE CODE 00779 DRAWING NO 1461401		