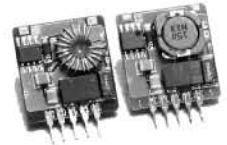


World's Standard TO-3PL 10W



2A VSI-mini Series

Ultra High Efficiency (93%), TO-3PL type Step-Down DC-DC Converter

Input: +5V, +12V

Output: +3.3V (+1.8V to +3.3V)

Input: +6V, +12V, +15V

Output: +5V (+3V to +5V)

- High Efficiency 92%-93%
- Latest Technology, Synchronous Rectification Circuit
- TO-3PL Package
- Heat Sink Not Required
- New Development Synchronous Rectification Control IC
- Adopted a Solid Aluminum Electrolytic Capacitor
- Low Standby Current 100µA
- MTBF 1,000,000Hrs
- Input/ Output Capacitor installed
- Ultra Thin, Ultra Small Type
- Remote ON/OFF Control
- Wide Input Voltage Range
- Over-Current Protection
- Non-Isolated Type
- Adjustable Output Voltage
- High Reliability, High Performance
- Operating Temp Range -10°C to +70°C (Temp Derating Required)
- RoHS Compliance

Models	Input V Vdc	Output V Vdc	Output I A	Line Reg % (typ.)	Load Reg % (typ.)	Ripple/Noise mVpp (typ.)	Efficiency % (typ.)
VSI-mini Series							
VSI-3.3S2R0MA	4.75-13.6	3.3 (1.8-3.3)	0-2	0.2	0.6	30	92
VSI-3.3S2R0FMA							
VSI-3.3S2R0SMA							
VSI-5.0S2R0MA	6.0-16.5	5.0 (3.0-5.0)	0-2	0.2	0.4	30	93
VSI-5.0S2R0FMA							
VSI-5.0S2R0SMA							

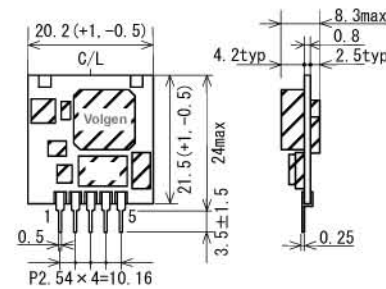
Note 1: There is a min. purchasing requirement for SM (Surface Mount) type, please contact our sales dept.

Note 2: The output voltage inside the () indicates the adjustable range.

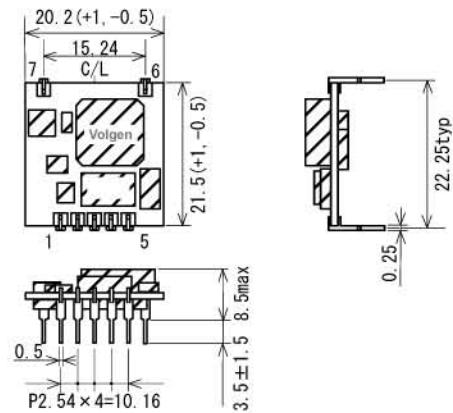
Note 3: Suffix "A" stands for version.

<Outline>

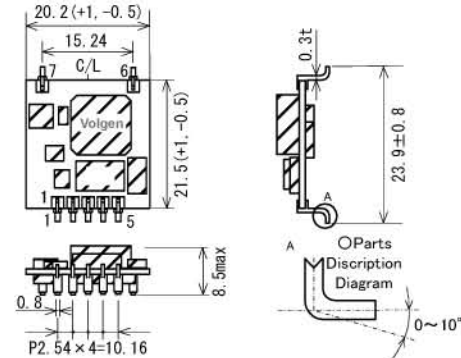
VSI-3.3S2R0MA / VSI-5.0S2R0MA



VSI-3.3S2R0FMA / VSI-5.0S2R0FMA



VSI-3.3S2R0SMA / VSI-5.0S2R0SMA

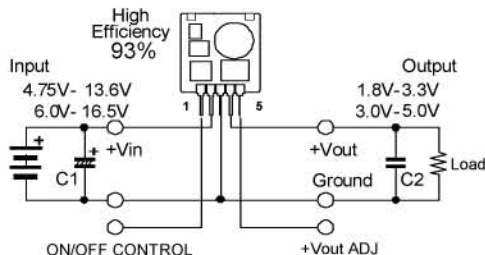


pin	Function
1	ON/OFF CONT
2	+Vin
3	GND
4	+Vout
5	+Vout.ADJ
6	NC
7	NC

Weight : 3.3V for output side : 4g typ.
Weight : 5.0V for output side : 5g typ.
Units: mm

- Note!
This catalogue is an outline of the products.
When designing, be sure to refer to the data sheets.

Easy Usage



- Output Voltage Setting

- When 5pin is open, set the Output to 3.3V or 5V

- How to adjust the Output Voltage

- Put an adjustable resistor (fixed resistor) between 5pin and 4pin, and set to 1.8V-3.3V or 3V-5V.

- ON/OFF Control: Output ON

- When 1pin is open, output will either be 3.3V or 5V.

- Additional Capacitor

- C1=100µF or more
- C2= Built-in output capacitor. However when adjusting the output, add a 100-220µF capacitor to the output.

- External Coating

- The SIP and DIP type have a plastic coating.
- The SMD (SM) type is not coated, because it has a mounting suction.