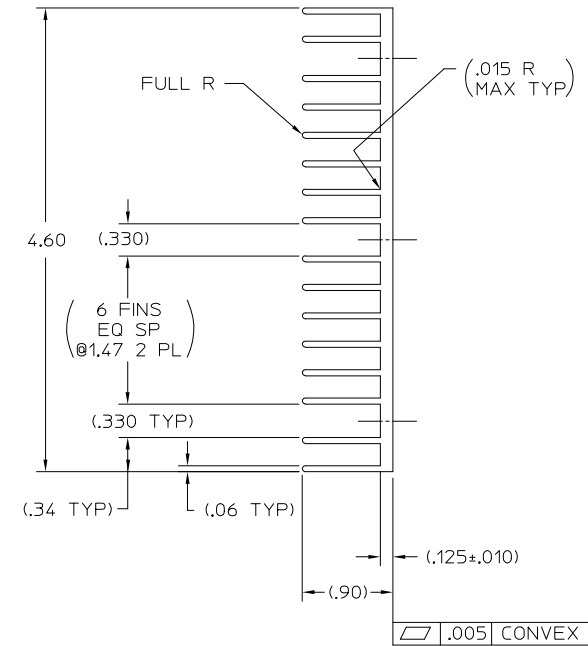
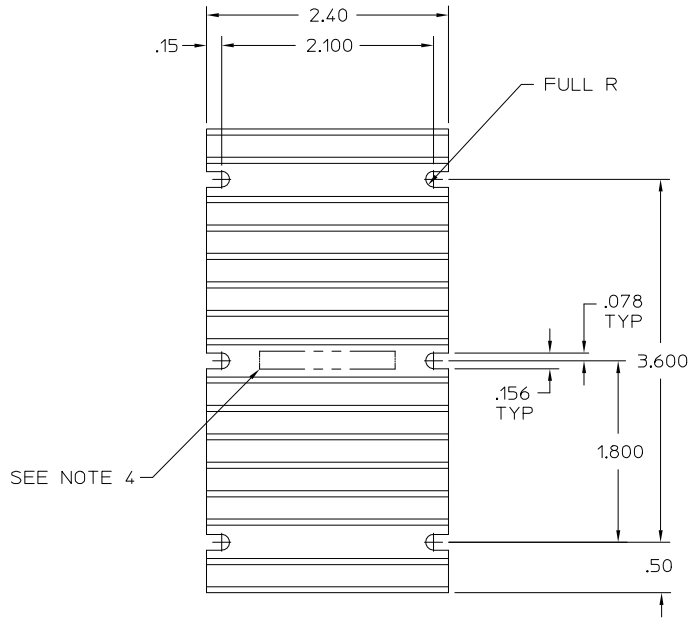


THIS DOCUMENT AND THE DATA DISCLOSED HEREIN OR HEREWITH IS NOT TO BE REPRODUCED, USED, OR DISCLOSED IN WHOLE OR IN PART TO ANYONE WITHOUT PERMISSION OF VICOR CORP.


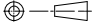
REV.	DESCRIPTION	DATE	APPROVED
1	RELEASED PER E050350	11/16/05	EF



NOTES:

1. MATERIAL: 6063-T5 ALUMINUM.
2. REMOVE ALL LOOSE AND HANGING BURRS. OTHERWISE, BURRS SHALL NOT EXCEED .003.
3. CLEAR FINISH, RoHS COMPLIANT, CHROMIUM FREE PER CST-0001, LATEST REVISION.
4. PERMANENTLY MARK PART NUMBER AND REVISION LEGIBLY IN AREA SHOWN.
5. Ø DENOTES CRITICAL CHARACTERISTIC FOR LOT INSPECTION.
6. TOLERANCE ON ALL DIMENSIONS SHOWN AS REFERENCE SHALL FOLLOW STANDARD ALUMINUM ASSOCIATION TOLERANCE.

FREE CONVECTION	2.4
200 LFM	1.52
600 LFM	0.72

DRAWN BY L.KNIGHT		DATE 05/19/05		 HEATSINK .9" HGT., VERT.	
<small>UNLESS OTHERWISE SPECIFIED DIMENSIONS ARE IN INCHES- TOLERANCES ARE:</small> <small>FRACTIONS DECIMALS ANGLES</small> <small>+1/64 .XX+ .01 °1P</small> <small>.XXX-.005</small>					
THIRD ANGLE PROJECTION 		SIZE C	FSCM NO. 67131	DWG NO. 30090	REV 1
DO NOT SCALE DRAWING			SCALE FULL	SHEET 1 OF 1	