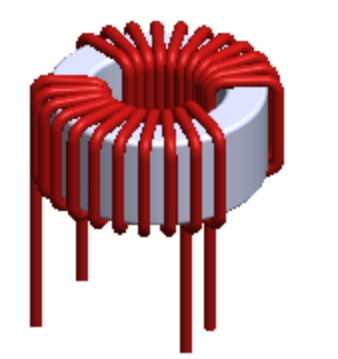
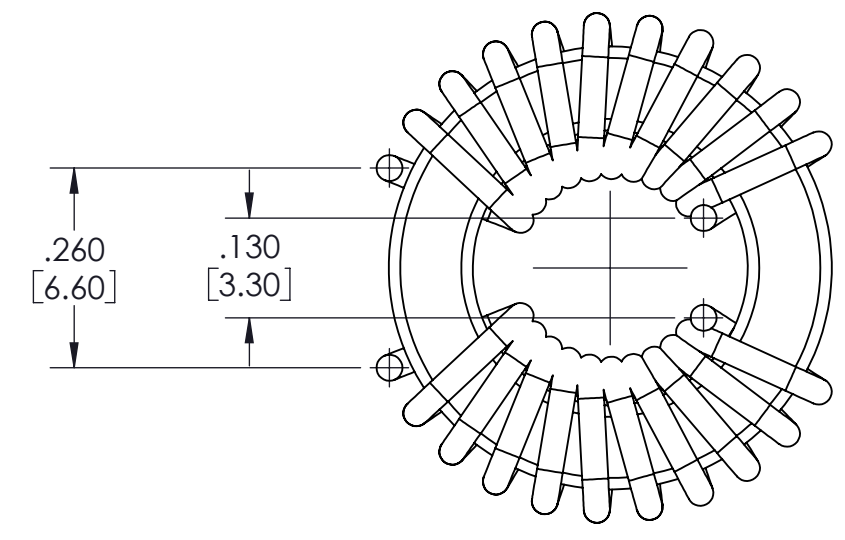
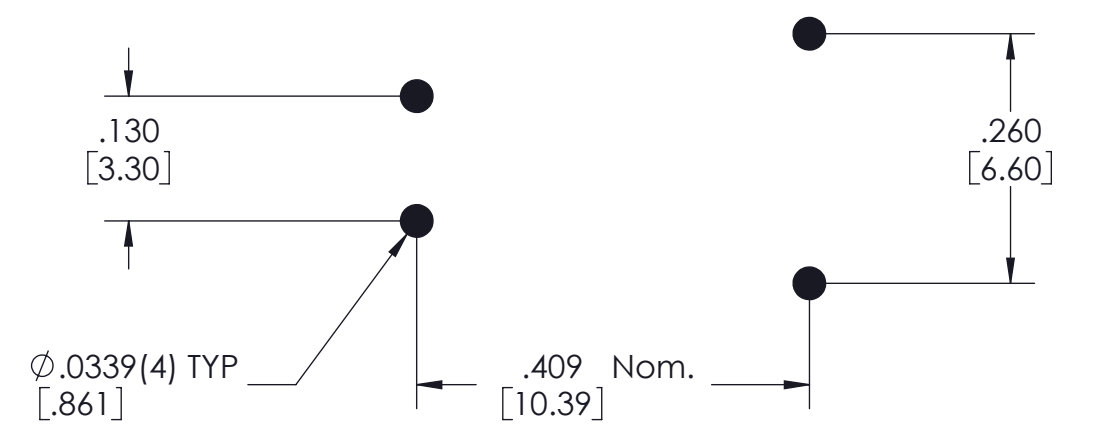
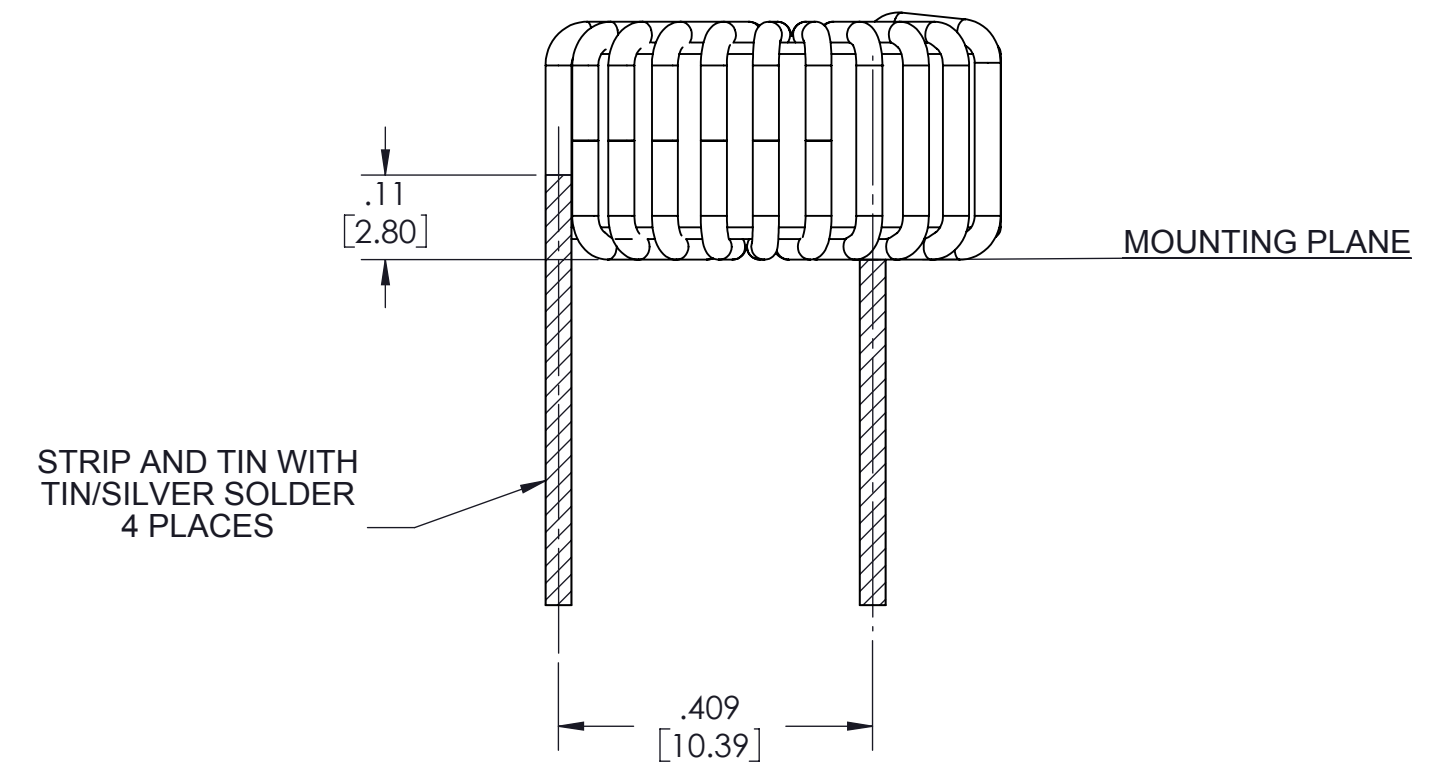
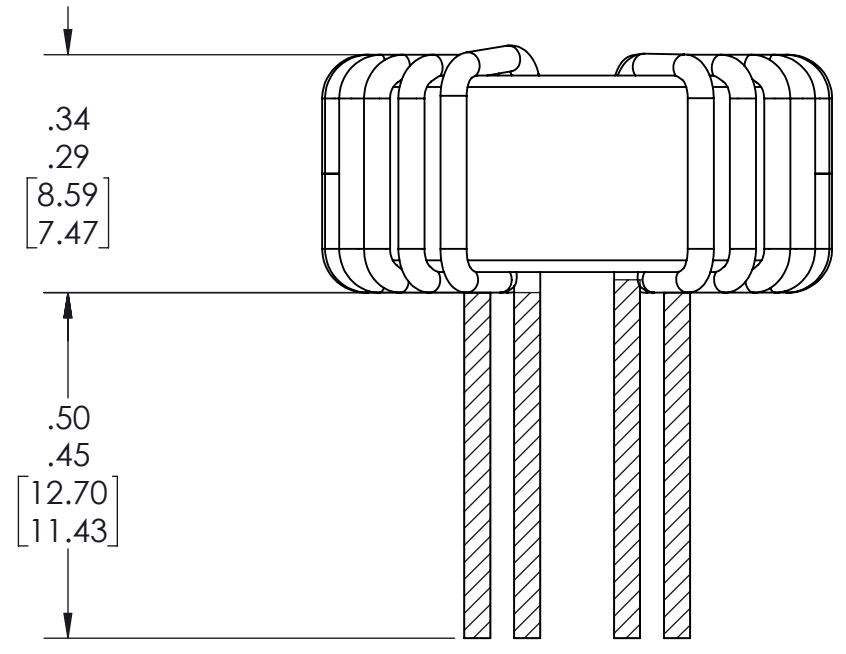
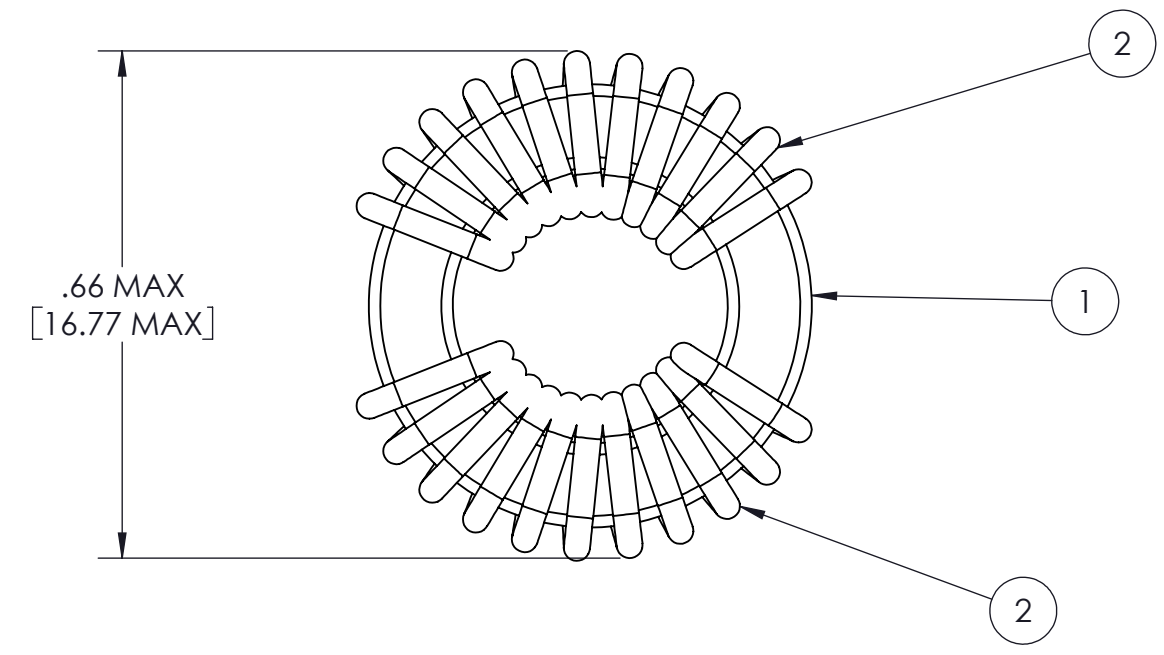
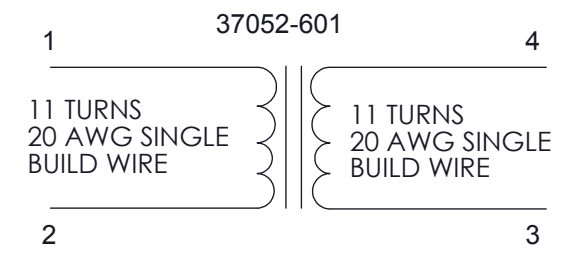



VICOR CONFIDENTIAL
 THIS DOCUMENT AND THE DATA DISCLOSED HEREIN OR
 HEREWITH IS NOT TO BE REPRODUCED, USED OR
 DISCLOSED IN WHOLE OR IN PART TO ANYONE WITHOUT
 THE PERMISSION OF VICOR CORP.

REV.	DESCRIPTION	DATE	APPROVED
1	RELEASED PER E110692	ZMB 07/07/11	NZ
2	REVISED PER E111132	KUK 11/16/11	MH
3	REVISED PER E111265	KUK 12/20/11	SG
4	REVISED PER E120225a	KUK 03/16/12	MH



- NOTES:
1. CORE: VICOR P/N 37081.
 2. MAGNET WIRE: NEMA MW28C SINGLE BUILD.
 3. ASSEMBLY TO BE FREE OF NICKS.
 4. RoHS COMPLIANT, LEAD FREE PER CST-0001 LATEST REVISION.

Vicor P/N	ITEM NO.	WINDING	# OF TURNS	AWG	IND. μ H PER WINDING @10KHz	RATED I	DC RES. MAX	TEST CONDITION
37052-601	3	1 PRIMARY	11	20	318 μ H MIN 455 μ H NOM 592 μ H MAX	10A	7.9 mR	VAC= 100mV RMS f= 10 KHz
	2	1 SECONDARY	11	20		10A	7.9mR	f= 10KHz

DRAWN BY Anuyugh Ragipani	DATE 10/12/2010	VICOR SWD	
UNLESS OTHERWISE SPECIFIED DIMENSIONS ARE : INCH / (MM)		IND COM MODE 600μH 30% 10A	
TOLERANCES ARE: DECIMALS ANGLES X.XX [X.X] = +0.01 [0.25] \pm 1° X.XXX [X.XX] = +0.005 [0.127]		SIZE C	CAGE CODE 67131
THIRD ANGLE PROJECTION  DO NOT SCALE DRAWING		DWG NO 37052-XXX	REV 4
SCALE 5:1		SHEET 1 OF 1	