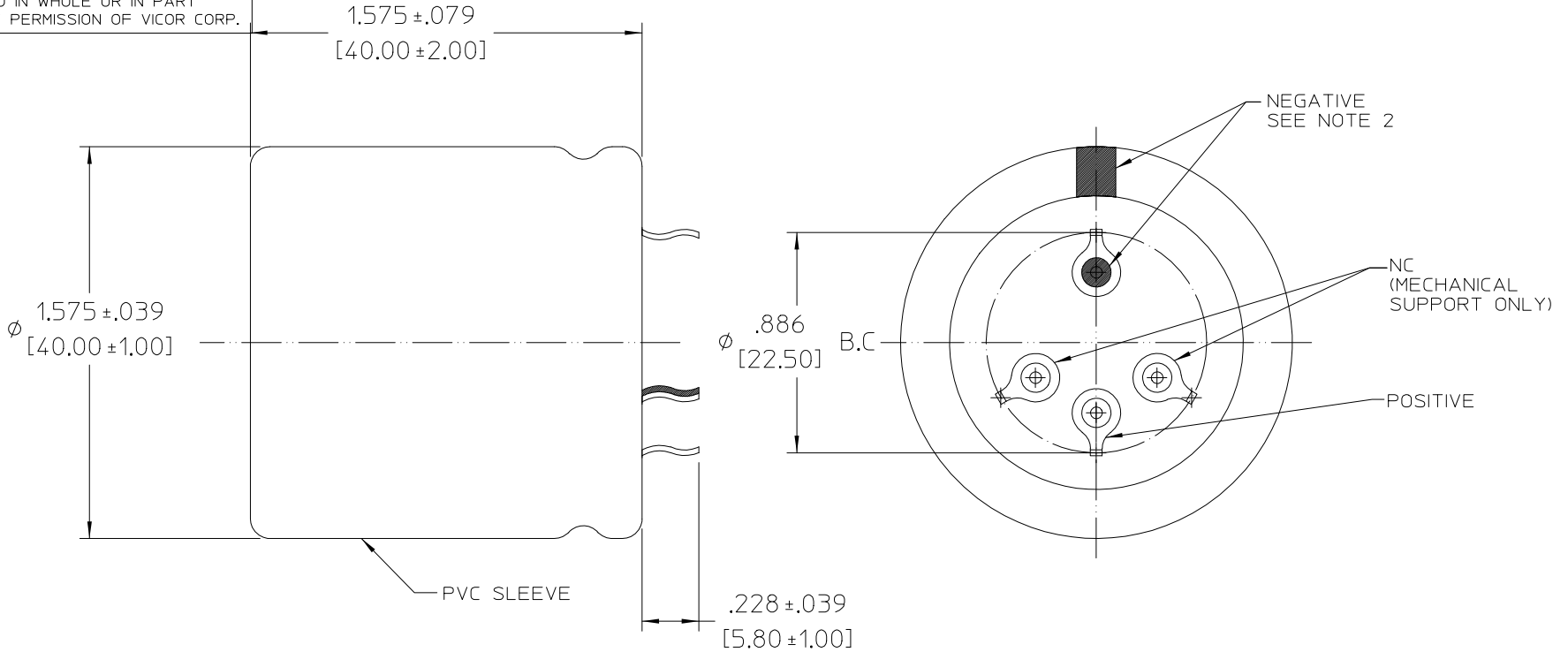


**VICOR CONFIDENTIAL**

THIS DOCUMENT AND THE DATA DISCLOSED HEREIN OR HEREWITH IS NOT TO BE REPRODUCED, USED, OR DISCLOSED IN WHOLE OR IN PART TO ANYONE WITHOUT PERMISSION OF VICOR CORP.

REV.	DESCRIPTION	DATE	APPROVED
1	RELEASED PER E060753	GCK 6/21/06	SH



ELECTRICAL CHARACTERISTICS @ T=20°C (UNLESS OTHERWISE SPECIFIED)

PARAMETER	SYMBOL	MIN	TYP	MAX	UNITS	TEST CONDITIONS
CAPACITANCE	C	376	470	564	μF	@ 120 Hz, 20°C
WORKING VOLTAGE	V <sub>DCW</sub>	450			V	
SURGE VOLTAGE	V surge			500	V	
LEAKAGE CURRENT	I <sub>DCL</sub>			3	mA	@ 20°C, 5 MINUTES @ RATED VOLTAGE
DISSIPATION FACTOR	DF			0.15		
EQUIVALENT SERIES RESISTANCE	ESR			.529	Ω	@ 120 Hz, 20°C
RIPPLE CURRENT	I <sub>RMS</sub>			1.78	A	@ 120 Hz, +105°C
OPERATING TEMPERATURE	T <sub>OP</sub>	-25°C - +105°C			°C	

- NOTES:
1. RoHS COMPLIANT, LEAD FREE PER CST-0001 LATEST REVISION.
  2. NEGATIVE MAY BE SHOWN BY EITHER MARKING.
  3. DIMENSIONS ARE IN INCHES [MM]

MARKING:  
MFG. ID/PF CODE

DRAWN BY <i>P.E.IENI</i>		DATE 08/03/05		<p><b>CAPACITOR ALEL 470μF ±20 450V</b></p>			
<small>UNLESS OTHERWISE SPECIFIED DIMENSIONS ARE IN INCHES - TOLERANCES ARE:</small> <small>FRACTIONS DECIMALS ANGLES</small> <small>*1/64 .XX=+.01 ±1°</small> <small>.XXX=+.005</small>							
THIRD ANGLE PROJECTION		SIZE <b>B</b>	FSCM NO. <b>67131</b>	DWG NO. <b>30249</b>	REV <b>1</b>		
DO NOT SCALE DRAWING		SCALE		SHEET 1 OF 1			