

Accessories

Vicor maintains stock on the following items:

Components



02133, 02134



05071



05298, 14123



36-00029-01

Common-Mode Chokes

Common-mode chokes are used to provide high levels of attenuation of common-mode currents.

Part Number	Inductance/ Winding	DC Current/ Resistance	Price
02134	1000 μ H	12A/6.5 m Ω	\$13.30
02133	3000 μ H	7A/18 m Ω	\$13.30
05071	2163 μ H	1A/42 m Ω (Low Profile)	\$4.35

Differential Output Inductors

Output inductors may be used to reduce differential output noise by approximately 20 dB.

Part Number	Inductance	DC Current (Max.)	Price
05298	130-150 η H	40A	\$3.00
14123	1.8 μ H	10A	\$3.00

Common Mode Output Inductors

Part Number	Inductance	DC Current (Max.)	Price
36-00029-01	700 μ H	40A	\$10
36-00029-04	2.8 mH	10A	\$10
36-00037	840 μ H	20A	\$10



Oscilloscope Test Jack

Recommended for common mode noise measurements.

Description	Part Number	Price
Shielded, Horizontal	01830	\$5.50

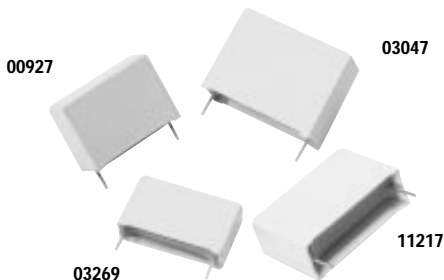


09800

Capacitors, Tantalum

Solid tantalum capacitor used to reduce output ripple.

Description	Part Number	Price
270 μ F/10V	09799	\$4.50
120 μ F/20V	09800	\$4.50
68 μ F/30V	09801	\$4.50
27 μ F/50V	09802	\$4.50



00927

03047

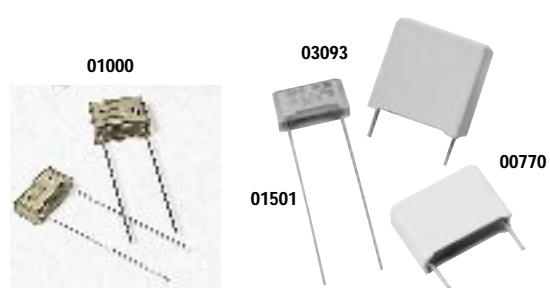
03269

11217

Capacitors, X Type

To meet the filtering specifications of FCC Level A, add a .47 μ F "X-type" capacitor to the input of the VI-AIM.

Description	Part Number	Price
"X" Cap., .68 μ F	11217	\$3.50
"X" Cap., .47 μ F	03047	\$2.75
"X" Cap., .33 μ F	00927	\$2.00
"X" Cap., .15 μ F	03269	\$1.25



01000

03093

01501

00770

Capacitors, Y Type

For EMI/RFI considerations, Y capacitors should be used with any of Vicor's DC-DC converter modules.

Description	Part Number	Price
"Y" Cap., 1500 pF	00770	\$1.60
"Y" Cap., 4700 pF	01000	\$1.25
"Y" Cap., .01 μ F	01501	\$0.95
"Y" Cap., .022 μ F	03093	\$1.30

Minimum order quantities may apply.



Capacitors, Ceramic

Product	Description	Part Number	Price
VI-AIM	500V/470 pF	04820	\$0.75
	.01μF	04872	\$0.75

08378



08377



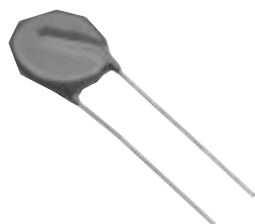
08376



Capacitors, Holdup

Product	Description	Part Number	Price
---------	-------------	-------------	-------

Components



MOV

For use with VI-HAM and VI-ARM Front End Modules

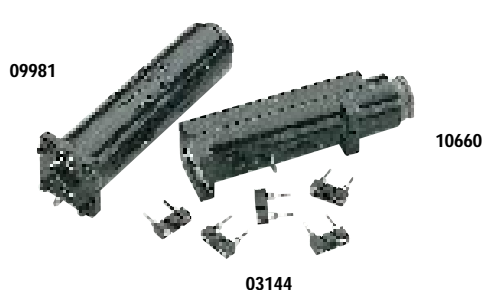
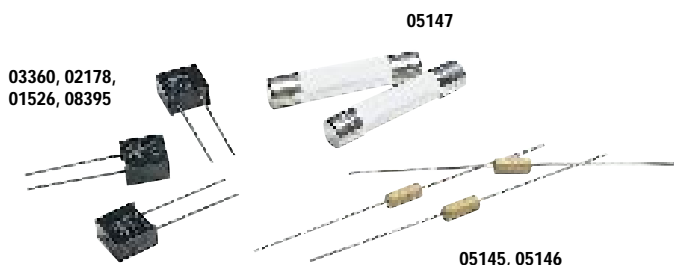
Part Number	Price
03040	\$0.95



Gas Discharge Tube

For use with the VI-ARM Front End Module.

Part Number	Price
13755	\$ 2.50

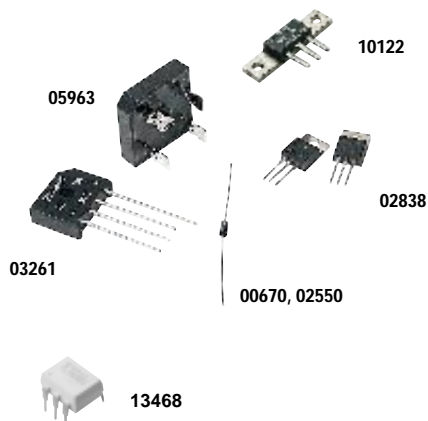


Fuses and Fuse Holders

Standard design practices as well as safety agency conditions of acceptability often require appropriate fusing at the input of power conversion components.

Fuse Part Number	Rating	Price	to be used with Fuse Holder	Fuse Holder Price	
03360, 02178, 01526, 08395	2 Amps	\$1.35	03144	\$.60	
08395	2.5 Amps	\$1.35	03144		
02178	3 Amps	\$1.35	03144		
01526	5 Amps	\$1.50	03144		
05145	7 Amps	\$1.05	—		
05146	10 Amps	\$1.05	—		
05147	12 Amps	\$.85	09981	Vertical Mount with Stability Pins, 0.25" x 1.25"	\$4.50
			10660	Horizontal Mount, 0.25" x 1.25"	\$4.50

PC-Tron® is a registered trademark of Bussman.



Diodes and Rectifiers

Part Number	Fwd. Characteristics	Peak Rev. Voltage	Case	Price(1-9)
Diode: Used for isolating signals (i.e., Gate In/Gate Out).				
00670	1 Amp	800V	DO-41	\$1.00
02550	1V@10 mV	100V	DO-35	\$0.10
O'ring Diodes: Used for fault tolerant applications.				
02838	0.4V@30A@100°C	35V	TO-220-Dual	\$3.50
10122	.38V@80A@100°C	15V	D-61-8	\$18.00
Bridge Rectifiers: Used to rectify AC line.				
03261	8 Amps	600V		\$2.90
05963	35 Amps	600V		\$9.75
Optocoupler: For logic disable.				
13468	TLP595G			\$10.00

Minimum order quantities may apply.



Interconnects



Sockets

Sockets are available for all Vicor first generation modules and are intended for applications requiring ease of module installation or removal. Vicor modules have nine pins; seven of which are 0.040 inches and two are 0.080 inches.

Part Number	Pin Size	Finish	Price
01827*	0.040	Electro-tin	\$.40
01828*	0.080	Electro-tin	\$.80



Module Standoffs

For mechanical mounting of Vicor modules. Also provides grounding of the module from the baseplate to the printed circuit board.

Part Number	Description	Price
10692-01*	0.525" Long, 0.25" Hex	\$1.00



Insulated Tab Receptacles

For MegaMod and ComPAC 0.25" tab connectors.

Part Number	Description	Price
13466	Faston®	\$.35

Faston is a registered trademark of Amp, Inc.



05739

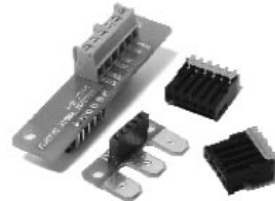


05812

Grounding Clips

For use with FinMod and SlimMod packaging options. Grounding clips provide a convenient means for making electrical connection between the heatsink assembly and the printed circuit board.

Part Number	Use With...	Price
05739*	F1 and F2	\$.40
05812*	F3 and F4	\$.40
09674*	SlimMods	\$.60



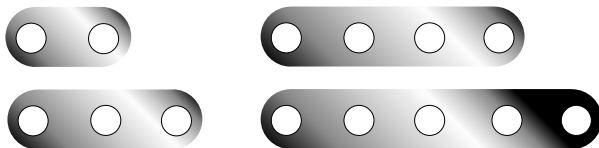
FlatPAC Input/Output Retrofit Kits

Description	Part Number	Price
Input Kit	14136	\$6.00
Output Kit	14137	\$4.00

FlatPAC Input/Output Mating Connectors

Description	Part Number	Price
Input Connector, 6 Pin*	16384	\$1.50
Output Connector, 5 Pin*	16385	\$1.50

*Insertion tools for use with FlatPAC input/output connectors are available from AMP, Inc., P/N 58074-1 Manual Hand Tool, P/N 58246-1 Interchangeable Head.



Bus Bars for MegaPAC Family

Description	Part Number	Price
2 Up	88-00033-01	\$.50
3 Up	88-00033-02	\$.50
4 Up	88-00033-03	\$.50
5 Up	88-00033-04	\$.50

MegaPAC Family Connector Kits contain:

- ✓ Power Good Connectors
- ✓ Remote Sense and Trim Connectors
- ✓ Interface Connectors
- ✓ Input Connectors
- ✓ Output Connectors
- (does not include DualPAC connectors)
- ✓ Enable/Disable Connectors

MegaPAC Family Connector Kits

Description	Part Number	Price
A/R & PFC MegaPACs	19-40823	\$15.75
Mini MegaPAC	19-40923	\$14.00
DC MegaPAC	19-130002	\$19.25
3Ø MegaPAC	19-130001	\$29.75
DualPAC	19-40807	\$7.00

PFC Mini Family Connector Kits contain:

- | | |
|-----------------------|-------------------------|
| 19-130026 | 19-130025 |
| ✓ Interface Connector | ✓ Dual Output Connector |
| ✓ Sense Connectors | |

PFC Mini Family Connector Kits

Description	Part Number	Price
Interface Kit	19-130026	\$6.00
Dual Output Kit	19-130025	\$1.50

*Minimum order quantities may apply.

Thermal Management



01777, 04308

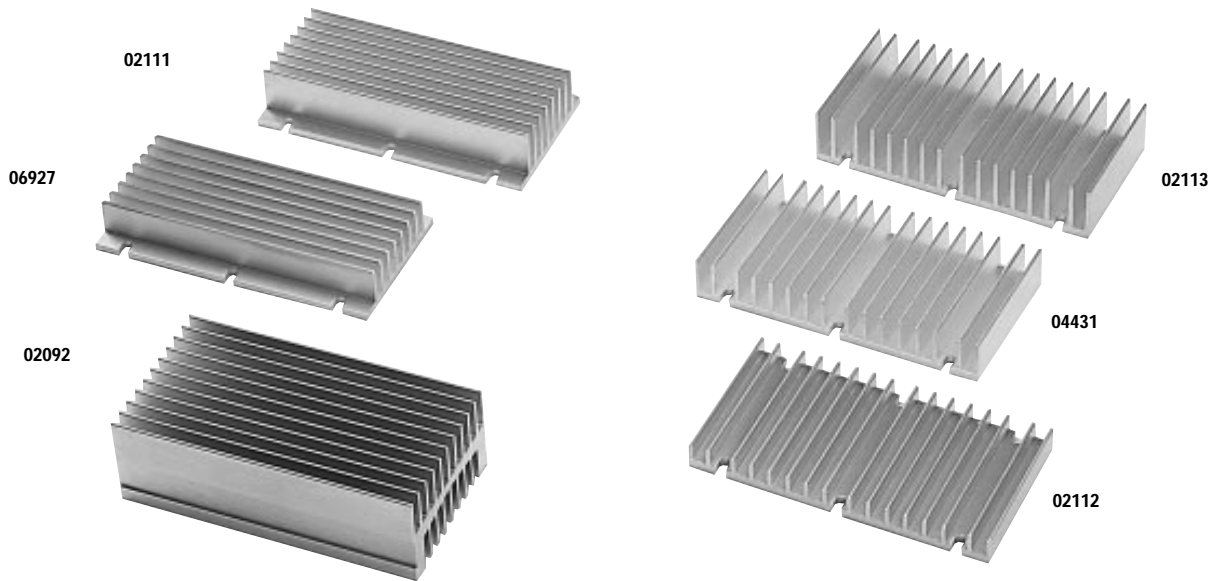
Thermal Pads

For use with Vicor modules, Thermal Pads represents a "dry" alternative to thermal compound and are pre-cut to the outline dimensions of the module.*

Tbs = 0.2°C/W typ.

Thermal Pad Part No.	Thickness	Price
Standard 01777	0.010"	\$3.30
MiniMods 04308	0.010"	\$2.20

* Slots in thermal pads are .219" ± .005". This is slightly larger than the slots in the module baseplate (.156" ± .005").

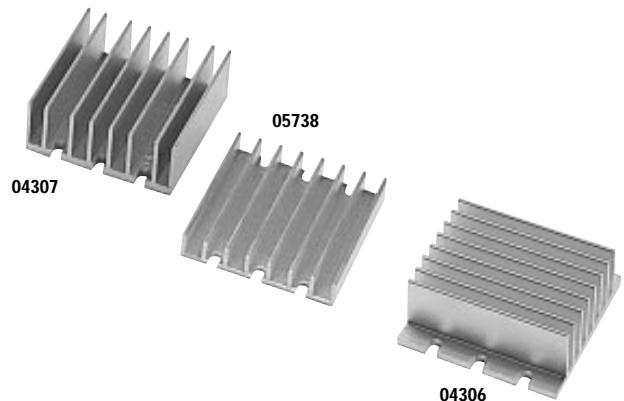


Heatsinks, VI-200

Description	P/N	Airflow	Thermal Impedance	Price	Description	P/N	Airflow	Thermal Impedance	Price
1.45"	02092	Free Air	2.60°C/W	\$10.00	0.90"	02113	Free Air	2.70°C/W	\$7.50
0.90"	02111	Free Air	3.40°C/W	\$7.50	0.70"	04431	Free Air	3.15°C/W	\$7.50
0.70"	06927	Free Air	4.08°C/W	\$7.50	0.40"	02112	Free Air	3.80°C/W	\$7.50

Heatsinks, VI-J00

Description	P/N	Airflow	Thermal Impedance	Price
0.90"	04306	Free Air	4.20°C/W	\$5.00
0.90"	04307	Free Air	4.00°C/W	\$5.00
0.40"	05738	Free Air	5.63°C/W	\$5.00





Thermal Management and Mounting Hardware

FOR 2ND GENERATION MODULES

HEAT SINKS*



**Threaded Mount
Longitudinal Fins**

15975 **MAXI**, \$8.25
15989 **MINI**, \$7.25
15971 **MICRO**, \$5.95



**Thru-hole Mount
Longitudinal Fins**

17443 **MAXI**, \$10.50
17537 **MINI**, \$9.25
17539 **MICRO**, \$7.75



**Threaded Mount
Transverse Fins**

15960 **MAXI**, \$8.25
15985 **MINI**, \$7.25
15987 **MICRO**, \$5.95



**Thru-hole Mount
Transverse Fins**

17570 **MAXI**, \$10.50
17572 **MINI**, \$9.25
17574 **MICRO**, \$7.75

* All heat sinks shown have 0.9" fin height. Heat sinks with 0.4" fins will be available soon. Contact factory or see the Vicor Web site (www.vicr.com) for the latest information

Thermal Pads

16493 **MAXI**, \$3.30
16494 **MINI**, \$2.75
16495 **MICRO**, \$2.20



The chart below lists the socket and standoff kits for each of the available mounting options. Choose your kit based on the heat sink selected above and the PCB mounting option below. For further details on mounting options.

SOCKET AND STANDOFF KITS*												
Module/PCB Mounting Options			MAXI			MINI			MICRO			
SOLDER CONNECTIONS	In-Board Mounting	Pin Style**	Standoffs			Standoffs			Standoffs			
			No Heat Sink	Thru-Hole Heat Sink	Threaded Heat Sink	No Heat Sink	Thru-Hole Heat Sink	Threaded Heat Sink	No Heat Sink	Thru-Hole Heat Sink	Threaded Heat Sink	
			1	1922 \$3.50	18150 \$5.00	18151 \$5.00	19226 \$3.50	18166 \$3.50	18167 \$3.50	19226 \$3.50	18166 3.50	18167 3.50
		On-Board Mounting	2	19227 \$3.50	18156 \$5.00	18157 \$5.00	19227 \$3.50	18172 \$3.50	18173 \$3.50	19227 \$3.50	18172 \$3.50	18173 \$3.50

* Kits include mounting hardware for one module.

** Pin Style 1: Short .110" (2,8mm)
Pin Style 2: Long .200" (5,0mm)