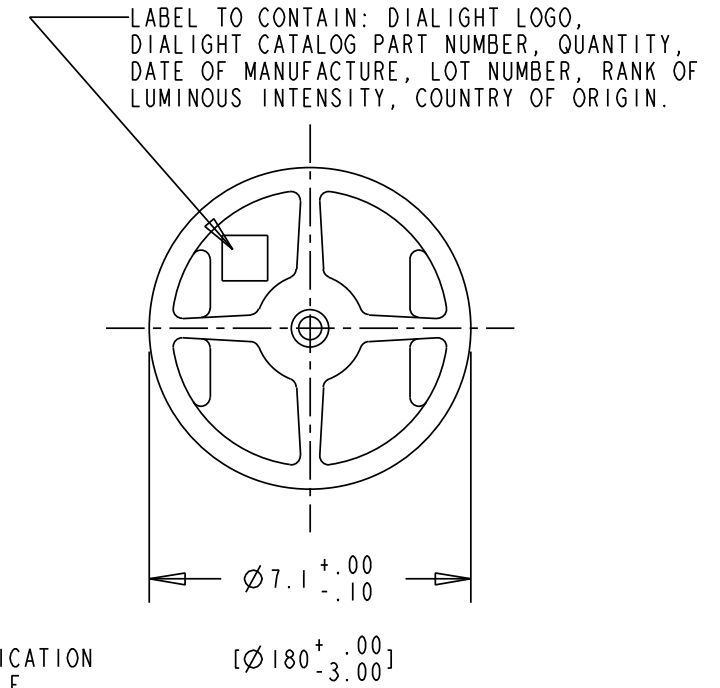
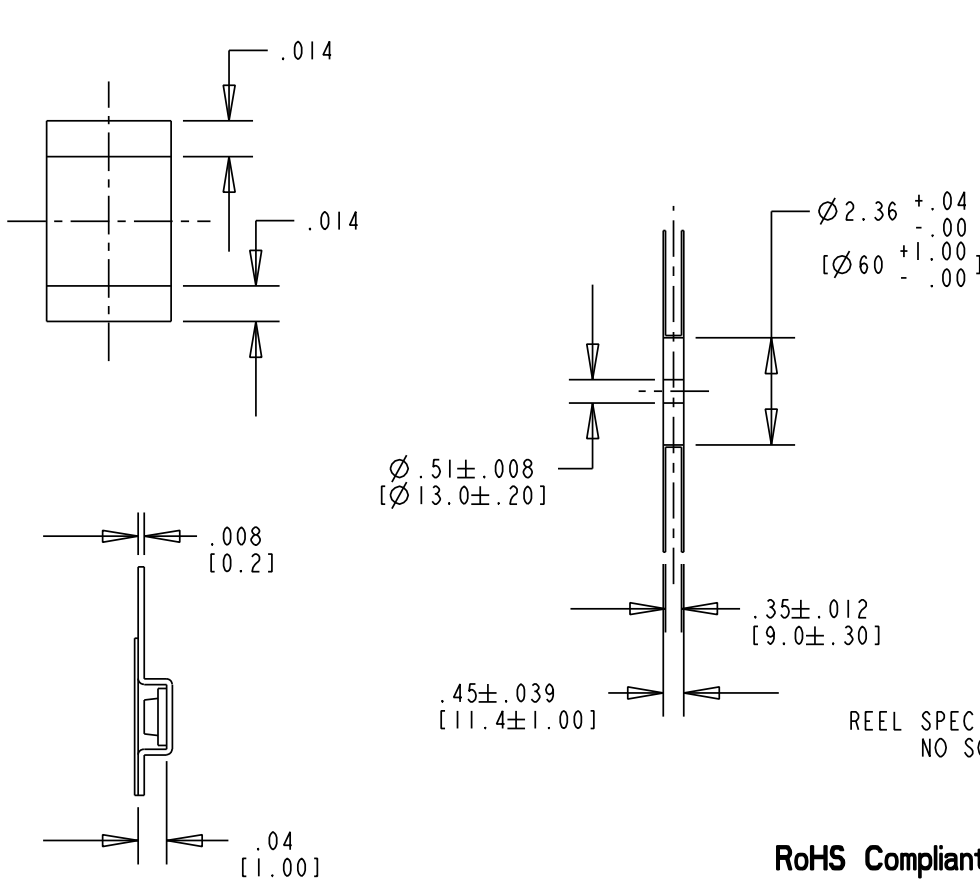
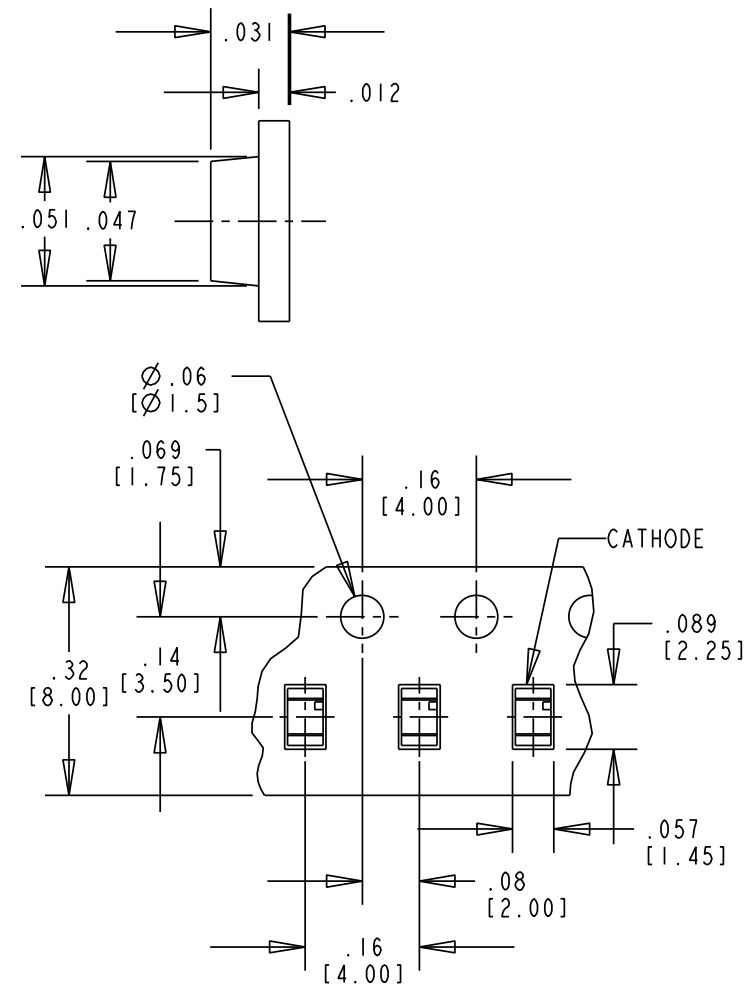
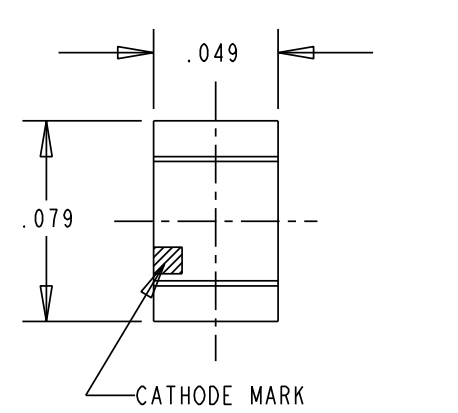
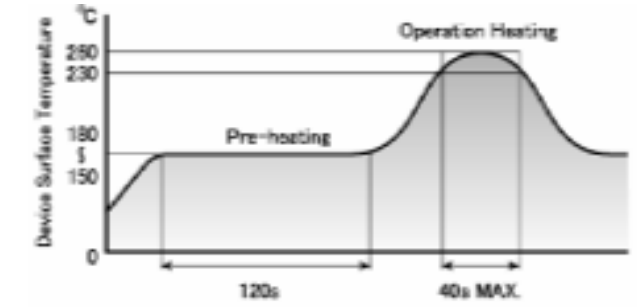


OPERATING CHARACTERISTICS AT 25 °C AMBIENT

DIALIGHT P/N	LED CHIP MATERIAL	COLOR	EPOXY COLOR	I _f (mA)	FORWARD VOLTAGE (V)		LUMINOUS INTENSITY (mcd)			REVERSE CURRENT (μA) (@ V _R = 4 V)	PEAK WAVELENGTH (nm)	DOMINANT WAVELENGTH (nm)			VIEWING ANGLE (DEGREES)	REVISIONS			
					TYP.	MAX.	MIN.	TYP.	MAX.			MAX.	MIN.	TYP.		MAX.	REV.	ECN.	DRN.
597-5111-407F, -402F	AlGaAs	RED	WHITE DIFFUSED	20	1.7	2.3	7.0	11.7	16.4	100	660	642	647	653	150	A	---	TWC	10-10-05
597-5202-407F, -402F	GaP	ORANGE		20	2.2	2.8	2.2	3.7	5.2	100	605	600	606	612	150	A	---	TWC	10-10-05
597-5311-407F, -402F	GaP	GREEN		20	2.1	2.8	3.8	6.4	9.0	100	560	562	567	573	150	A	---	TWC	10-10-05
597-5411-407F, -402F	GaP	YELLOW		20	2.1	2.8	7.0	11.7	16.4	100	570	570	572	577	150	A	---	TWC	10-10-05

REV	ECN NO	REVISIONS	DRN	CKD	APP	DATE
A	---	NEW RELEASE	TWC			



RoHS Compliant 597-5XXX-407F, -402F Surface Mount CBI

Part Numbers with the "F" suffix ending are RoHS Compliant. Example: 597-5311-407F, -402F
 Reel and bag packaging is marked with "RoHS Compliant" label or equivalent markings. This part can be used with RoHS reflow profile. Parts can be wave soldered, dip soldered or hand soldered using typical lead-free soldering process with max 260°C temp. for 5 sec.

ABSOLUTE MAXIMUM RATING AT 25°C AMBIENT	RED	YELLOW GREEN ORANGE	UNITS
POWER DISSIPATION	57.5	70	mW
CONTINUOUS FORWARD CURRENT	25		mA
PEAK FORWARD CURRENT (< 1/20 DUTY CYCLE T _w < 1 msec)	60		mA
DERATE LINEAR FROM 25 °C	.36		mA/°C
REVERSE VOLTAGE	4		V
OPERATING TEMPERATURE	-30 TO +85		°C
STORAGE TEMPERATURE	-40 TO +100		°C
DIP SOLDERING FOR 5 SEC. MAX.	260		°C
IRON SOLDERING TEMPERATURE (@ < 3 SEC)	280		°C

- NOTES:
- SOLDER TERMINALS: GOLD PLATED.
 - SOLDER ADHERENCE: EACH PAD PER MIL-STD-202E, METHOD 208C.
 - TAPE AND REEL AS PER EIA STANDARD 481-1 WITH CATHODE TOWARD SPROCKET.
 - 407F PARTS PACKAGED ON 180 mm DIA. REEL, 8 mm TAPE, 4000/REEL (SEE SKETCH). -402F PARTS PACKAGED ON A 20 PC SAMPLE STRIP.
 - DIALIGHT PART NUMBERS: 597-5111-407F, -402F, 597-5202-407F, -402F, 597-5311-407F, -402F, 597-5411-407F, -402F.
 - TAPE AND REEL LEDS MAY REQUIRE RE-TAPING AFTER TWELVE MONTHS.

THIS DRAWING AND THE CONTENTS HEREIN ARE CONFIDENTIAL AND THE SOLE PROPERTY OF DIALIGHT. REPRODUCTION OF THIS DRAWING OR CONSTRUCTION OF ANY PARTS WITHIN THIS DRAWING ARE FORBIDDEN WITHOUT THE WRITTEN CONSENT OF DIALIGHT.		
SCALE: DRAWING SCALE ALL DIM'S IN: INCHES (MM)	DRAWING NUMBER C-17317	REV A
TOLERANCES: UNLESS OTHERWISE SPECIFIED FRACTIONS: ±1/64 DECIMALS (.XX): ±.01 DECIMALS (.XXX): ±.005 DECIMALS (.XXXX): ±.0005 ANGLES: ±1°	TITLE SMT LED RoHS COMPLIANT	
FINISH:	MATERIAL	
FSCM 83330	Dialight 1501 ROUTE 34 SOUTH FARMINGDALE, NJ 07727	
SHEET 1 OF 1 FAMILY TABLE:		