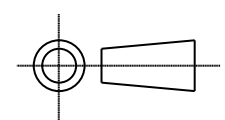


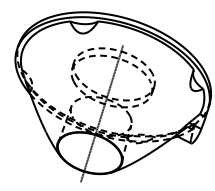
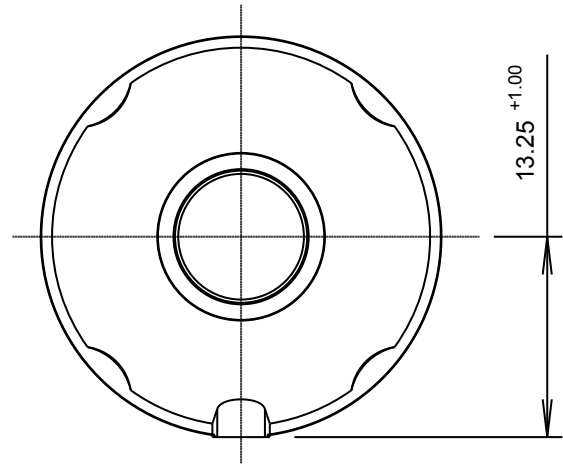
ISS.	DATE	E.C.N.	DESCRIPTION
2	24-Jul-08	07/08/1229	PIN DIA CHANGED FROM 9.0 TO 8.7. TIR SURFACE RE-OPTIMISED.

© 2008 CARCLO  
ALL DIMENSIONS IN mm

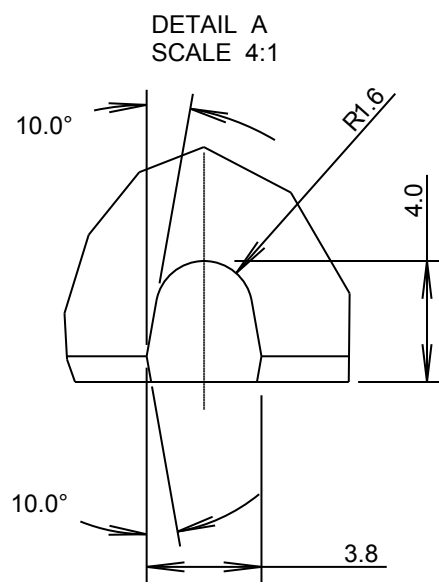
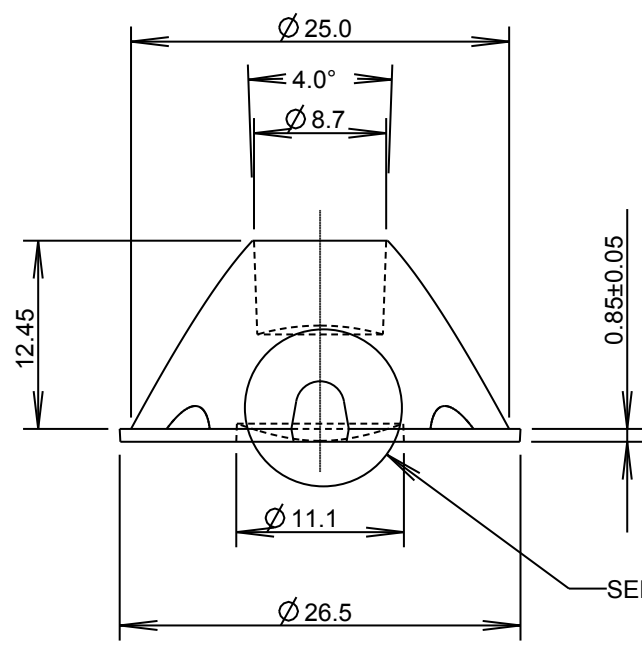


CARCLO TECHNICAL PLASTICS (SLOUGH) LTD.  
111 BUCKINGHAM AVE, SLOUGH  
SL1 4PF, ENGLAND  
TEL: +44 1753 575011 FAX: +44 1753 811359  
e-mail: design@ctcoil.co.uk}

**CUSTOMER DRAWING**



SCALE 1:1  
GENERAL VIEW



DETAIL A  
SCALE 4:1

MATERIAL: LEXAN LS2

GENERAL TOLERANCES (UNLESS STATED)

LINEAR	ANGULAR
X +/- 0.25	X +/- 1°
X.X +/- 0.1	X.X +/- 0.5°
X.XX +/- 0.05	X.XX +/- 0.1°

CUSTOMER

TITLE  
26.5mm OPTIC 0.8mm OFFSET  
TIGHT PLAIN

DRAWN M.K. DATE 2-June-08

CHK'D DATE

APP'D DATE

SCALE 2:1	COIL PART No. 10391
--------------	------------------------

SIZE A4	COIL DRG. No. 60507	SHEET 1 OF 1
------------	------------------------	-----------------