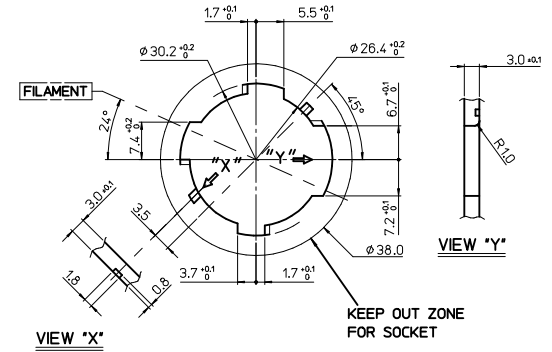
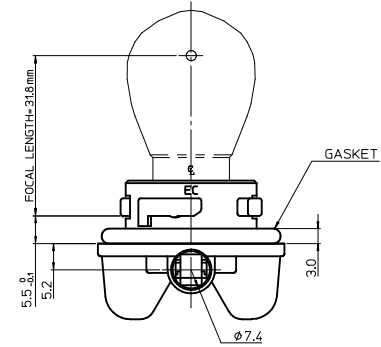
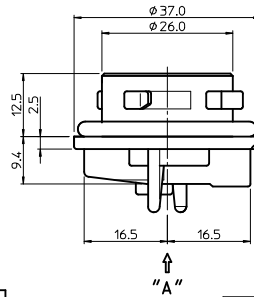
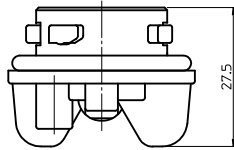
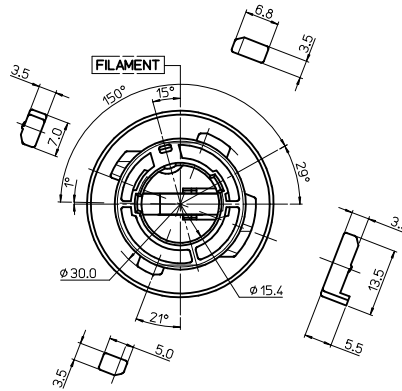
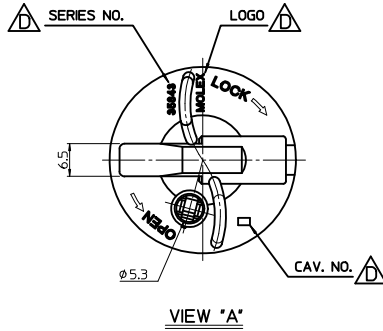


- NOTES
 1. FOCAL LENGTH = 31.8mm
 2. PRODUCT SPECIFICATION: PS-35842-001
 3. APPLICABLE BULB CAP: PY21W(BAU15s)
 4. MATES WITH

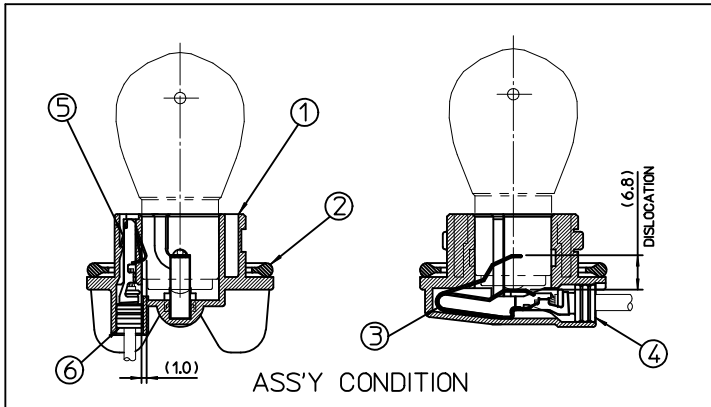
<PART LIST>

NO.	DESCRIPTION	MATERIAL	USAGE	REMARK
①	SINGLE SOCKET	PA66 M/F	1	EC TYPE
②	SEAL GASKET	NBR	1	BLACK

NO.	DESCRIPTION	MATERIAL	ORDER NO.	REMARK
③	POSITIVE TERMINAL	PHOSPHOR BRONZE	35464-8000	UNPLATED
④	POSITIVE WIRE SEAL	SILICONE	35903-0096	BROWN
⑤	EARTH TERMINAL	PHOSPHOR BRONZE	35465-8000	UNPLATED
⑥	EARTH WIRE SEAL	SILICONE	35903-0106	BLUE



MOUNTING INTERFACE (MI-1)



<TABLE 1>

MATERIAL NO.	ORDER NO.	COLOR
358431230	35843-1230	NATURAL
358431235	35843-1235	GRAY
358431236	35843-1236	WHITE
358431237	35843-1237	BROWN

REVISED EC NO: KOR2010-0146 DRWNEOKIM 2010/04/05 CHKD-WYANG 2010/04/05 APPR: YUNSIKKIM 2010/04/06	QUALITY SYMBOLS	GENERAL TOLERANCES (UNLESS SPECIFIED)	DIMENSION STYLE	SCALE	DESIGN UNITS	THIRD ANGLE PROJECTION
	▽=0 ∇=0	mm INCH 4 PLACES ± --- ± --- 3 PLACES ± --- ± --- 2 PLACES ± 0.15 ± --- 1 PLACE ± 0.25 ± --- ANGULAR ± 2 °	MM ONLY	1:1	METRIC	
		DRAFT WHERE APPLICABLE MUST REMAIN WITHIN DIMENSIONS	DRAWN BY	DATE	TITLE	
			YSIKKIM	1999/05/13	SEALED PT BULB SOCKET SINGLE HOUSING ASS'Y (EC-TYPE)	
			CHECKED BY	DATE		
			BKCHOI	1999/05/13		
			APPROVED BY	DATE		
			CWLEE	1999/05/13		
			MATERIAL NO.	DOCUMENT NO.		
			SEE TABLE 1			
			SIZE			
			A3			
			THIS DRAWING CONTAINS INFORMATION THAT IS PROPRIETARY TO MOLEX INCORPORATED AND SHOULD NOT BE USED WITHOUT WRITTEN PERMISSION			