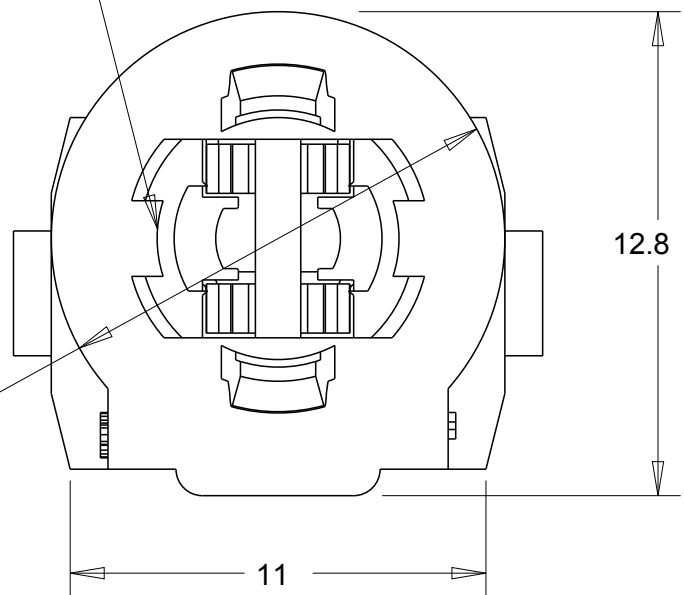
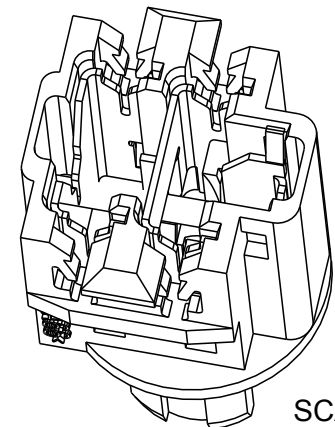
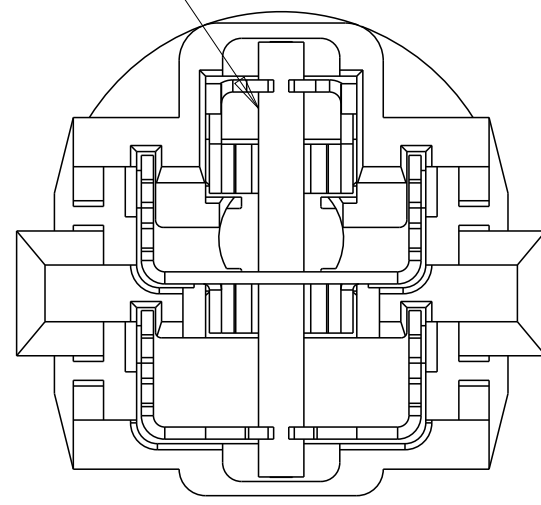
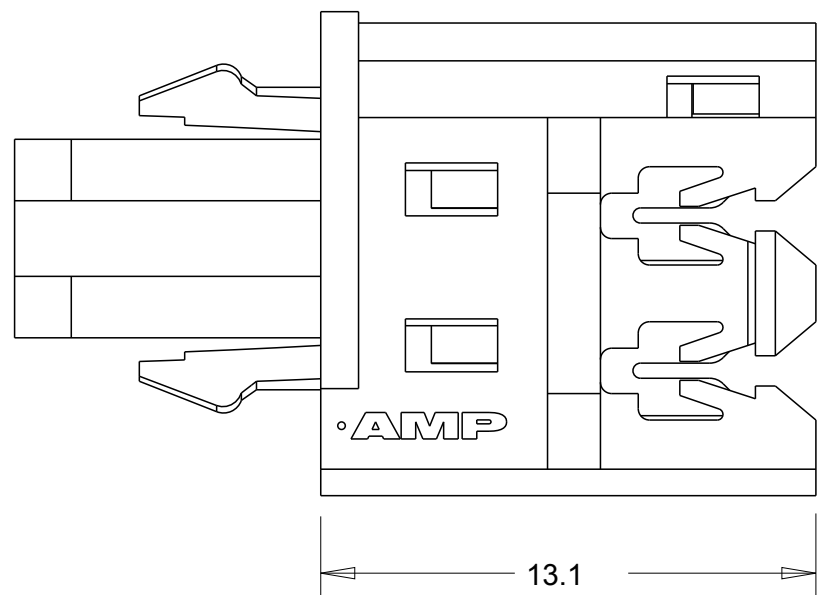


LOC	DIST	REVISIONS					
		P	LTR	DESCRIPTION	DATE	DWN	APVD
E	-		D	ECR-10-010252	24/05/10	MJG	JA

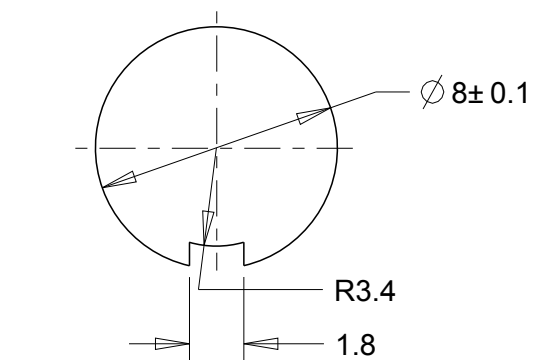
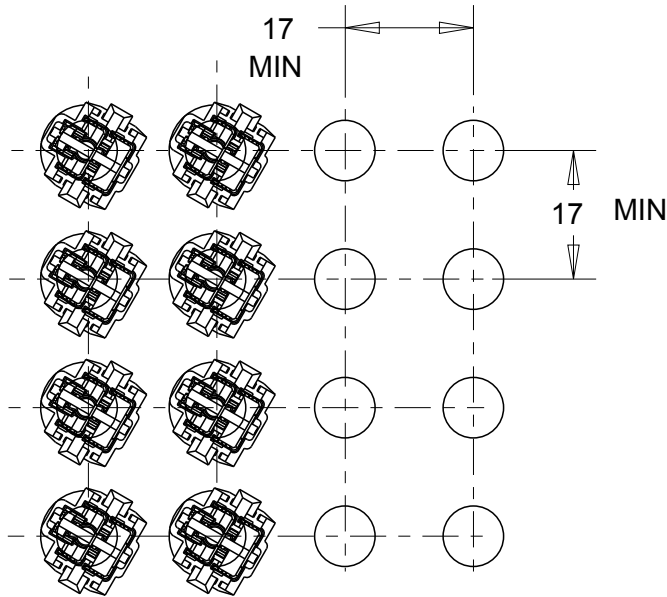
POLARIZING SLOT



INSULATED SHORTING LINK



SCALE 3:1



RECOMMENDED PANEL CUTOUT DIMS.
(CUTOUT TAB MAY BE OMITTED IF POLARIZING)
(IS NOT REQUIRED)

1 MATERIALS
HOUSING :- NYLON 66
CONTACTS :- BRASS

2 AMP PRODUCT SPEC No 108-3382.

3 AMP APPLICATION SPEC No 114-3185.

BULBHOLDER WITHOUT BULB		NATURAL	349495-2
DESCRIPTION		HOUSING COLOUR	PART NUMBER
DWN D.R.TERRY 18-MAR-96		 AMP of Great Britain Ltd Terminal House, Stanmore, Middx. HA7 4RS.	
CHK B.COOLBEAR 28-JUN-96			
APVD B.COOLBEAR 28-JUN-96		NAME	
PRODUCT SPEC 108-3382		5mm IDC BULBHOLDER ASSEMBLY	
APPLICATION SPEC 114-3185		WITHOUT DIODE	
WEIGHT -		SIZE A3	CAGE CODE 00779
CUSTOMER DRAWING		DRAWING NO C-349495	
		SCALE 5:1	SHEET 1 OF 1 REV D

THIS DRAWING IS A CONTROLLED DOCUMENT FOR AMP INCORPORATED. IT IS SUBJECT TO CHANGE AND THE CONTROLLING ENGINEERING ORGANIZATION SHOULD BE CONTACTED FOR THE LATEST REVISION.	
DIMENSIONS: mm	TOLERANCES UNLESS OTHERWISE SPECIFIED: LINEAR 0.5
	0 PLC ± -
	1 PLC ± -
	2 PLC ± -
	3 PLC ± -
	4 PLC ± -
	ANGLES ± -
MATERIAL 1	FINISH -

RECOMMENDED MAXIMUM PANEL DENSITY FOR MANUAL WIRE INSERTION TOOLS. CONSULT AMP FOR PITCHING DIMENSIONS IF USING POWERED TOOLING. SCALE 1:1
PANEL THICKNESS 1.5 TO 2.0