

- NOTES
1. FOCAL LENGTH = 31.8mm
 2. APPLICABLE BULB CAP: P21W(BA15s)
 3. MATES WITH

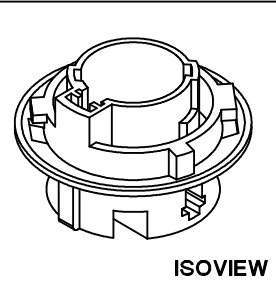
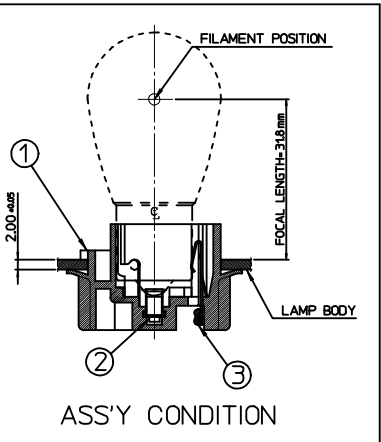
NO.	DESCRIPTION	MATERIAL	ORDER NO.	REMARK
②	POSITIVE TERMINAL	PHOSPHOR BRONZE	35438-8000	UNPLATED
③	EARTH TERMINAL	PHOSPHOR BRONZE	35439-8000	UNPLATED

<PART LIST>

NO.	DESCRIPTION	MATERIAL	USAGE	REMARK
①	SINGLE SOCKET	PA66 M/F	1	A TYPE

<TABLE 1>

MATERIAL NO.	ORDER NO.	COLOR
355330200	35533-0200	NATURAL
355330205	35533-0205	GRAY
355330206	35533-0206	WHITE



CHANGED OF NOTES
 EC NO: KOR2010-0023
 DRW:NEOKIM 2009/08/18
 CHKD:BCYOON 2009/08/19
 APPR:YUNSIKKIM 2009/08/20

QUALITY SYMBOLS	DESCRIPTION
▽=0	
∇=0	

GENERAL TOLERANCES (UNLESS SPECIFIED)		DIMENSION STYLE		SCALE
mm	INCH	MM ONLY		1:1
4 PLACES ± ---	± ---	DRAWN BY	DATE	TITLE
3 PLACES ± ---	± ---	JSKANG	1998/01/31	NON-SEALED BULB SOCKET SINGLE HOUSING ASS'Y (A-TYPE)
2 PLACES ± 0.2	± ---	CHECKED BY	DATE	
1 PLACE ± 0.3	± ---	BKCHOI	1998/01/31	
ANGULAR ± 3 °		APPROVED BY	DATE	
DRAFT WHERE APPLICABLE MUST REMAIN WITHIN DIMENSIONS		CWLEE	1998/01/31	MOLEX INCORPORATED
		MATERIAL NO.	DOCUMENT NO.	SHEET NO.
		SEE TABLE 1	SD-35533-001	1 OF 1

THIS DRAWING CONTAINS INFORMATION THAT IS PROPRIETARY TO MOLEX INCORPORATED AND SHOULD NOT BE USED WITHOUT WRITTEN PERMISSION