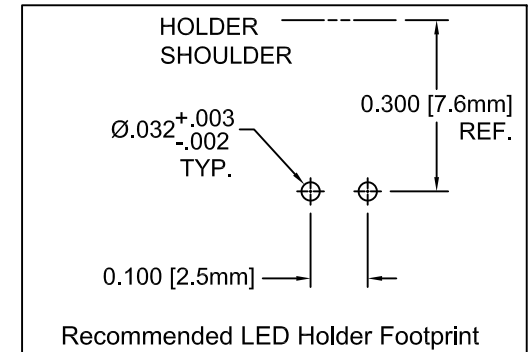
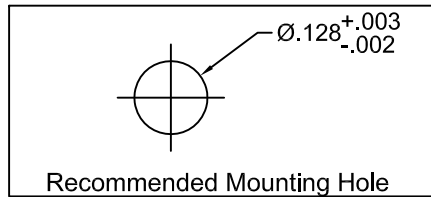
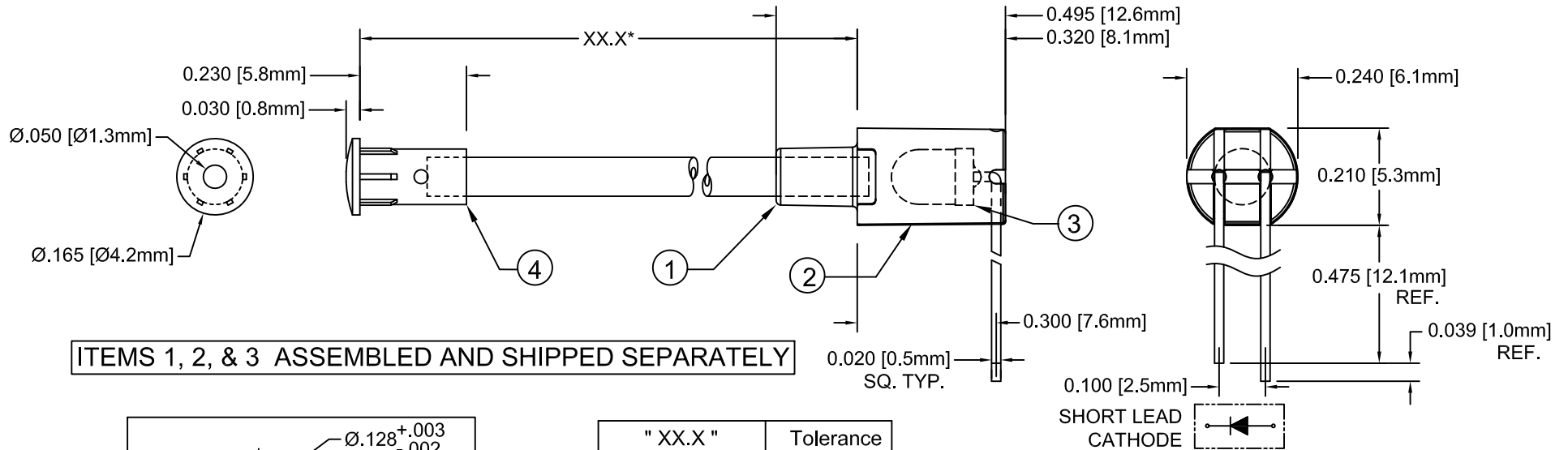


ITEM	Q'TY	PART NUMBER	PART DESCRIPTION
1	1	PML3-1	Bushing, FLEXible Light Pipe Adapter
2	1	PML3-2	Body, Flexible Light Pipe Adapter
3	1	3IR-940	T1 (3mm) Infrared LED
4	1	LC-IR-XX.X	IR Lens Cap / FLPC-XX.X Assembly. ( XX.X, Cut Length in Inches)

REV.	DESCRIPTION	DATE	APPROVED
A	Engineering Release.	03/22/10	T. Y.



LED OPTICAL / ELECTRICAL CHARACTERISTICS					
Parameter	Test Condition	Minimum	Typical	Maximum	Units
Radiant Intensity	I <sub>F</sub> = 50mA	11.78	33.4	-	mW/sr
Forward Voltage	I <sub>F</sub> = 50mA	-	1.25	1.5	V
Peak Wavelength	I <sub>F</sub> = 20mA	-	940	-	nm
Spectral Line-Half Width	I <sub>F</sub> = 20mA	-	50	-	nm
Viewing Angle	I <sub>F</sub> = 20mA	-	50	-	deg

LED ABSOLUTE MAXIMUM RATINGS		
Parameter	Maximum Rating	Unit
Power Dissipation	100	mW
Continuous Forward Current	100	mA
Peak Forward Current	1.0	A
Reverse Voltage	5	V
Reverse Current	10	uA

\* Lens Appearance: Blue Transparent

## ABSOLUTE TEMPERATURE RATINGS (Ta=25°C)

OPERATING TEMPERATURE RANGE \_\_\_\_\_ -25°C - 85°C

STORAGE TEMPERATURE \_\_\_\_\_ -30°C - 100°C

LEAD SOLDERING TEMPERATURE(1/16" FROM BODY) \_\_\_\_\_ 260°C FOR 5 SECONDS

STANDARD TOLERANCE ( UNLESS OTHERWISE SPECIFIED )			<b>BIVAR</b> <sup>®</sup> 4 THOMAS, IRVINE, CA. 92618 TEL: (949) 951-8808 FAX: (949) 951-3974	
DECIMALS	ANGULAR			
.X ±.1	X° ± 1°		<b>TITLE:</b> FLEXIBLE LIGHT-PIPE LED ADAPTER ASSY, IR	
.XX ±.02				<b>PART NO:</b> FLPIRRXX.XIR940
.XXX ±.010				<b>REVISION:</b> A
DESIGNED: <b>Raffy Paje</b>	DATE: <b>03/22/10</b>	<b>CAGE CODE:</b> 32559 <b>SHEET #</b> 1 <b>OF</b> 1		
CHECKED: <b>T. Yin</b>	DATE: <b>03/22/10</b>	CAD GENERATED DOCUMENT, DO NOT MEASURE DRAWING.		