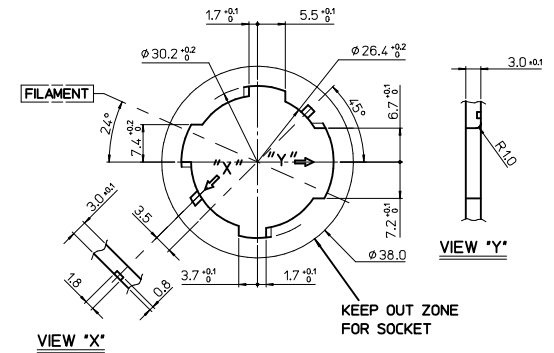
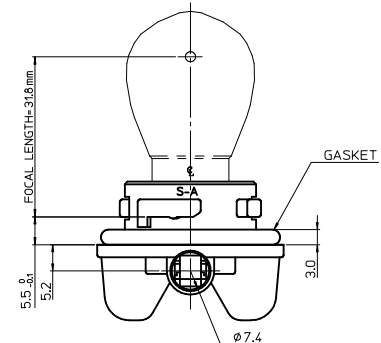
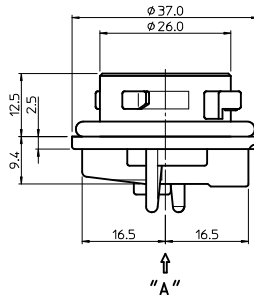
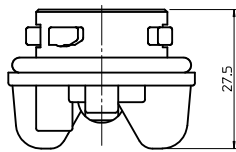
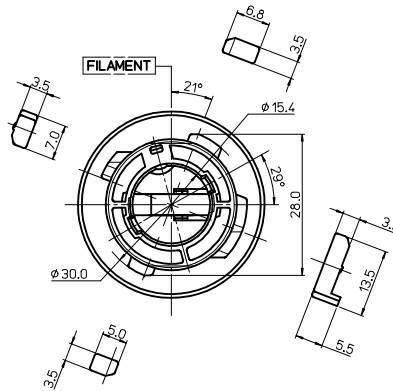
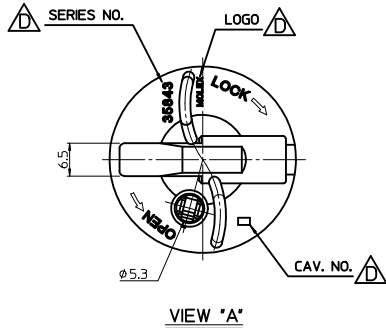


- NOTES
 1. FOCAL LENGTH = 31.8mm
 2. PRODUCT SPECIFICATION: PS-35842-001
 3. APPLICABLE BULB CAP: P21W(BA15s)
 4. MATES WITH

NO.	DESCRIPTION	MATERIAL	ORDER NO.	REMARK
③	POSITIVE TERMINAL	PHOSPHOR BRONZE	35464-8000	UNPLATED
④	POSITIVE WIRE SEAL	SILICONE	35903-0096	BROWN
⑤	EARTH TERMINAL	PHOSPHOR BRONZE	35465-8000	UNPLATED
⑥	EARTH WIRE SEAL	SILICONE	35903-0106	BLUE

<PART LIST>

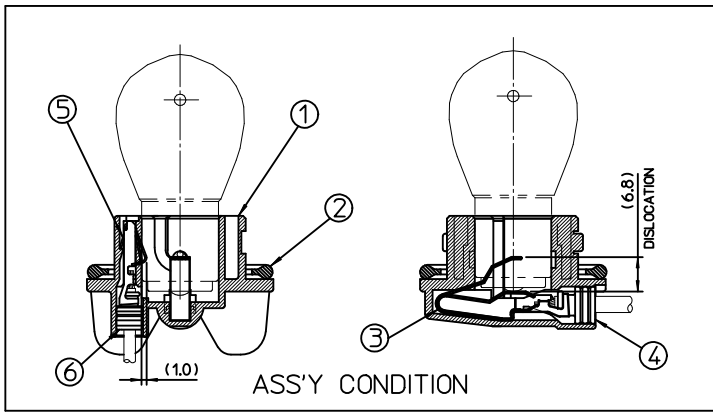
NO.	DESCRIPTION	MATERIAL	USAGE	REMARK
①	SINGLE SOCKET	PA66 M/F	1	A TYPE
②	SEAL GASKET	NBR	1	BLACK



MOUNTING INTERFACE (MI-1)

<TABLE 1>

MATERIAL NO.	ORDER NO.	COLOR
358431205	35843-1205	GRAY
358431206	35843-1206	WHITE



REV	DESCRIPTION	DATE	BY
D	REVISED	2010/04/06	YUNSIKIM
	EC NO: KOR2010-0146	2010/04/05	DRWNEKIM
	CHKD:WYANG	2010/04/05	CHYK-WYANG
	APPR:YUNSIKIM	2010/04/06	YUNSIKIM

QUALITY SYMBOLS	GENERAL TOLERANCES (UNLESS SPECIFIED)	
	mm	INCH
▽=0	4 PLACES ± ---	± ---
▽=0	3 PLACES ± ---	± ---
	2 PLACES ± 0.15	± ---
	1 PLACE ± 0.25	± ---
	ANGULAR ± 2 °	
	DRAFT WHERE APPLICABLE MUST REMAIN WITHIN DIMENSIONS	

DIMENSION STYLE		SCALE	DESIGN UNITS	THIRD ANGLE PROJECTION
MM ONLY		1:1	METRIC	THIRD ANGLE PROJECTION
DRAWN BY	DATE	TITLE		
YSIKKIM	1999/05/13	SEALED PT BULB SOCKET SINGLE HOUSING ASS'Y (A-TYPE)		
CHECKED BY	DATE	MOLEX INCORPORATED		
BKCHOI	1999/05/13			
APPROVED BY	DATE	MATERIAL NO. SD-35843-001		
CWLEE	1999/05/13	DOCUMENT NO. 1 OF 1		
THIS DRAWING CONTAINS INFORMATION THAT IS PROPRIETARY TO MOLEX INCORPORATED AND SHOULD NOT BE USED WITHOUT WRITTEN PERMISSION				