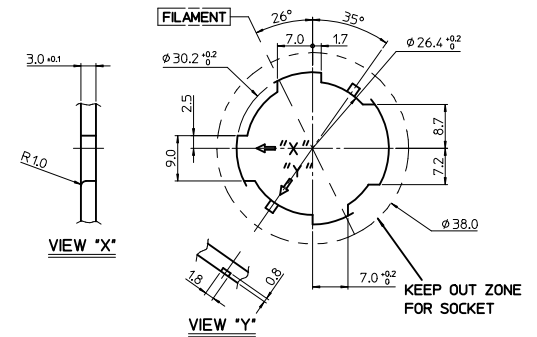
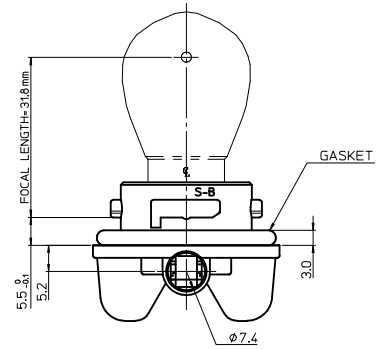
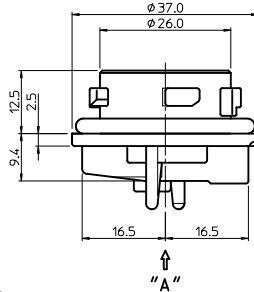
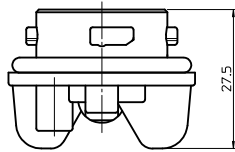
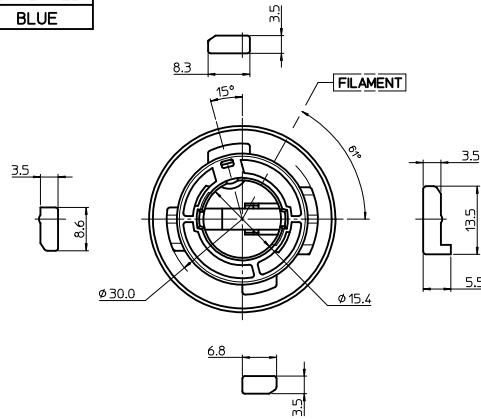
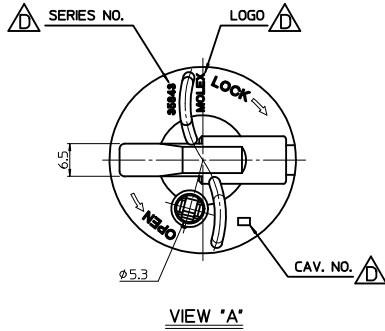


- NOTES
 1. FOCAL LENGTH =31.8mm
 2. PRODUCT SPECIFICATION: PS-35842-001
 3. APPLICABLE BULB CAP: P21W(BA15s)
 4. MATES WITH

NO.	DESCRIPTION	MATERIAL	ORDER NO.	REMARK
③	POSITIVE TERMINAL	PHOSPHOR BRONZE	35464-8000	UNPLATED
④	POSITIVE WIRE SEAL	SILICONE	35903-0096	BROWN
⑤	EARTH TERMINAL	PHOSPHOR BRONZE	35465-8000	UNPLATED
⑥	EARTH WIRE SEAL	SILICONE	35903-0106	BLUE

<PART LIST>

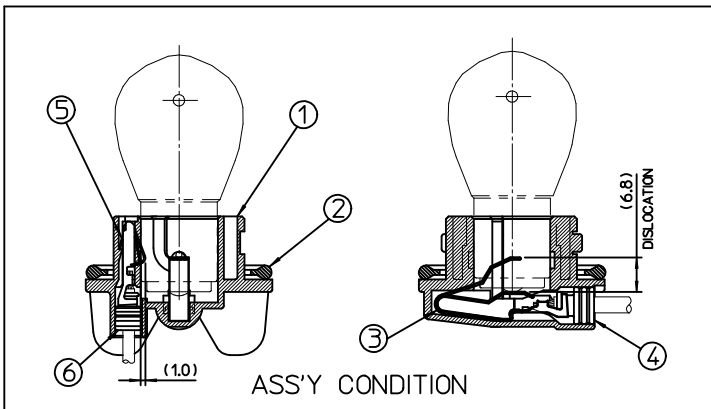
NO.	DESCRIPTION	MATERIAL	USAGE	REMARK
①	SINGLE SOCKET	PA66 M/F	1	B TYPE
②	SEAL GASKET	NBR	1	BLACK



<TABLE 1>

MATERIAL NO.	ORDER NO.	COLOR
358431210	35843-1210	NATURAL
358431211	35843-1211	BLACK
358431215	35843-1215	GRAY
358431216	35843-1216	WHITE
358431217	35843-1217	BROWN

MOUNTING INTERFACE (MI-2)



REVISED	EC NO: KOR2010-0146	2010/04/05	DRW:NEOKIM	2010/04/05	CHKD:WYANG	2010/04/06	APPR:YUNSIKIM	2010/04/06
D	DESCRIPTION	QUALITY SYMBOLS	GENERAL TOLERANCES (UNLESS SPECIFIED) mm INCH 4 PLACES ± --- ± --- 3 PLACES ± --- ± --- 2 PLACES ± 0.15 ± --- 1 PLACE ± 0.25 ± --- ANGULAR ± 2 °					

DRAFT WHERE APPLICABLE MUST REMAIN WITHIN DIMENSIONS

DIMENSION STYLE		SCALE	DESIGN UNITS	THIRD ANGLE PROJECTION
MM ONLY		1:1	METRIC	
DRAWN BY	DATE	TITLE		
YSIKKIM	1999/06/30	SEALED PT BULB SOCKET SINGLE HOUSING ASS'Y (B-TYPE)		
CHECKED BY	DATE	MOLEX INCORPORATED		
BKCHOI	1999/06/30	SD-35843-002		
APPROVED BY	DATE	SHEET NO.		
CWLEE	1999/06/30	1 OF 1		
MATERIAL NO.	DOCUMENT NO.	THIS DRAWING CONTAINS INFORMATION THAT IS PROPRIETARY TO MOLEX INCORPORATED AND SHOULD NOT BE USED WITHOUT WRITTEN PERMISSION		
SEE TABLE 1				