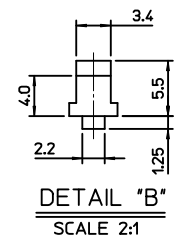
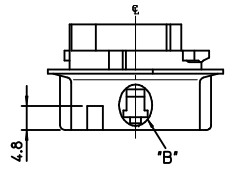
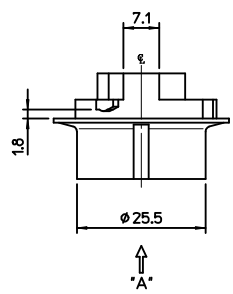
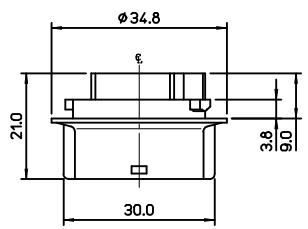
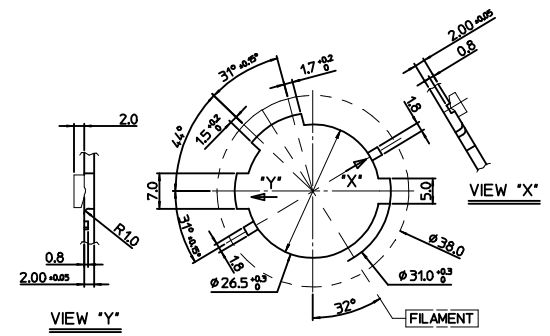
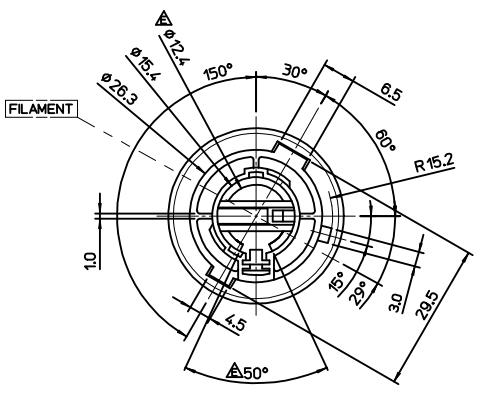
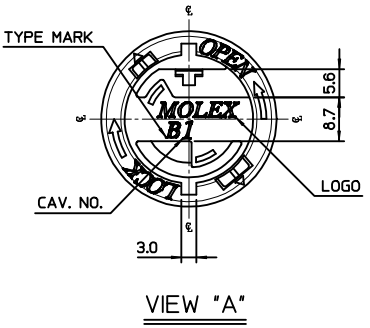


10 9 8 7 6 5 4 3 2 1

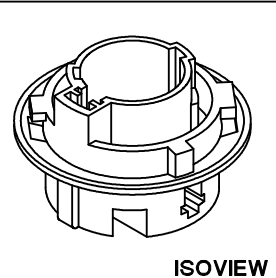
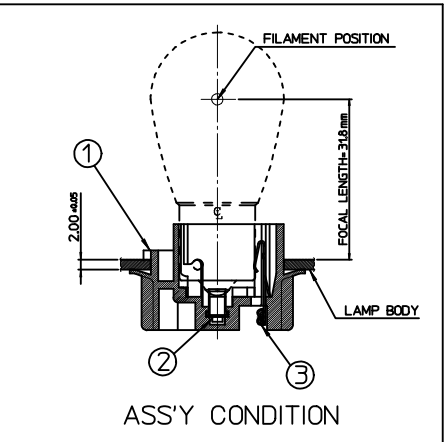


- NOTES**
1. FOCAL LENGTH = 31.8mm
  2. APPLICABLE BULB CAP: PY21W(BAU15s)
  3. MATES WITH

NO.	DESCRIPTION	MATERIAL	ORDER NO.	REMARK
②	POSITIVE TERMINAL	PHOSPHOR BRONZE	35438-8000	UNPLATED
③	EARTH TERMINAL	PHOSPHOR BRONZE	35439-8000	UNPLATED

**<PART LIST>**

NO.	DESCRIPTION	MATERIAL	USAGE	REMARK
①	SINGLE SOCKET	PA66 M/F	1	B TYPE



**CHANGED OF NOTES**  
 EC NO: KOR2010-0023  
 DR: WNEOKIM 2009/08/18  
 CHK: BGYOON 2009/08/19  
 APPR: YUNSIKKIM 2009/08/20

**QUALITY SYMBOLS**  
 ▽ = 0  
 ◻ = 0

**GENERAL TOLERANCES (UNLESS SPECIFIED)**

	mm	INCH
4 PLACES	± ---	± ---
3 PLACES	± ---	± ---
2 PLACES	± 0.2	± ---
1 PLACE	± 0.3	± ---
ANGULAR ± 3 °		

DRAFT WHERE APPLICABLE MUST REMAIN WITHIN DIMENSIONS

**DIMENSION STYLE MM ONLY**

DRAWN BY	DATE	TITLE
JSKANG	1998/01/31	NON-SEALED BULB SOCKET SINGLE HOUSING ASS'Y (B-TYPE)
CHECKED BY	DATE	
BKCHOI	1998/01/31	
APPROVED BY	DATE	
CWLEE	1998/01/31	

**<TABLE 1>**

MATERIAL NO.	ORDER NO.	COLOR
355330215	35533-0215	GRAY
355330216	35533-0216	WHITE

SCALE 1:1  
 DESIGN UNITS METRIC  
 THIRD ANGLE PROJECTION

**NON-SEALED BULB SOCKET SINGLE HOUSING ASS'Y (B-TYPE)**

**MOLEX INCORPORATED**

SEE TABLE 1  
 MATERIAL NO. SD-35533-002  
 DOCUMENT NO. SHEET NO. 1 OF 1

THIS DRAWING CONTAINS INFORMATION THAT IS PROPRIETARY TO MOLEX INCORPORATED AND SHOULD NOT BE USED WITHOUT WRITTEN PERMISSION

9 8 7 6 5 4 3 2 1