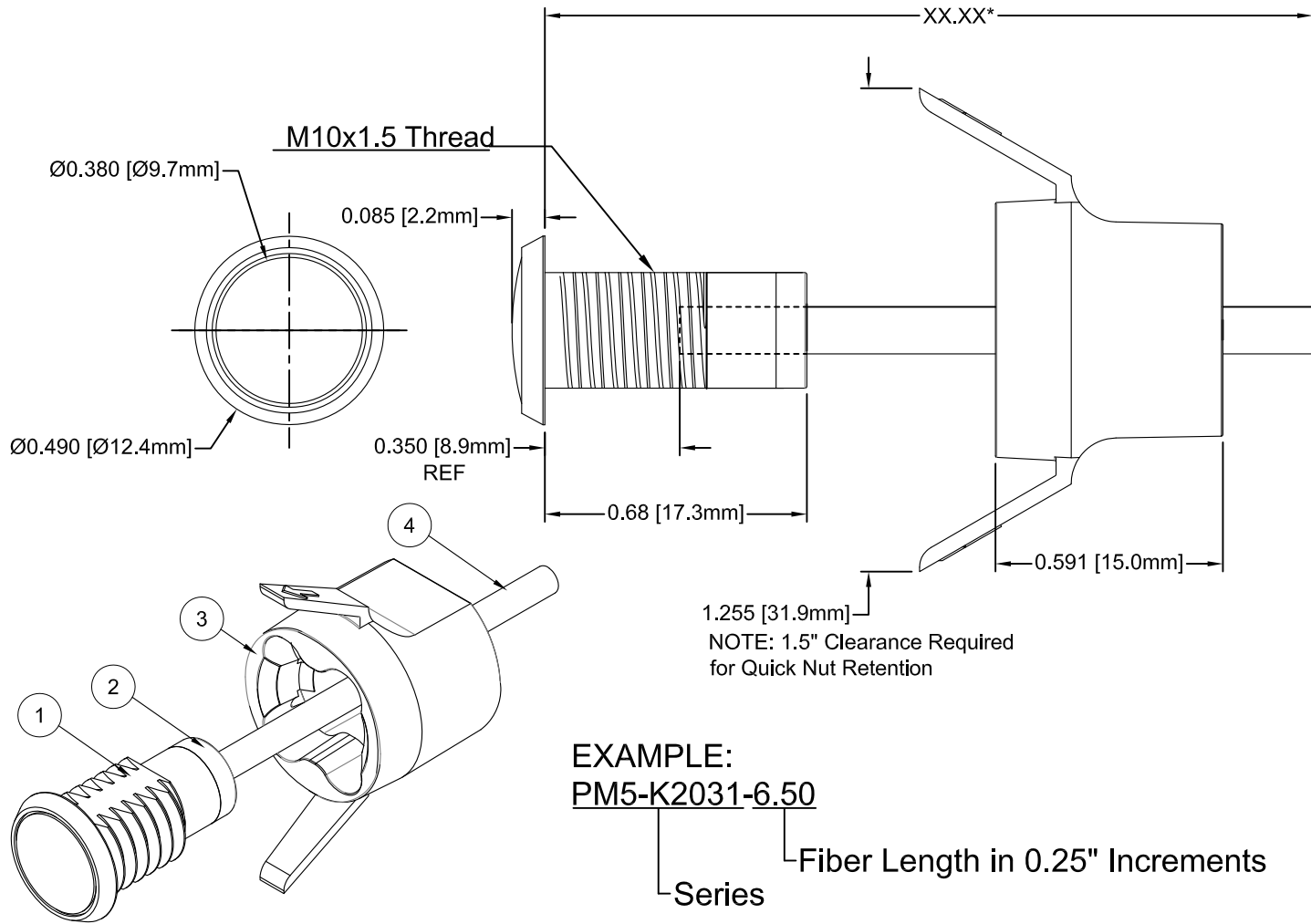
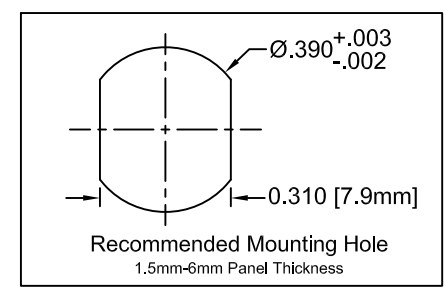


ITEM	Q'TY	PART NUMBER	PART DESCRIPTION
1	1	PM5-PL	5mm Polycarbonate Panel Mount Housing
2	1	PM5-FP31	3.1mm to 5mm Flexible Light Pipe Adapter
3	1	PM5-KN	5mm Quick Nut
4	1	FLPS2031-XX.X	2mm x 3.1mm Flexible Light Pipe



REV.	DESCRIPTION	DATE	APPROVED
B	Engineering Release	06/19/12	T. Y.



*Length "XX.XX"	Tolerance
2.50" ~ 16.00"	±0.050"
16.25" ~ 40.00"	±0.15"
40.25" ~ 80.00"	±0.30"
80.25" ~ 500.0"	±0.5%



- NOTES:
1. TO INSTALL, INSERT HOLDER THROUGH PANEL AND PRESS QUICK NUT ON TO HOLDER AS SHOWN. TABS WILL DEFORM FOR RETENTION
 2. ROHS COMPLIANT
 3. MOUNTING HARDWARE SHIPPED NON-ASSEMBLED
 4. TO REMOVE, TWIST QUICK NUT 90° AND PULL

STANDARD TOLERANCE (UNLESS OTHERWISE SPECIFIED)		 BIVAR [®] 4 THOMAS, IRVINE, CA. 92618 TEL: (949) 951-8808 FAX: (949) 951-3974	
DECIMALS	ANGULAR		
.X ±.1	X° ± 1°	 TITLE: Quick-Mount Panel Mount Flexible Light Pipe Indicator	
.XX ±.02			
.XXX ±.010		PART NO: PM5-K2031-XX.XX REVISION: B	
DESIGNED: Brian Oliver	DATE: 04/12/12	CAGE CODE : 32559 SHEET # 1 OF 1	
CHECKED: T. Yin	DATE: 04/12/12	CAD GENERATED DOCUMENT, DO NOT MEASURE DRAWING.	