

CUSTOMER DRAWING

©2008 CARCLO
ALL DIMENSIONS IN mm

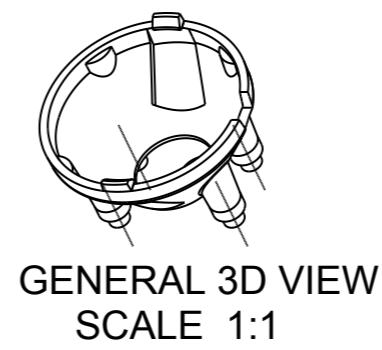
ISS.	DATE	E.C.N.	DESCRIPTION
1	06-06-07		FIRST ISSUE
2	27-11-07		LEG LENGTH TABLE ADDED
3	06-08-08		EXTRA LEG LENGTHS ADDED TO TABLE
4	16-10-08	10/08/1232	DRAFT INCREASED ON INSIDE DIAMETER



CARCLO TECHNICAL PLASTICS (SLOUGH) LTD.
111 BUCKINGHAM AVE, SLOUGH
SL1 4PF, ENGLAND
TEL: +44 1753 575011 FAX: +44 1753 811359
email: design@coil.co.uk

GENERAL TOLERANCES (UNLESS STATED)

LINEAR		ANGULAR	
X	+/- 0.25	X	+/- 1°
X.X	+/- 0.1	X.X	+/- 0.5°
X.XX	+/- 0.05	X.XX	+/- 0.1°



NOT ALL PARTS ARE AVAILABLE FROM STOCK.
SOME PARTS ARE SPECIAL ORDER ONLY. PLEASE
CONTACT CARCLO FOR CURRENT AVAILABILITY

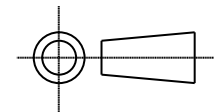
PART NUMBERS						
DIM A	WHITE HOLDERS			BLACK HOLDERS		
	DIM. B 4.3 mm	DIM. B 2.0 mm	DIM. B 0.8 mm	DIM. B 4.3 mm	DIM. B 2.0 mm	DIM. B 0.8 mm
14.0	10440	10450	10460	10470	10480	10490
14.2	10441	10451	10461	10471	10481	10491
14.4	10442	10452	10462	10472	10482	10492
14.6	10443	10453	10463	10473	10483	10493
14.8	10444	10454	10464	10474	10484	10494
15.0	10445	10455	10465	10475	10485	10495
15.2	10446	10456	10466	10476	10486	10496
15.4	10447	10457	10467	10477	10487	10497
15.6	10448	10458	10468	10478	10488	10498
15.8	10449	10459	10469	10479	10489	10499

- NOTES:-
1. MATERIAL: POLYCARBONATE
2. COLOUR: SEE TABLE

CUSTOMER		
TITLE 26.5MM DIA OPTIC 4 LEG HOLDER		
DRAWN MK	DATE 06-June-04	
CHK'D	DATE	
APP'D	DATE	
SCALE 2:1	COIL PART No. SEE TABLE	
SIZE A3	COIL DRG. No. 60475	SHEET 1 OF 2

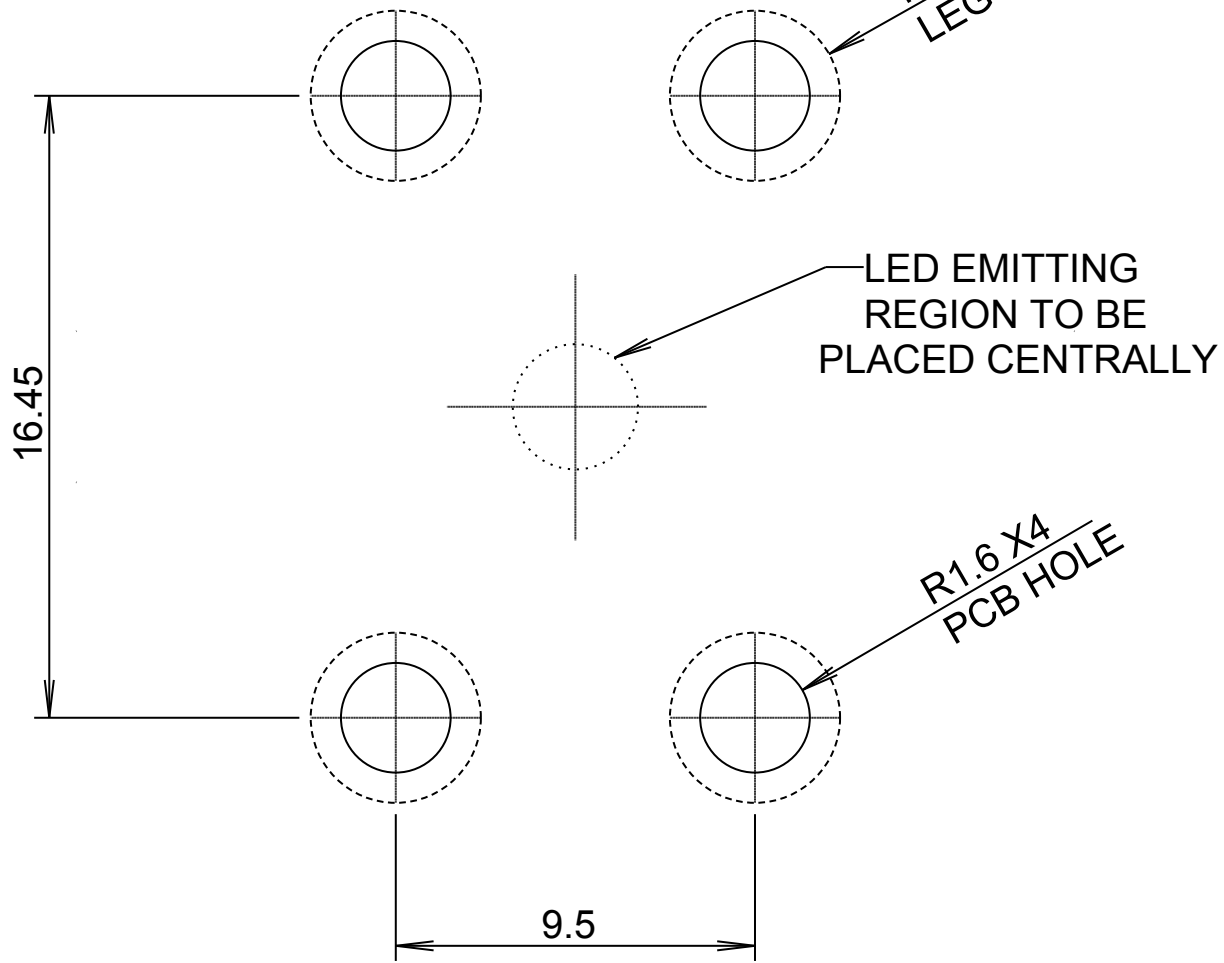
ISS.	DATE	E.C.N.	DESCRIPTION
4	16-10-08	10/O8/1232	DRAFT INCREASE ON INSIDE DIAMETER

© 2008 CARCLO
ALL DIMENSIONS IN mm



CARCLO TECHNICAL PLASTICS (SLOUGH)
111 BUCKINGHAM AVE, SLOUGH
SL1 4PF, ENGLAND
TEL: +44 1753 575011 FAX: +44 1753 811359
e-mail: design@carclo-optics.com

PCB LAYOUT DIAGRAM



GENERAL TOLERANCES (UNLESS STATED)

LINEAR	ANGULAR
X +/- 0.25	X +/- 1°
X.X +/- 0.1	X.X +/- 0.5°
X.XX +/- 0.05	X.XX +/- 0.1°

CUSTOMER		
CARCLO		
TITLE		
26.5MM DIA OPTIC 4 LEG HOLDER		
DRAWN	DATE	
AJD		05-June-07
CHK'D	DATE	
APP'D	DATE	
SCALE		CARCLO PART No.
5:1		SEE TABLE
SIZE	CARCLO DRG. No.	SHEET
A4	60475	2 OF 2