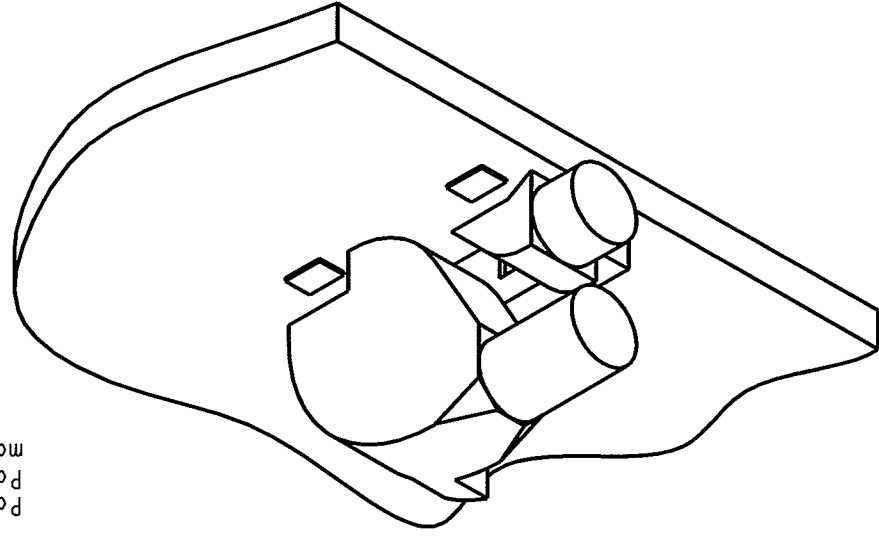
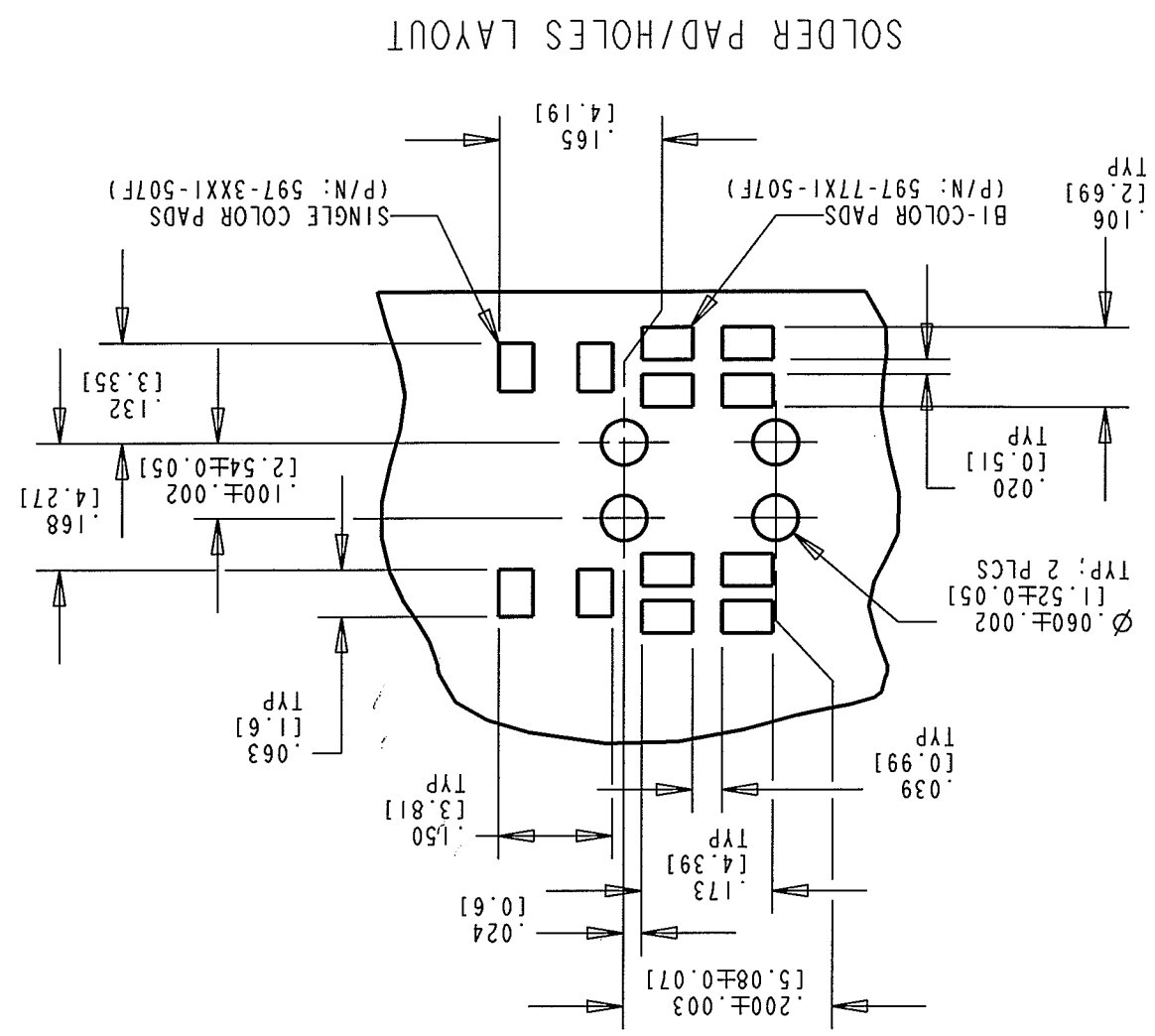
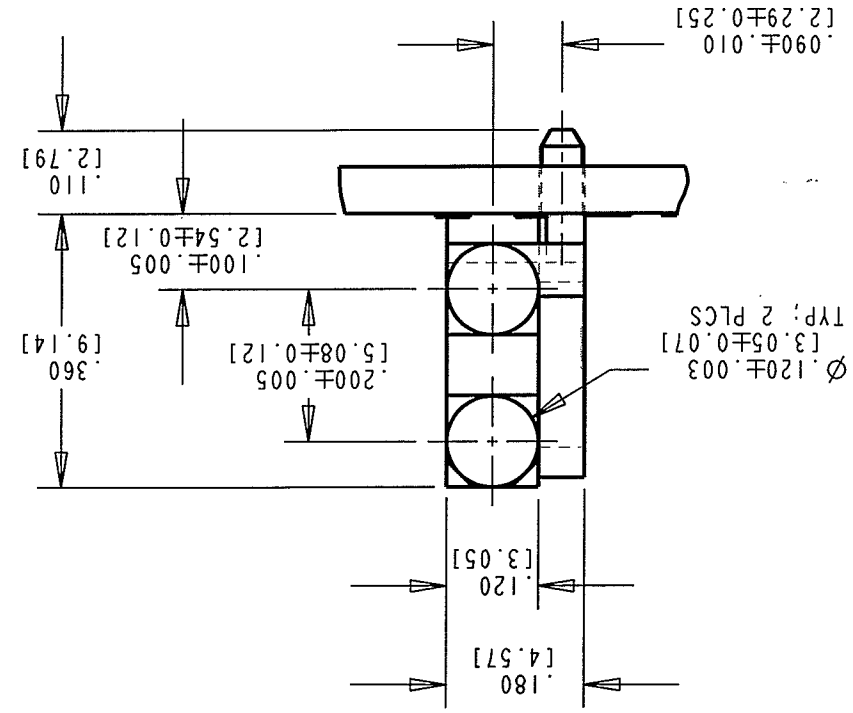
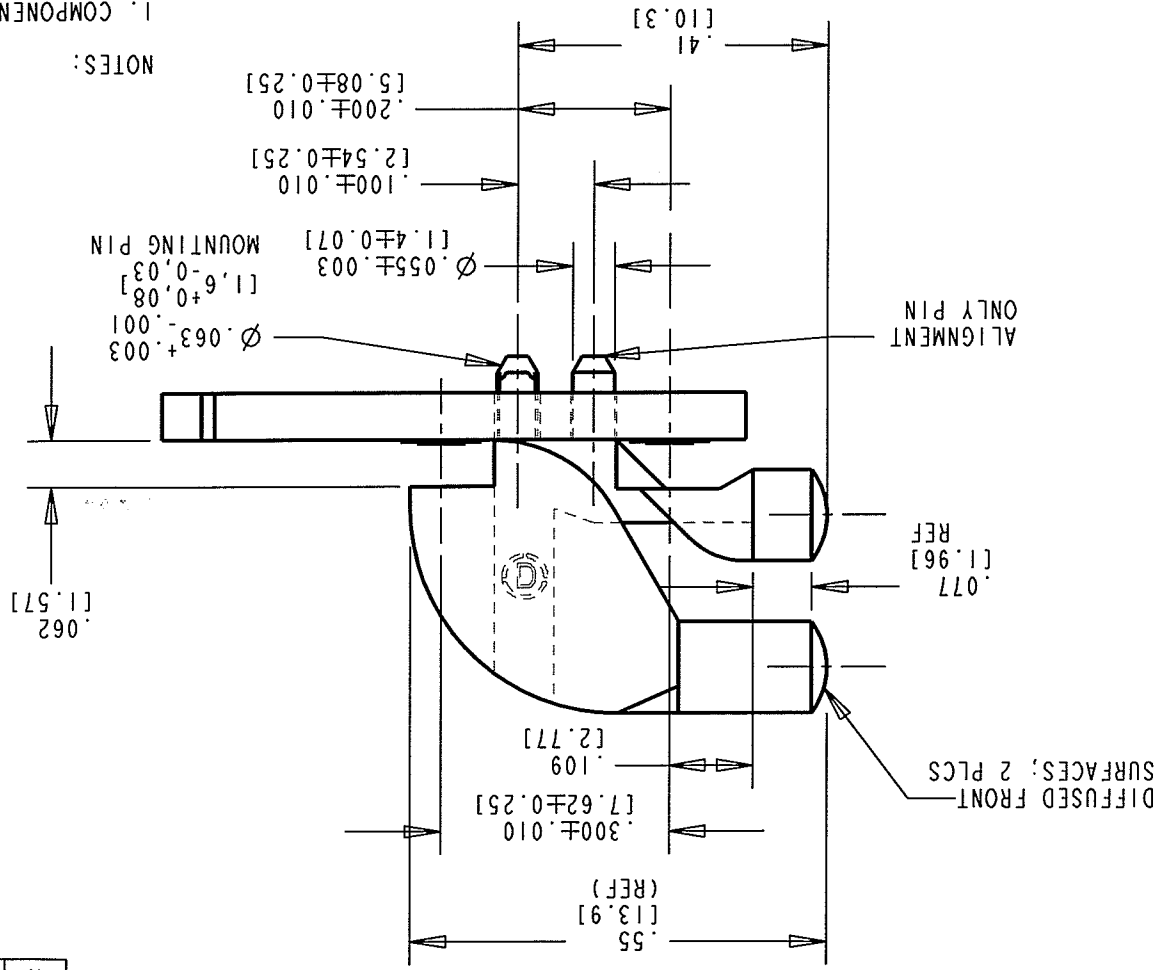


REV	ECN NO	REVISIONS	DRN	CKD	APP	DATE
A		NEW RELEASE	KLJ	M.G.	9/3/08	



- NOTES:
- COMPONENTS TO BE MOLDED IN A CLEAR TRANSMISSIVE POLYCARBONATE (UL 94V-0 FLAMMABILITY).
  - MINIMUM ALLOWABLE PITCH IS .200 FOR EITHER BI-COLOR OR SINGLE.
  - COMPONENTS DESIGNED TO BE PRESSED INTO P.C. BOARD.
  - OPERATING/STORAGE TEMPERATURE: -30°C TO +100°C
  - RECOMMENDED LIGHT SOURCES: SINGLE OR BI-COLOR SMT LEDS (DIALIGHT P/N'S: 597-3XX1-50XF, 597-77X1-50XF)
  - DIALIGHT PART NUMBER: 515-1061F
- Part Numbers with the "F" suffix ending are RoHS Compliant. Packaging is marked with "RoHS Compliant" label or equivalent markings.

**RoHS COMPLIANT 515-1061F**

THIS DRAWING AND THE CONTENTS HEREIN ARE CONFIDENTIAL AND THE SOLE PROPERTY OF DIALIGHT. REPRODUCTION OF THIS DRAWING OR CONSTRUCTION OF ANY PARTS WITHIN THIS DRAWING ARE FORBIDDEN WITHOUT THE WRITTEN CONSENT OF DIALIGHT.

SCALE: DRAWING SCALE	DRAWING NUMBER	REV
ALL DIM'S. IN: INCHES (MM)	C-17655	A
TOLERANCES: UNLESS OTHERWISE SPECIFIED		
FRACTIONS: ±1/64		
DECIMALS (.XX): ±.02		
DECIMALS (.XXX): ±.015		
DECIMALS (.XXXX): ±.0005		
ANGLES: ±3°		
FINISH:		
MATERIAL	BI-LEVEL LIGHT PIPE	
	RoHS COMPLIANT	
FSCM	83330	
SHEET 1 OF 1	FAMILY TABLE:	
Dialight		
1501 ROUTE 34 SOUTH FARMINGDALE, NJ 07127		