

# LCD Module Technical Specification

Type No. **DMF-50426NYJ-SLY-AEE-AFN**



Approved by (Quality Assurance Division)



Checked by (ACI Engineering Division)

**T. Yuchi**

Prepared by (ACI Engineering Division)

## Table of Contents

|   |    |
|---|----|
| 1. General Specifications .....                 | 2  |
| 2. Electrical Specifications .....              | 3  |
| 3. Optical Specifications .....                 | 8  |
| 4. I/O Terminal .....                           | 10 |
| 5. Test .....                                   | 12 |
| 6. Appearance Standards .....                   | 13 |
| 7. Code System of Production Lot .....          | 16 |
| 8. Type Number .....                            | 16 |
| 9. Applying Precautions .....                   | 16 |
| 10. Precautions Relating Product Handling ..... | 17 |
| 11. Warranty .....                              | 18 |

## Revision History

| Rev. | Date | Page | Comment |
|------|------|------|---------|
|      |      |      |         |

## 1.General Specifications

|                    |   |  |
|--------------------|---|--|
| Operating Temp.    | : | min. -20°C ~max. 70°C  |
| Storage Temp.      | : | min. -20°C ~max. 70°C  |
| Dot Pixels         | : | 128 (W) × 32 (H) dots  |
| Dot Size           | : | 0.40 (W) × 0.48 (H) mm   |
| Dot Pitch          | : | 0.43 (W) × 0.51 (H) mm   |
| Viewing Area       | : | 60.0 (W) × 21.3 (H) mm   |
| Outline Dimensions | : | 75.0 (W) × 41.5 (H) × 8.5 max. (D) mm  |
| Weight             | : | 30g max.   |
| LCD Type           | : | NSD-13050<br>( STN / Yellow-mode / Transflective )   |
| Viewing Angle      | : | 6:00   |
| Data Transfer      | : | 8-bit parallel data transfer   |
| Backlight          | : | LED Backlight / Yellow-green   |
| Drawings           | : | Dimensional Outline UE-35371B  |
| RoHS regulation    | : | To our best knowledge, this product satisfies material requirement of RoHS regulation.<br>Our company is doing the best efforts to obtain the equivalent certificate from our suppliers. |

## 2. Electrical Specifications

### 2.1. Absolute Maximum Ratings

V<sub>SS</sub>=0V

| Parameter                     | Symbol                           | Conditions | Min. | Max.                 | Units |
|-------------------------------|----------------------------------|------------|------|----------------------|-------|
| Supply Voltage<br>(Logic)     | V <sub>DD</sub> -V <sub>SS</sub> | -          | -0.3 | 7.0                  | V     |
| Supply Voltage<br>(LCD Drive) | V <sub>DD</sub> -V <sub>LC</sub> | -          | -0.3 | 17.0                 | V     |
| Input Voltage                 | V <sub>I</sub>                   | -          | -0.3 | V <sub>DD</sub> +0.3 | V     |

### 2.2. DC Characteristics

T<sub>a</sub>=25°C, V<sub>SS</sub>=0V

| Parameter                     | Symbol                           | Conditions                              | Min.                | Typ. | Max.                | Units |
|-------------------------------|----------------------------------|---|---------------------|------|---------------------|-------|
| Supply Voltage<br>(Logic)     | V <sub>DD</sub> -V <sub>SS</sub> | -                                       | 4.5                 | -    | 5.5                 | V     |
| Supply Voltage<br>(LCD Drive) | V <sub>DD</sub> -V <sub>LC</sub> | Shown in 3.1                            |                     |      |                     | V     |
| High Level<br>Input Voltage   | V <sub>IH1</sub>                 | V <sub>DD</sub> =5.0V±10%<br>Note 1     | 0.7×V <sub>DD</sub> | -    | V <sub>DD</sub>     | V     |
|                               | V <sub>IH2</sub>                 | V <sub>DD</sub> =5.0V±10%<br>Note 2     | 2.0                 | -    | V <sub>DD</sub>     | V     |
| Low Level<br>Input Voltage    | V <sub>IL1</sub>                 | V <sub>DD</sub> =5.0V±10%<br>Note 1     | 0                   | -    | 0.3×V <sub>DD</sub> | V     |
|                               | V <sub>IL2</sub>                 | V <sub>DD</sub> =5.0V±10%<br>Note 2     | 0                   | -    | 0.8                 | V     |
| High Level<br>Output Voltage  | V <sub>OH</sub>                  | I <sub>OH</sub> =-0.205mA               | 2.4                 | -    | -                   | V     |
| Low Level<br>Output Voltage   | V <sub>OL</sub>                  | I <sub>OL</sub> =1.2mA                  | -                   | -    | 0.4                 | V     |
| Supply Current                | I <sub>DD</sub>                  | V <sub>DD</sub> -V <sub>SS</sub> =5.0V  | -                   | 2.0  | 5.0                 | mA    |
|                               | I <sub>LC</sub>                  | V <sub>DD</sub> -V <sub>LC</sub> =13.1V | -                   | 1.8  | 4.0                 | mA    |

Note 1 : Apply to RST

Note 2 : Apply to DB0~DB7,  $\overline{CS1}$ ,  $\overline{CS2}$ , R/W, D/I, E

## 2.3.AC Characteristics

### 2.3.1.Timing Characteristics

$V_{DD}=5.0V\pm 10\%$

| Parameter             | Symbol             | Conditions | Min. | Max. | Units |
|-----------------------|--------------------|------------|------|------|-------|
| Enable Cycle Time     | $t_{CYC}$          | Fig.1, 2   | 1000 | -    | ns    |
| Enable Pulse Width    | $PW_{EH}, PW_{EL}$ | Fig.1, 2   | 450  | -    | ns    |
| Enable Rise/Fall Time | $t_r, t_f$         | Fig.1, 2   | -    | 25   | ns    |
| Address Setup Time    | $t_{AS}$           | Fig.1, 2   | 140  | -    | ns    |
| Address Hold Time     | $t_{AH}$           | Fig.1, 2   | 10   | -    | ns    |
| Write Data Setup Time | $t_{DSW}$          | Fig.1      | 200  | -    | ns    |
| Write Data Hold Time  | $t_{DHW}$          | Fig.1      | 10   | -    | ns    |
| Read Data Delay Time  | $t_{DDR}$          | Fig.2      | -    | 320  | ns    |
| Read Data Hold Time   | $t_{DHR}$          | Fig.2      | 20   | -    | ns    |

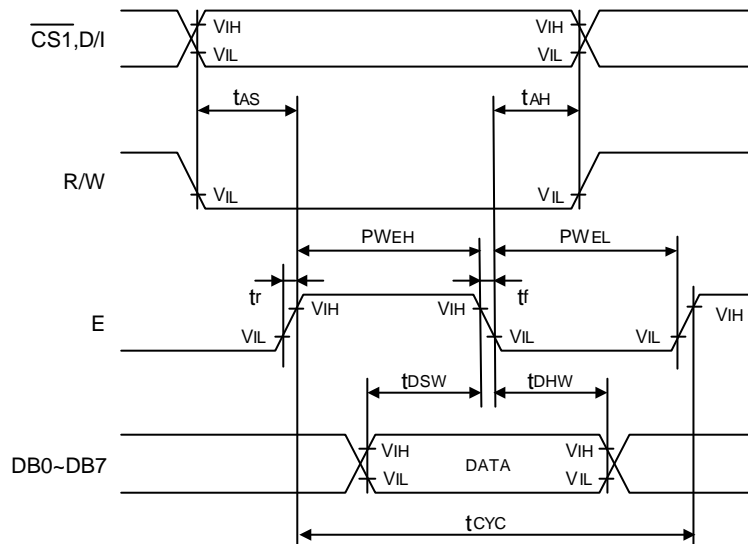


Fig.1 Write Operation Timing

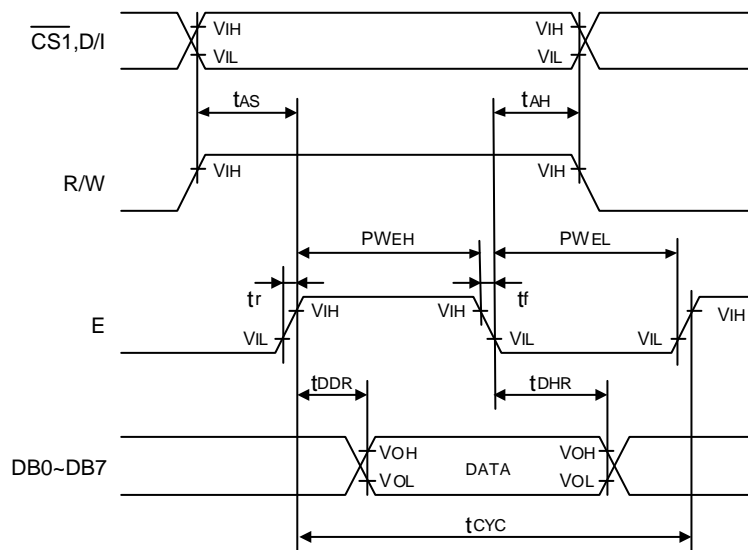
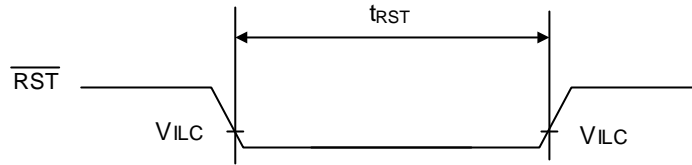


Fig.2 Read Operation Timing

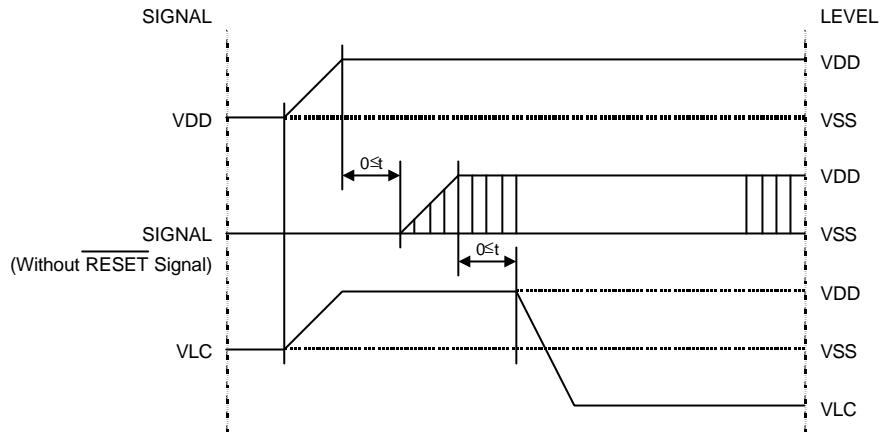
### 2.3.2. Power Supply Initial Conditions

| Parameter            | Symbol    | Min. | Max. | Units |
|----------------------|-----------|------|------|-------|
| Reset Low Level Time | $t_{RST}$ | 1.0  | -    | ms    |

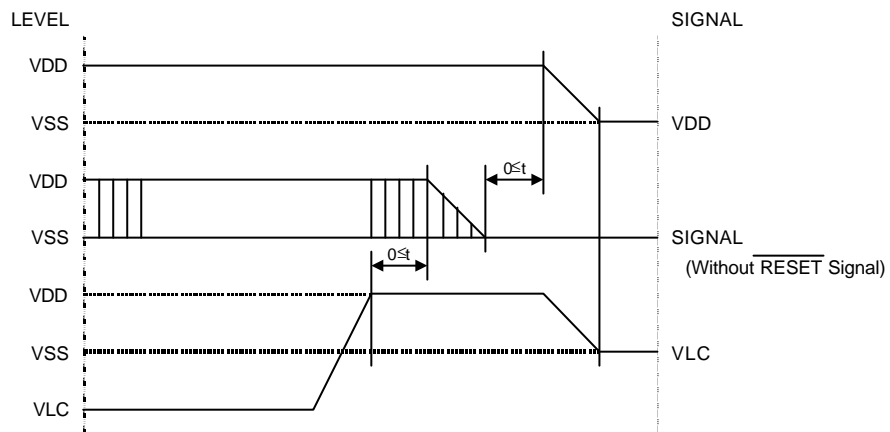


## 2.4. Power Supply ON/OFF Sequence

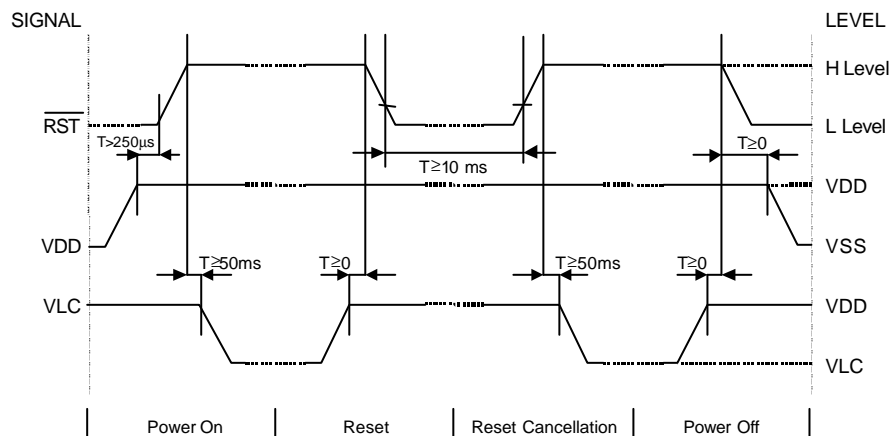
### 2.4.1. ON Sequence



### 2.4.2. OFF Sequence



### 2.4.3. Reset Sequence



Please maintain the above sequence when turning on and off the power supply of the module.

If  $V_{LC}$  is supplied to the module while internal alternate signal for LCD driving (M) is unstable or  $\overline{RST}$  is active, DC component will be supplied to the LCD panel. This may cause damage to the LCD module.

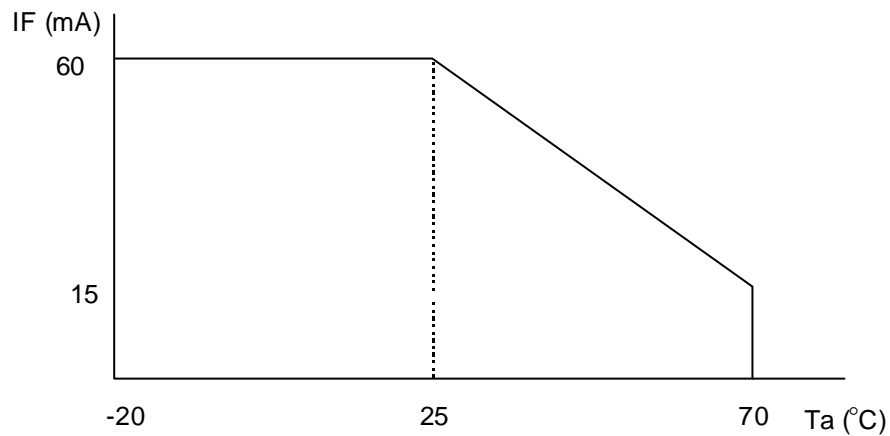
## 2.5. Lighting Specifications

### 2.5.1. Absolute Maximum Ratings

Ta=25°C

| Parameter             | Symbol         | Conditions | Min. | Typ. | Max. | Units |
|-----------------------|----------------|------------|------|------|------|-------|
| Foward Current        | I <sub>F</sub> | Note 1     | -    | -    | 20   | mA    |
| Reverse Voltage       | V <sub>R</sub> | -          | -    | -    | 8    | V     |
| LED Power Dissipation | P <sub>D</sub> | -          | -    | -    | 0.3  | W     |

Note 1 : Refer to the foward current derating curve.



### 2.5.2. Operating Characteristics

Ta=25°C

| Parameter                      | Symbol         | Conditions           | Min. | Typ. | Max. | Units             |
|--------------------------------|----------------|----------------------|------|------|------|-------------------|
| Foward Voltage                 | V <sub>F</sub> | I <sub>F</sub> =30mA | 3.65 | 4.10 | 4.45 | V                 |
| Luminance of Backlight Surface | L              | I <sub>F</sub> =30mA | 6.5  | -    | -    | cd/m <sup>2</sup> |

### 3. Optical Specifications

#### 3.1. LCD Driving Voltage

| Parameter                                    | Symbol                         | Conditions             | Min. | Typ. | Max. | Units |
|--|--------------------------------|------------------------|------|------|------|-------|
| Recommended<br>LCD Driving Voltage<br>Note 1 | V <sub>DD-V<sub>LC</sub></sub> | T <sub>a</sub> = -20°C | -    | -    | 15.2 | V     |
|  |                                | T <sub>a</sub> =25°C   | 12.2 | 13.1 | 14.0 | V     |
|  |                                | T <sub>a</sub> =70°C   | 10.5 | -    | -    | V     |

Note 1 : Voltage (Applied actual waveform to LCD Module) for the best contrast. The range of minimum and maximum shows tolerance of the operating voltage. The specified contrast ratio and response time are not guaranteed over the entire range.

#### 3.2. Optical Characteristics

T<sub>a</sub>=25°C, 1/64 Duty, 1/9 Bias, V<sub>D</sub>=13.1V (Note 4), θ= 0°, φ= - °

| Parameter             | Symbol       | Conditions       | Min. | Typ. | Max. | Units |
|-----------------------|--------------|------------------|------|------|------|-------|
| Contrast Ratio Note 1 | CR           | θ= 0°, φ= - °    | -    | 6    | -    |       |
| Viewing Angle         |              | Shown in 3.3     |      |      |      |       |
| Response<br>Time      | Rise Note 2  | T <sub>ON</sub>  | -    | 75   | 150  | ms    |
|                       | Decay Note 3 | T <sub>OFF</sub> | -    | 125  | 200  | ms    |

Note 1 : Contrast ratio is defined as follows.

$$CR = L_{OFF} / L_{ON}$$

L<sub>ON</sub> : Luminance of the ON segments

L<sub>OFF</sub> : Luminance of the OFF segments

Note 2 : The time that the luminance level reaches 90% of the saturation level from 0% when ON signal is applied.

Note 3 : The time that the luminance level reaches 10% of the saturation level from 100% when OFF signal is applied.

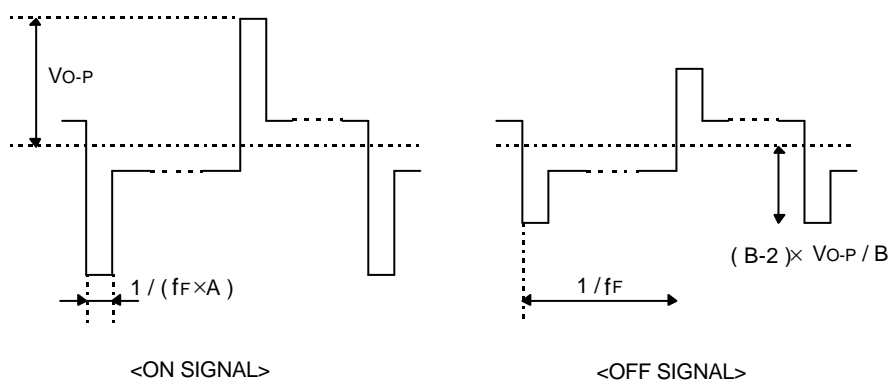
Note 4 : Definition of Driving Voltage V<sub>D</sub>

Assuming that the typical driving waveforms shown below are applied to the LCD Panel at 1/A Duty - 1/B Bias ( A : Duty Number, B : Bias Number ). Driving voltage V<sub>D</sub> is defined as follows.

$$V_D = (V_{th1} + V_{th2}) / 2$$

V<sub>th1</sub> : The voltage V<sub>O-P</sub> that should provide 50% of the saturation level in the luminance at the segment which the ON signal is applied to.

V<sub>th2</sub> : The voltage V<sub>O-P</sub> that should provide 50% of the saturation level in the luminance at the segment which the OFF signal is applied to.

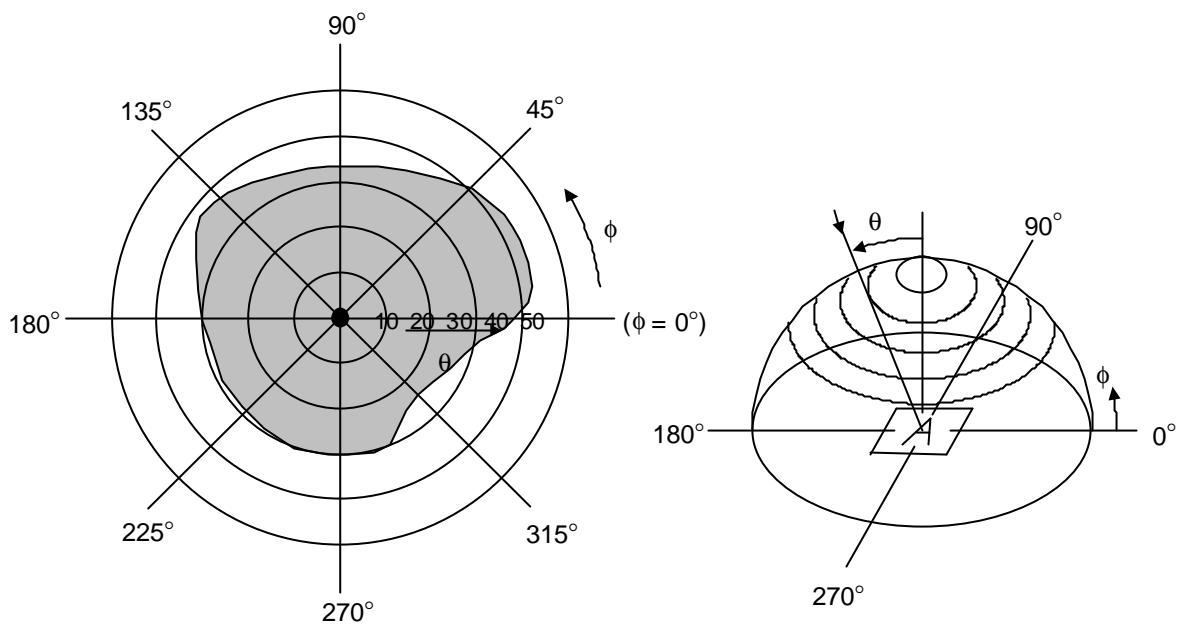





### 3.3. Definition of Viewing Angle and Optimum Viewing Area

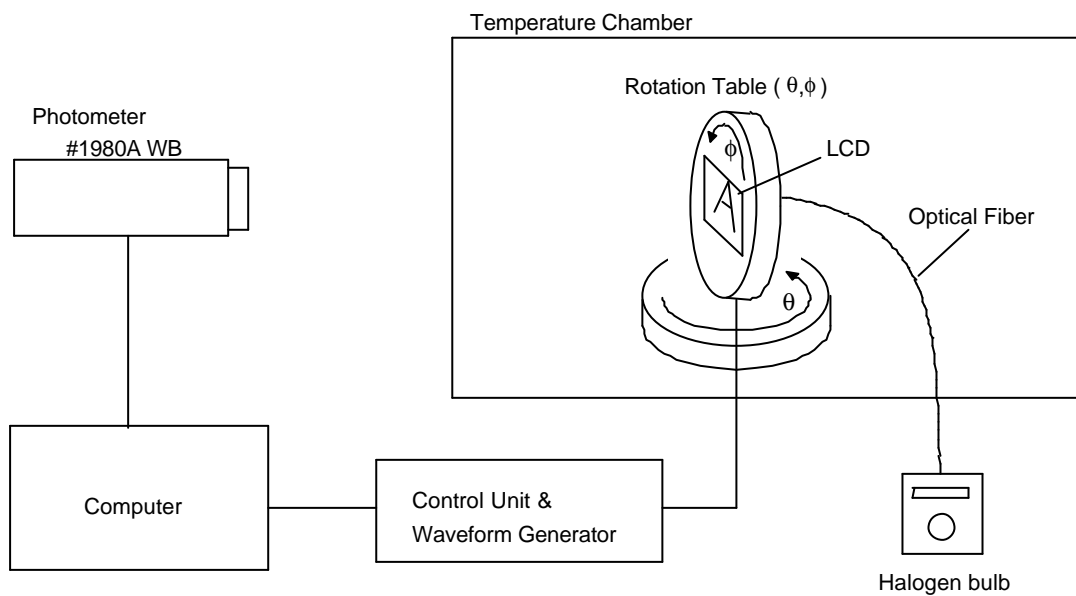
\*Point ● shows the point where contrast ratio is measured. :  $\theta = 0^\circ$ ,  $\phi = -^\circ$

\*Driving condition : 1/64 Duty, 1/9 Bias,  $V_D = 13.1V$ ,  $f_F = 70Hz$



\*Area  shows typ.  $CR \geq 2$

### 3.4. System Block Diagram



## 4.I/O Terminal

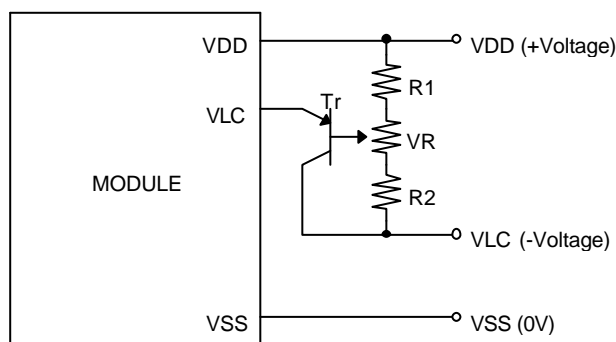
### 4.1.Pin Assignment

#### CN1

| No. | Symbol                  | Level | Function                            |
|-----|-------------------------|-------|-------------------------------------|
| 1   | V <sub>DD</sub>         | -     | Power Supply for Logic              |
| 2   | V <sub>SS</sub>         | -     | Power Supply (0V, GND)              |
| 3   | V <sub>LC</sub>         | -     | Power Supply for LCD Drive          |
| 4   | DB0                     | H / L | Data Bus Line                       |
| 5   | DB1                     | H / L | Data Bus Line                       |
| 6   | DB2                     | H / L | Data Bus Line                       |
| 7   | DB3                     | H / L | Data Bus Line                       |
| 8   | DB4                     | H / L | Data Bus Line                       |
| 9   | DB5                     | H / L | Data Bus Line                       |
| 10  | DB6                     | H / L | Data Bus Line                       |
| 11  | DB7                     | H / L | Data Bus Line                       |
| 12  | $\overline{\text{CS1}}$ | H / L | Chip Select Signal                  |
| 13  | $\overline{\text{RST}}$ | H / L | Reset Signal L : Reset              |
| 14  | R/W                     | H / L | Write Signal L : Active             |
| 15  | D/I                     | H / L | Data / Instruction Signal           |
| 16  | E                       | H,H→L | Enable Signal (No pull-up Resister) |
| 17  | F GND                   | -     | Frame Ground                        |
| 18  | NC                      | -     | Non-connection                      |
| 1   | LED A                   | -     | LED Anode Terminal                  |
| 2   | LED K                   | -     | LED Cathode Terminal                |

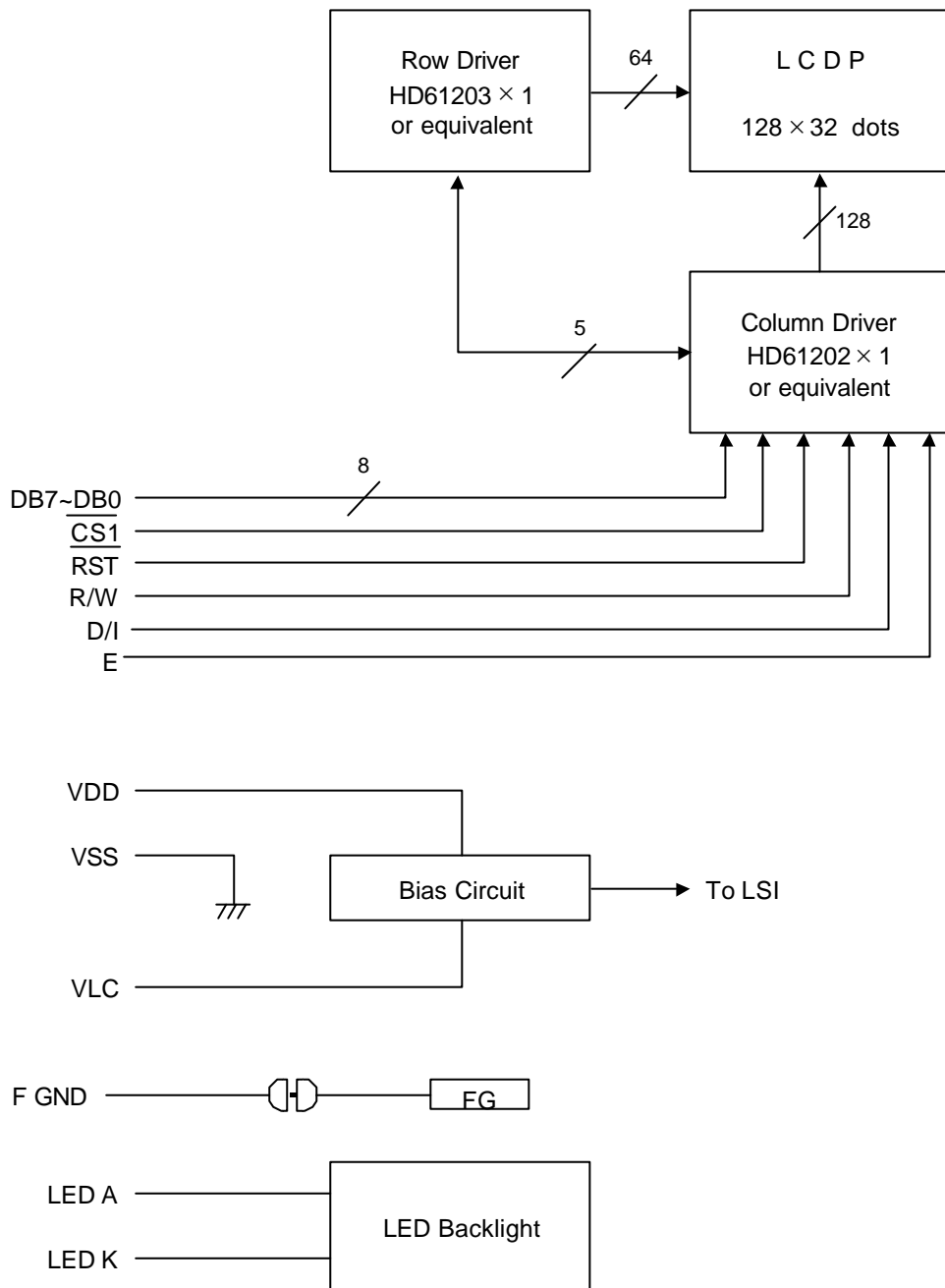
### 4.2.Example of Power Supply

It is recommended to apply a potentiometer for the contrast adjust due to the tolerance of the driving voltage and its temperature dependence.



$R1+R2+VR=10\sim 20K\Omega$   
 $Tr=2SA1202$  or equivalent

### 4.3. Block Diagram



## 5. Test

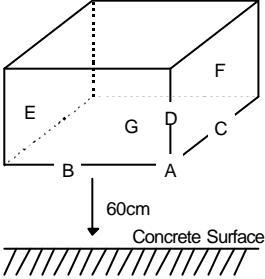
No change on display and in operation under the following test condition.

Conditions: Unless otherwise specified, tests will be conducted under the following condition.

Temperature:  $20 \pm 5^\circ\text{C}$

Humidity :  $65 \pm 5\% \text{RH}$

tests will be not conducted under functioning state.

| No. | Parameter                  | Conditions  | Notes |
|-----|----------------------------|---|-------|
| 1   | High Temperature Operating | $70^\circ\text{C} \pm 2^\circ\text{C}$ , 96hrs (operation state)  |       |
| 2   | Low Temperature Operating  | $-20^\circ\text{C} \pm 2^\circ\text{C}$ , 96hrs (operation state)   | 1     |
| 3   | High Temperature Storage   | $70^\circ\text{C} \pm 2^\circ\text{C}$ , 96hrs  | 2     |
| 4   | Low Temperature Storage    | $-20^\circ\text{C} \pm 2^\circ\text{C}$ , 96hrs   | 1,2   |
| 5   | Damp Proof Test            | $40^\circ\text{C} \pm 2^\circ\text{C}$ , 90~95%RH, 96hrs  | 1,2   |
| 6   | Vibration Test             | Total fixed amplitude : 1.5mm<br>Vibration Frequency : 10~55Hz<br>One cycle 60 seconds to 3 directions of X, Y, Z for each 15 minutes   | 3     |
| 7   | Shock Test                 | To be measured after dropping from 60cm high on the concrete surface in packing state.<br><br>Dropping method corner dropping<br>A corner : once<br>Edge dropping<br>B,C,D edge : once<br>Face dropping<br>E,F,G face : once |       |

Note 1 :No dew condensation to be observed.

Note 2 :The function test shall be conducted after 4 hours storage at the normal Temperature and humidity after removed from the test chamber.

Note 3 :Vibration test will be conducted to the product itself without putting it in a container.

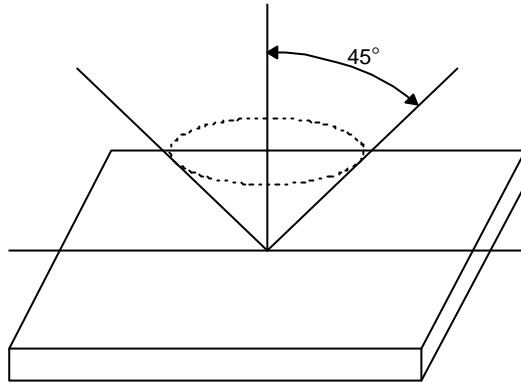
## 6.Appearance Standards

### 6.1.Inspection conditions

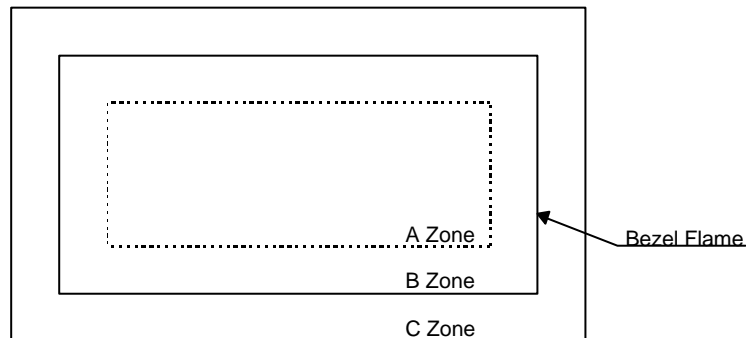
The LCD shall be inspected under 40W white fluorescent light.

The distance between the eyes and the sample shall be more than 30cm.

All directions for inspecting the sample should be within 45°against perpendicular line.



### 6.2.Definition of applicable Zones



A Zone : Active display area

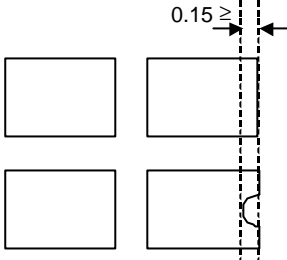
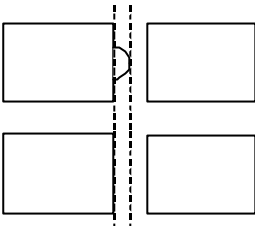
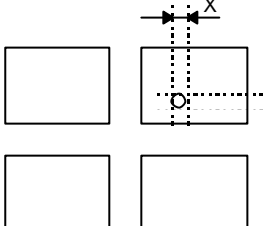
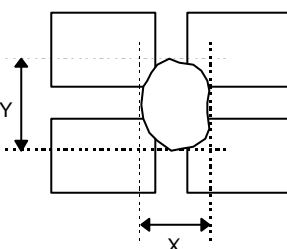
B Zone : Area from outside of "A Zone" to validity viewing area

C Zone : Rest parts

A Zone + B Zone = Validity viewing area

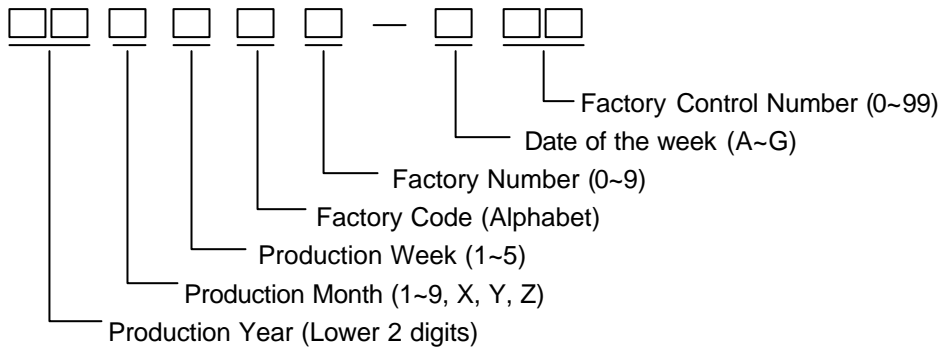
6.3. Standards

| No.                 | Parameter                                 | Criteria  |      |                   |  |  |                |   |   |   |              |   |   |   |                    |   |   |   |                     |   |   |   |                     |   |   |   |           |   |   |   |      |  |                   |  |  |        |        |   |   |   |   |               |   |   |   |              |               |   |   |   |              |              |   |   |   |   |           |                     |  |  |
|---------------------|---|---|------|-------------------|--|--|----------------|---|---|---|--------------|---|---|---|--------------------|---|---|---|---------------------|---|---|---|---------------------|---|---|---|-----------|---|---|---|------|--|-------------------|--|--|--------|--------|---|---|---|---|---------------|---|---|---|--------------|---------------|---|---|---|--------------|--------------|---|---|---|---|-----------|---------------------|--|--|
| 1                   | Black and White Spots, Foreign Substances | <p>(1) Round Shape</p> <table border="1" data-bbox="603 322 1366 658"> <thead> <tr> <th data-bbox="603 322 906 367">Zone</th> <th colspan="3" data-bbox="906 322 1366 367">Acceptable Number</th> </tr> <tr> <th data-bbox="603 367 906 412">Dimension (mm)</th> <th data-bbox="906 367 1062 412">A</th> <th data-bbox="1062 367 1219 412">B</th> <th data-bbox="1219 367 1366 412">C</th> </tr> </thead> <tbody> <tr> <td data-bbox="603 412 906 456"><math>D \leq 0.1</math></td> <td data-bbox="906 412 1062 456">*</td> <td data-bbox="1062 412 1219 456">*</td> <td data-bbox="1219 412 1366 456">*</td> </tr> <tr> <td data-bbox="603 456 906 501"><math>0.1 &lt; D \leq 0.2</math></td> <td data-bbox="906 456 1062 501">3</td> <td data-bbox="1062 456 1219 501">5</td> <td data-bbox="1219 456 1366 501">*</td> </tr> <tr> <td data-bbox="603 501 906 546"><math>0.2 &lt; D \leq 0.25</math></td> <td data-bbox="906 501 1062 546">2</td> <td data-bbox="1062 501 1219 546">3</td> <td data-bbox="1219 501 1366 546">*</td> </tr> <tr> <td data-bbox="603 546 906 591"><math>0.25 &lt; D \leq 0.3</math></td> <td data-bbox="906 546 1062 591">0</td> <td data-bbox="1062 546 1219 591">1</td> <td data-bbox="1219 546 1366 591">*</td> </tr> <tr> <td data-bbox="603 591 906 658"><math>0.3 &lt; D</math></td> <td data-bbox="906 591 1062 658">0</td> <td data-bbox="1062 591 1219 658">0</td> <td data-bbox="1219 591 1366 658">*</td> </tr> </tbody> </table> <p data-bbox="603 674 1075 707"><math>D = ( \text{Long} + \text{Short} ) / 2</math> * : Disregard</p> <p>(2) Line Shape</p> <table border="1" data-bbox="603 752 1366 1043"> <thead> <tr> <th colspan="2" data-bbox="603 752 906 797">Zone</th> <th colspan="3" data-bbox="906 752 1366 797">Acceptable Number</th> </tr> <tr> <th data-bbox="603 797 759 842">X (mm)</th> <th data-bbox="759 797 906 842">Y (mm)</th> <th data-bbox="906 797 1062 842">A</th> <th data-bbox="1062 797 1219 842">B</th> <th data-bbox="1219 797 1366 842">C</th> </tr> </thead> <tbody> <tr> <td data-bbox="603 842 759 887">-</td> <td data-bbox="759 842 906 887"><math>0.03 \geq W</math></td> <td data-bbox="906 842 1062 887">*</td> <td data-bbox="1062 842 1219 887">*</td> <td data-bbox="1219 842 1366 887">*</td> </tr> <tr> <td data-bbox="603 887 759 931"><math>2.0 \geq L</math></td> <td data-bbox="759 887 906 931"><math>0.05 \geq W</math></td> <td data-bbox="906 887 1062 931">3</td> <td data-bbox="1062 887 1219 931">3</td> <td data-bbox="1219 887 1366 931">*</td> </tr> <tr> <td data-bbox="603 931 759 976"><math>1.0 \geq L</math></td> <td data-bbox="759 931 906 976"><math>0.1 \geq W</math></td> <td data-bbox="906 931 1062 976">3</td> <td data-bbox="1062 931 1219 976">3</td> <td data-bbox="1219 931 1366 976">*</td> </tr> <tr> <td data-bbox="603 976 759 1043">-</td> <td data-bbox="759 976 906 1043"><math>0.1 &lt; W</math></td> <td colspan="3" data-bbox="906 976 1366 1043">In the same way (1)</td> </tr> </tbody> </table> <p data-bbox="603 1059 1046 1093">X : Length Y : Width * : Disregard</p> <p data-bbox="603 1104 963 1137">Total defects shall not exceed 5.</p> | Zone | Acceptable Number |  |  | Dimension (mm) | A | B | C | $D \leq 0.1$ | * | * | * | $0.1 < D \leq 0.2$ | 3 | 5 | * | $0.2 < D \leq 0.25$ | 2 | 3 | * | $0.25 < D \leq 0.3$ | 0 | 1 | * | $0.3 < D$ | 0 | 0 | * | Zone |  | Acceptable Number |  |  | X (mm) | Y (mm) | A | B | C | - | $0.03 \geq W$ | * | * | * | $2.0 \geq L$ | $0.05 \geq W$ | 3 | 3 | * | $1.0 \geq L$ | $0.1 \geq W$ | 3 | 3 | * | - | $0.1 < W$ | In the same way (1) |  |  |
| Zone                | Acceptable Number                         |   |      |                   |  |  |                |   |   |   |              |   |   |   |                    |   |   |   |                     |   |   |   |                     |   |   |   |           |   |   |   |      |  |                   |  |  |        |        |   |   |   |   |               |   |   |   |              |               |   |   |   |              |              |   |   |   |   |           |                     |  |  |
| Dimension (mm)      | A   | B   | C    |                   |  |  |                |   |   |   |              |   |   |   |                    |   |   |   |                     |   |   |   |                     |   |   |   |           |   |   |   |      |  |                   |  |  |        |        |   |   |   |   |               |   |   |   |              |               |   |   |   |              |              |   |   |   |   |           |                     |  |  |
| $D \leq 0.1$        | *   | *   | *    |                   |  |  |                |   |   |   |              |   |   |   |                    |   |   |   |                     |   |   |   |                     |   |   |   |           |   |   |   |      |  |                   |  |  |        |        |   |   |   |   |               |   |   |   |              |               |   |   |   |              |              |   |   |   |   |           |                     |  |  |
| $0.1 < D \leq 0.2$  | 3   | 5   | *    |                   |  |  |                |   |   |   |              |   |   |   |                    |   |   |   |                     |   |   |   |                     |   |   |   |           |   |   |   |      |  |                   |  |  |        |        |   |   |   |   |               |   |   |   |              |               |   |   |   |              |              |   |   |   |   |           |                     |  |  |
| $0.2 < D \leq 0.25$ | 2   | 3   | *    |                   |  |  |                |   |   |   |              |   |   |   |                    |   |   |   |                     |   |   |   |                     |   |   |   |           |   |   |   |      |  |                   |  |  |        |        |   |   |   |   |               |   |   |   |              |               |   |   |   |              |              |   |   |   |   |           |                     |  |  |
| $0.25 < D \leq 0.3$ | 0   | 1   | *    |                   |  |  |                |   |   |   |              |   |   |   |                    |   |   |   |                     |   |   |   |                     |   |   |   |           |   |   |   |      |  |                   |  |  |        |        |   |   |   |   |               |   |   |   |              |               |   |   |   |              |              |   |   |   |   |           |                     |  |  |
| $0.3 < D$           | 0   | 0   | *    |                   |  |  |                |   |   |   |              |   |   |   |                    |   |   |   |                     |   |   |   |                     |   |   |   |           |   |   |   |      |  |                   |  |  |        |        |   |   |   |   |               |   |   |   |              |               |   |   |   |              |              |   |   |   |   |           |                     |  |  |
| Zone                |   | Acceptable Number   |      |                   |  |  |                |   |   |   |              |   |   |   |                    |   |   |   |                     |   |   |   |                     |   |   |   |           |   |   |   |      |  |                   |  |  |        |        |   |   |   |   |               |   |   |   |              |               |   |   |   |              |              |   |   |   |   |           |                     |  |  |
| X (mm)              | Y (mm)                                    | A   | B    | C                 |  |  |                |   |   |   |              |   |   |   |                    |   |   |   |                     |   |   |   |                     |   |   |   |           |   |   |   |      |  |                   |  |  |        |        |   |   |   |   |               |   |   |   |              |               |   |   |   |              |              |   |   |   |   |           |                     |  |  |
| -                   | $0.03 \geq W$                             | *   | *    | *                 |  |  |                |   |   |   |              |   |   |   |                    |   |   |   |                     |   |   |   |                     |   |   |   |           |   |   |   |      |  |                   |  |  |        |        |   |   |   |   |               |   |   |   |              |               |   |   |   |              |              |   |   |   |   |           |                     |  |  |
| $2.0 \geq L$        | $0.05 \geq W$                             | 3   | 3    | *                 |  |  |                |   |   |   |              |   |   |   |                    |   |   |   |                     |   |   |   |                     |   |   |   |           |   |   |   |      |  |                   |  |  |        |        |   |   |   |   |               |   |   |   |              |               |   |   |   |              |              |   |   |   |   |           |                     |  |  |
| $1.0 \geq L$        | $0.1 \geq W$                              | 3   | 3    | *                 |  |  |                |   |   |   |              |   |   |   |                    |   |   |   |                     |   |   |   |                     |   |   |   |           |   |   |   |      |  |                   |  |  |        |        |   |   |   |   |               |   |   |   |              |               |   |   |   |              |              |   |   |   |   |           |                     |  |  |
| -                   | $0.1 < W$                                 | In the same way (1)   |      |                   |  |  |                |   |   |   |              |   |   |   |                    |   |   |   |                     |   |   |   |                     |   |   |   |           |   |   |   |      |  |                   |  |  |        |        |   |   |   |   |               |   |   |   |              |               |   |   |   |              |              |   |   |   |   |           |                     |  |  |
| 2                   | Air Bubbles (between glass & polarizer)   | <table border="1" data-bbox="603 1182 1366 1473"> <thead> <tr> <th data-bbox="603 1182 906 1227">Zone</th> <th colspan="3" data-bbox="906 1182 1366 1227">Acceptable Number</th> </tr> <tr> <th data-bbox="603 1227 906 1272">Dimension (mm)</th> <th data-bbox="906 1227 1062 1272">A</th> <th data-bbox="1062 1227 1219 1272">B</th> <th data-bbox="1219 1227 1366 1272">C</th> </tr> </thead> <tbody> <tr> <td data-bbox="603 1272 906 1317"><math>D \leq 0.3</math></td> <td data-bbox="906 1272 1062 1317">*</td> <td data-bbox="1062 1272 1219 1317">*</td> <td data-bbox="1219 1272 1366 1317">*</td> </tr> <tr> <td data-bbox="603 1317 906 1361"><math>0.3 &lt; D \leq 0.4</math></td> <td data-bbox="906 1317 1062 1361">3</td> <td data-bbox="1062 1317 1219 1361">*</td> <td data-bbox="1219 1317 1366 1361">*</td> </tr> <tr> <td data-bbox="603 1361 906 1406"><math>0.4 &lt; D \leq 0.6</math></td> <td data-bbox="906 1361 1062 1406">2</td> <td data-bbox="1062 1361 1219 1406">3</td> <td data-bbox="1219 1361 1366 1406">*</td> </tr> <tr> <td data-bbox="603 1406 906 1473"><math>0.6 &lt; D</math></td> <td data-bbox="906 1406 1062 1473">0</td> <td data-bbox="1062 1406 1219 1473">0</td> <td data-bbox="1219 1406 1366 1473">*</td> </tr> </tbody> </table> <p data-bbox="603 1489 772 1523">* : Disregard</p> <p data-bbox="603 1534 963 1568">Total defects shall not exceed 3.</p>  | Zone | Acceptable Number |  |  | Dimension (mm) | A | B | C | $D \leq 0.3$ | * | * | * | $0.3 < D \leq 0.4$ | 3 | * | * | $0.4 < D \leq 0.6$  | 2 | 3 | * | $0.6 < D$           | 0 | 0 | * |           |   |   |   |      |  |                   |  |  |        |        |   |   |   |   |               |   |   |   |              |               |   |   |   |              |              |   |   |   |   |           |                     |  |  |
| Zone                | Acceptable Number                         |   |      |                   |  |  |                |   |   |   |              |   |   |   |                    |   |   |   |                     |   |   |   |                     |   |   |   |           |   |   |   |      |  |                   |  |  |        |        |   |   |   |   |               |   |   |   |              |               |   |   |   |              |              |   |   |   |   |           |                     |  |  |
| Dimension (mm)      | A   | B   | C    |                   |  |  |                |   |   |   |              |   |   |   |                    |   |   |   |                     |   |   |   |                     |   |   |   |           |   |   |   |      |  |                   |  |  |        |        |   |   |   |   |               |   |   |   |              |               |   |   |   |              |              |   |   |   |   |           |                     |  |  |
| $D \leq 0.3$        | *   | *   | *    |                   |  |  |                |   |   |   |              |   |   |   |                    |   |   |   |                     |   |   |   |                     |   |   |   |           |   |   |   |      |  |                   |  |  |        |        |   |   |   |   |               |   |   |   |              |               |   |   |   |              |              |   |   |   |   |           |                     |  |  |
| $0.3 < D \leq 0.4$  | 3   | *   | *    |                   |  |  |                |   |   |   |              |   |   |   |                    |   |   |   |                     |   |   |   |                     |   |   |   |           |   |   |   |      |  |                   |  |  |        |        |   |   |   |   |               |   |   |   |              |               |   |   |   |              |              |   |   |   |   |           |                     |  |  |
| $0.4 < D \leq 0.6$  | 2   | 3   | *    |                   |  |  |                |   |   |   |              |   |   |   |                    |   |   |   |                     |   |   |   |                     |   |   |   |           |   |   |   |      |  |                   |  |  |        |        |   |   |   |   |               |   |   |   |              |               |   |   |   |              |              |   |   |   |   |           |                     |  |  |
| $0.6 < D$           | 0   | 0   | *    |                   |  |  |                |   |   |   |              |   |   |   |                    |   |   |   |                     |   |   |   |                     |   |   |   |           |   |   |   |      |  |                   |  |  |        |        |   |   |   |   |               |   |   |   |              |               |   |   |   |              |              |   |   |   |   |           |                     |  |  |

| No. | Parameter  | Criteria   |
|-----|--|--|
| 3   | The Shape of Dot                                     | <p>(1) Dot Shape (with Dent)</p>  <p>As per the sketch of left hand.</p> <p>(2) Dot Shape (with Projection)</p>  <p>Should not be connected to next dot.</p> <p>(3) Pin Hole</p>  <p><math>(X+Y) / 2 \leq 0.2\text{mm}</math><br/>(Less than 0.1mm is no counted.)</p> <p>(4) Deformation</p>  <p><math>(X+Y) / 2 \leq 0.2\text{mm}</math></p> <p>Total acceptable number : 1/dot, 5/cell<br/>(Defect number of (4) : 1pc.)</p> |
| 4   | Polarizer Scratches                                  | Not to be conspicuous defects.   |
| 5   | Polarizer Dirts                                      | If the stains are removed easily from LCDP surface, the module is not defective.   |
| 6   | Complex Foreign Substance Defects                    | Black spots, line shaped foreign substances or air bubbles between glass & polarizer should be 5pcs maximum in total.  |
| 7   | Distance between Different Foreign Substance Defects | $D \leq 0.2$ : 20mm or more<br>$0.2 < D$ : 40mm or more  |

## 7.Code System of Production Lot

The production lot of module is specified as follows.



## 8.Type Number

The type number of module is specified as follows.

DMF-50426NYJ-SLY-AEE-AFN

## 9.Applying Precautions

Please contact us when questions and/or new problems not specified in this Specifications arise.



## 10.Precautions Relating Product Handling

The Following precautions will guide you in handling our product correctly.

- 1) Liquid crystal display devices
  1. The liquid crystal display device panel used in the liquid crystal display module is made of plate glass. Avoid any strong mechanical shock. Should the glass break handle it with care.
  2. The polarizer adhering to the surface of the LCD is made of a soft material. Guard against scratching it.
- 2) Care of the liquid crystal display module against static electricity discharge.
  1. When working with the module, be sure to ground your body and any electrical equipment you may be using. We strongly recommend the use of anti static mats ( made of rubber ), to protect work tables against the hazards of electrical shock.
  2. Avoid the use of work clothing made of synthetic fibers. We recommend cotton clothing or other conductivity-treated fibers.
  3. Slowly and carefully remove the protective film from the LCD module, since this operation can generate static electricity.
- 3) When the LCD module alone must be stored for long periods of time:
  1. Protect the modules from high temperature and humidity.
  2. Keep the modules out of direct sunlight or direct exposure to ultraviolet rays.
  3. Protect the modules from excessive external forces.
- 4) Use the module with a power supply that is equipped with an overcurrent protector circuit,since the module is not provided with this protective feature.
- 5) Do not ingest the LCD fluid itself should it leak out of a damaged LCD module. Should hands or clothing come in contact with LCD fluid, wash immediately with soap.
- 6) Conductivity is not guaranteed for models that use metal holders where solder connections between the metal holder and the PCB are not used. Please contact us to discuss appropriate ways to assure conductivity.
- 7) For models which use CFL:
  1. High voltage of 1000V or greater is applied to the CFL cable connector area. Care should be taken not to touch connection areas to avoid burns.
  2. Protect CFL cables from rubbing against the unit and thus causing the wire jacket to become worn.
  3. The use of CFLs for extended periods of time at low temperatures will significantly shorten their service life.
- 8) For models which use touch panels:
  1. Do not stack up modules since they can be damaged by components on neighboring modules.
  2. Do not place heavy objects on top of the product. This could cause glass breakage.
- 9) For models which use COG,TAB,or COF:
  1. The mechanical strength of the product is low since the IC chip faces out unprotected from the rear. Be sure to protect the rear of the IC chip from external forces.
  2. Given the fact that the rear of the IC chip is left exposed, in order to protect the unit from electrical damage, avoid installation configurations in which the rear of the IC chip runs the risk of making any electrical contact.

10) Models which use flexible cable, heat seal, or TAB:

1. In order to maintain reliability, do not touch or hold by the connector area.
2. Avoid any bending, pulling, or other excessive force, which can result in broken connections.

11) In case of buffer material such as cushion / gasket is assembled into LCD module, it may have an adverse effect on connecting parts ( LCD panel-TCP / HEAT SEAL / FPC / etc., PCB-TCP / HEAT SEAL / FPC etc., TCP-HEAT SEAL, TCP-FPC, HEAT SEAL-FPC, etc.) depending on its materials.

Please check and evaluate these materials carefully before use.

12) In case of acrylic plate is attached to front side of LCD panel, cloudiness ( very small cracks ) can occur on acrylic plate, being influenced by some components generated from polarizer film..

Please check and evaluate those acrylic materials carefully before use.

## 11. Warranty

This product has been manufactured to your company's specifications as a part for use in your company's general electronic products. It is guaranteed to perform according to delivery specifications. For any other use apart from general electronic equipment, we cannot take responsibility if the product is used in medical devices, nuclear power control equipment, aerospace equipment, fire and security systems, or any other applications in which there is a direct risk to human life and where extremely high levels of reliability are required. If the product is to be used in any of the above applications, we will need to enter into a separate product liability agreement.

1. We cannot accept responsibility for any defect, which may arise from additional manufacturing of the product (including disassembly and reassembly), after product delivery.
2. We cannot accept responsibility for any defect, which may arise after the application of strong external force to the product.
3. We cannot accept responsibility for any defect, which may arise due to the application of static electricity after the product has passed your company's acceptance inspection procedures.
4. When the product is in CFL models, CFL service life and brightness will vary According to the performance of the inverter used, leaks, etc. We cannot accept responsibility for product performance, reliability, or defect, which may arise.
5. We cannot accept responsibility for intellectual property of a third party, which may arise through the application of our product to your assembly with exception to those issues relating directly to the structure or method of manufacturing of our product.
6. Optrex will not be held responsible for any quality guarantee issue for defect products judged as Optrex-origin longer than 2 (two) years from Optrex production or 1(one) year from Optrex, Optrex America, Optrex Europe delivery which ever comes later.