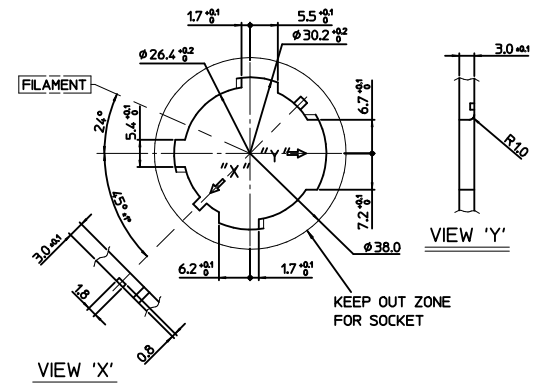
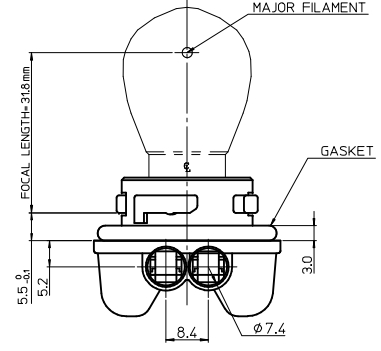
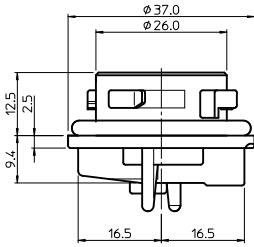
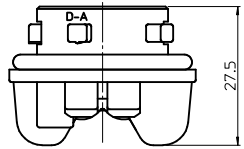
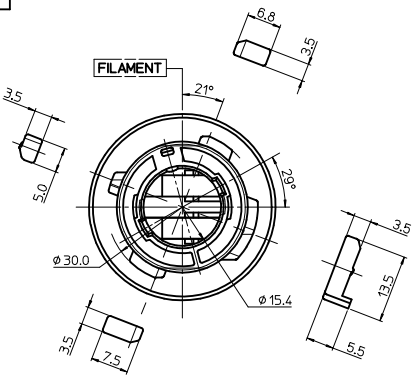
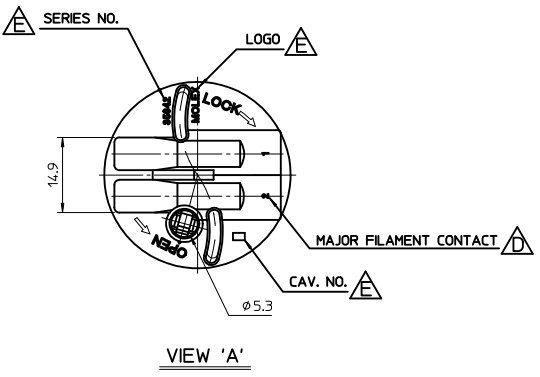


- NOTES
 1. FOCAL LENGTH =31.8mm
 2. PRODUCT SPECIFICATION: PS-35842-001
 3. APPLICABLE BULB CAP: P21/5WBAY15d
 4. MATES WITH

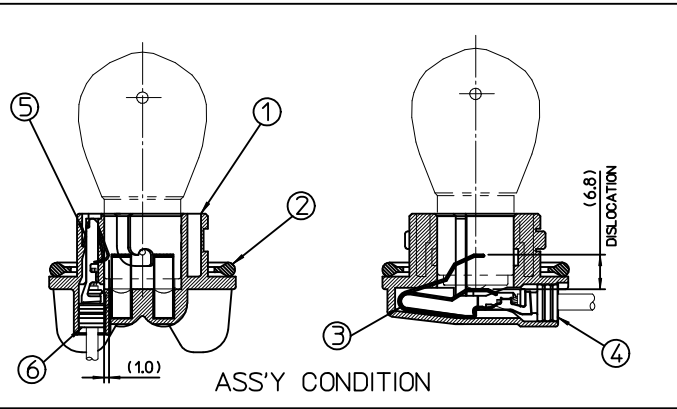
NO.	DESCRIPTION	MATERIAL	ORDER NO.	REMARK
③	POSITIVE TERMINAL	PHOSPHOR BRONZE	35464-8000	UNPLATED
④	POSITIVE WIRE SEAL	SILICONE	35903-0096	BROWN
⑤	EARTH TERMINAL	PHOSPHOR BRONZE	35465-8000	UNPLATED
⑥	EARTH WIRE SEAL	SILICONE	35903-0106	BLUE

<PART LIST>

NO.	DESCRIPTION	MATERIAL	USAGE	REMARK
①	DOUBLE SOCKET	PA66 M/F	1	A TYPE
②	SEAL GASKET	NBR	1	BLACK



MOUNTING INTERFACE (MI-4)



"A"

<TABLE 1>

MATERIAL NO.	ORDER NO.	COLOR
358421301	35842-1301	BLACK
358421305	35842-1305	GRAY
358421306	35842-1306	WHITE
358421307	35842-1307	BROWN

REV	DESCRIPTION	QUALITY SYMBOLS		GENERAL TOLERANCES (UNLESS SPECIFIED)	
		mm	INCH	mm	INCH
REVISD	EC NO: KOR2010-0146	▽=0	±---	±---	±---
	DRW: KEOKIM 2010/04/05	▽=0	±---	±---	±---
	CHKD: WYANG 2010/04/05		±0.15	±---	±---
	APPR: YUNSIKKIM 2010/04/06		±0.25	±---	±---
			ANGULAR ± 2°		
			DRAFT WHERE APPLICABLE MUST REMAIN WITHIN DIMENSIONS		

DIMENSION STYLE		SCALE	DESIGN UNITS	THIRD ANGLE PROJECTION
MM ONLY		1:1	METRIC	⊙ □
DRAWN BY	DATE	TITLE		
YSIKKIM	1999/05/13	SEALED PT BULB SOCKET DOUBLE HOUSING ASS'Y (A-TYPE)		
CHECKED BY	DATE	MOLEX INCORPORATED		
BKCHOI	1999/05/14			
APPROVED BY	DATE	DOCUMENT NO.		
CWLEE	1999/05/14	SD-35842-001		
MATERIAL NO.		SHEET NO.		
SEE TABLE 1		1 OF 1		
THIS DRAWING CONTAINS INFORMATION THAT IS PROPRIETARY TO MOLEX INCORPORATED AND SHOULD NOT BE USED WITHOUT WRITTEN PERMISSION				