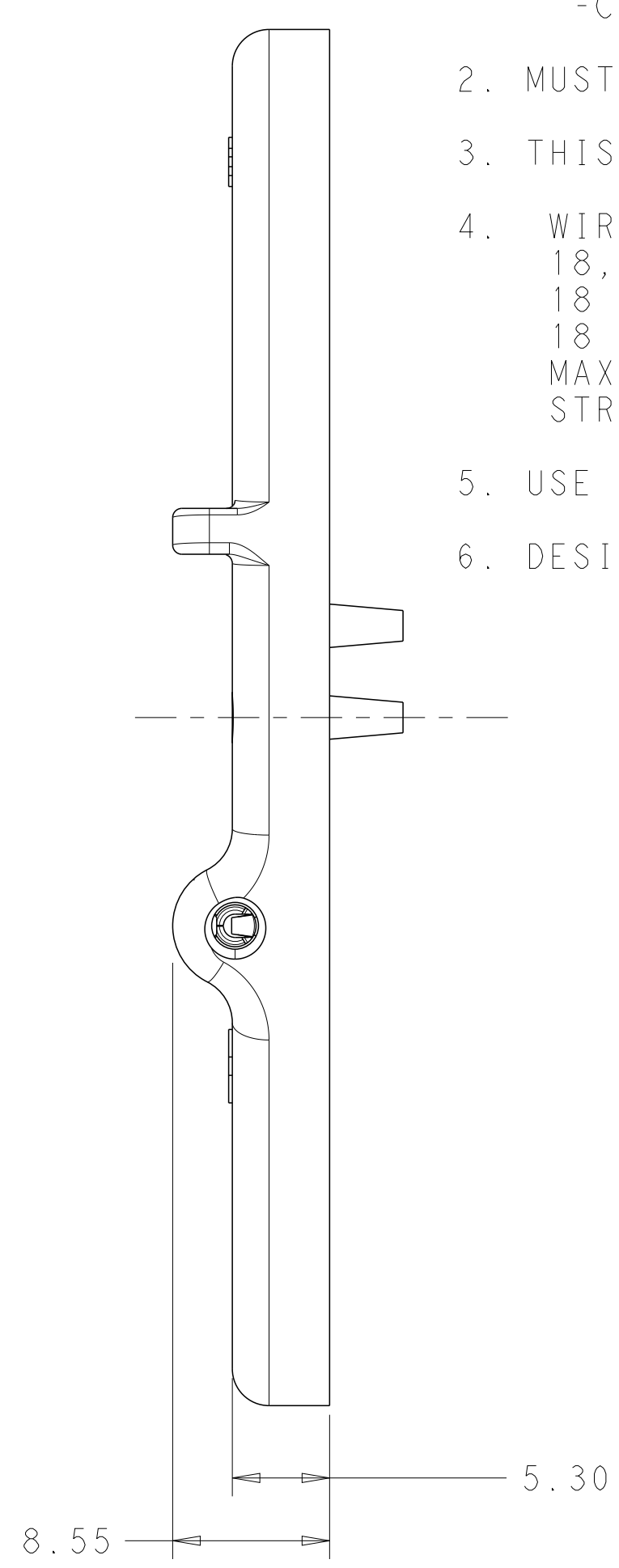
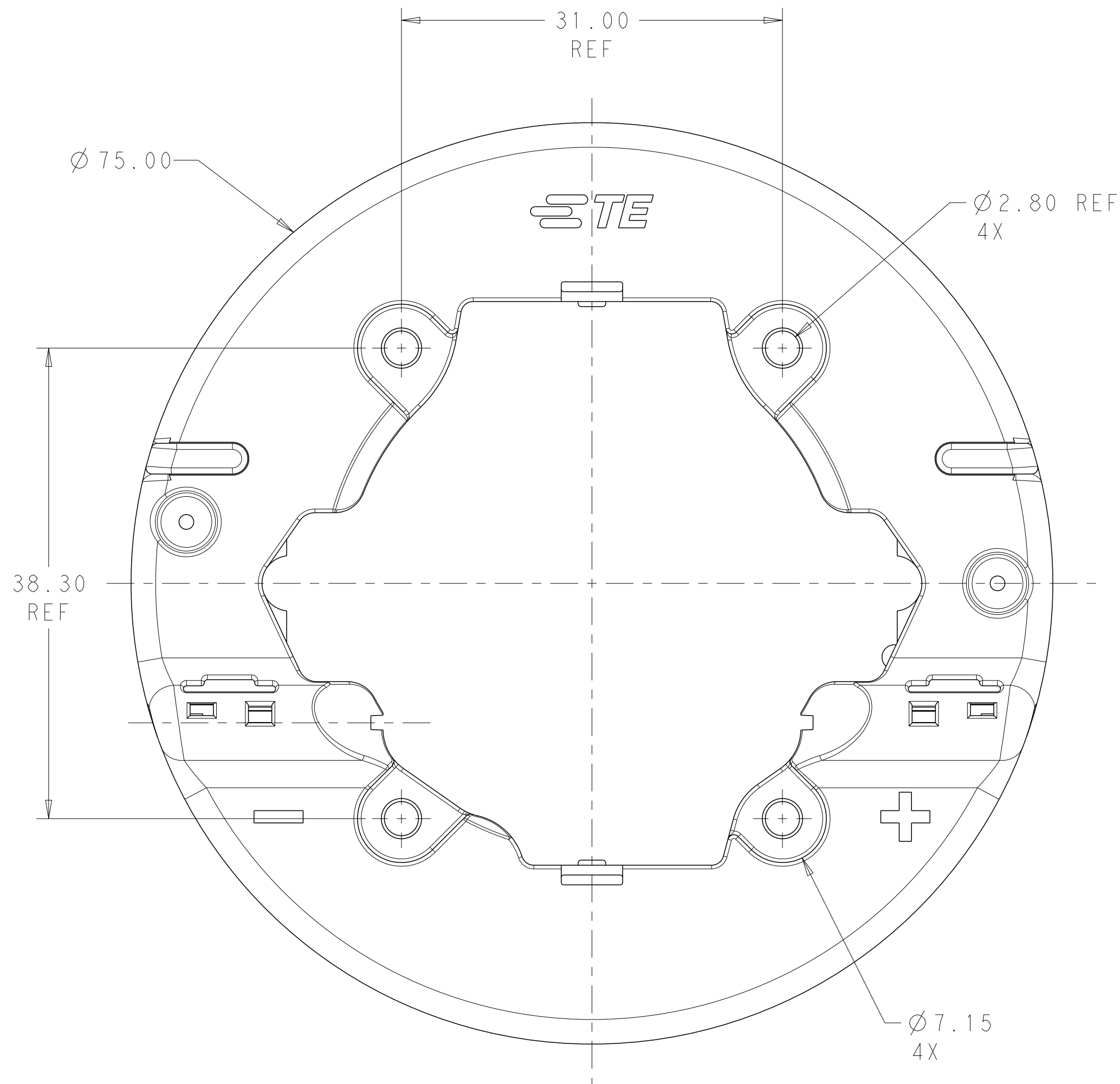


THIS DRAWING IS UNPUBLISHED. RELEASED FOR PUBLICATION 20  
 © COPYRIGHT 20 BY TE CONNECTIVITY ALL RIGHTS RESERVED.

LOC		DIST		REVISIONS			
P	LTR	DESCRIPTION	DATE	DWN	APVD		
-	-	A	REVISED PER ECO-12-020971	05DEC2012	KH	PO	



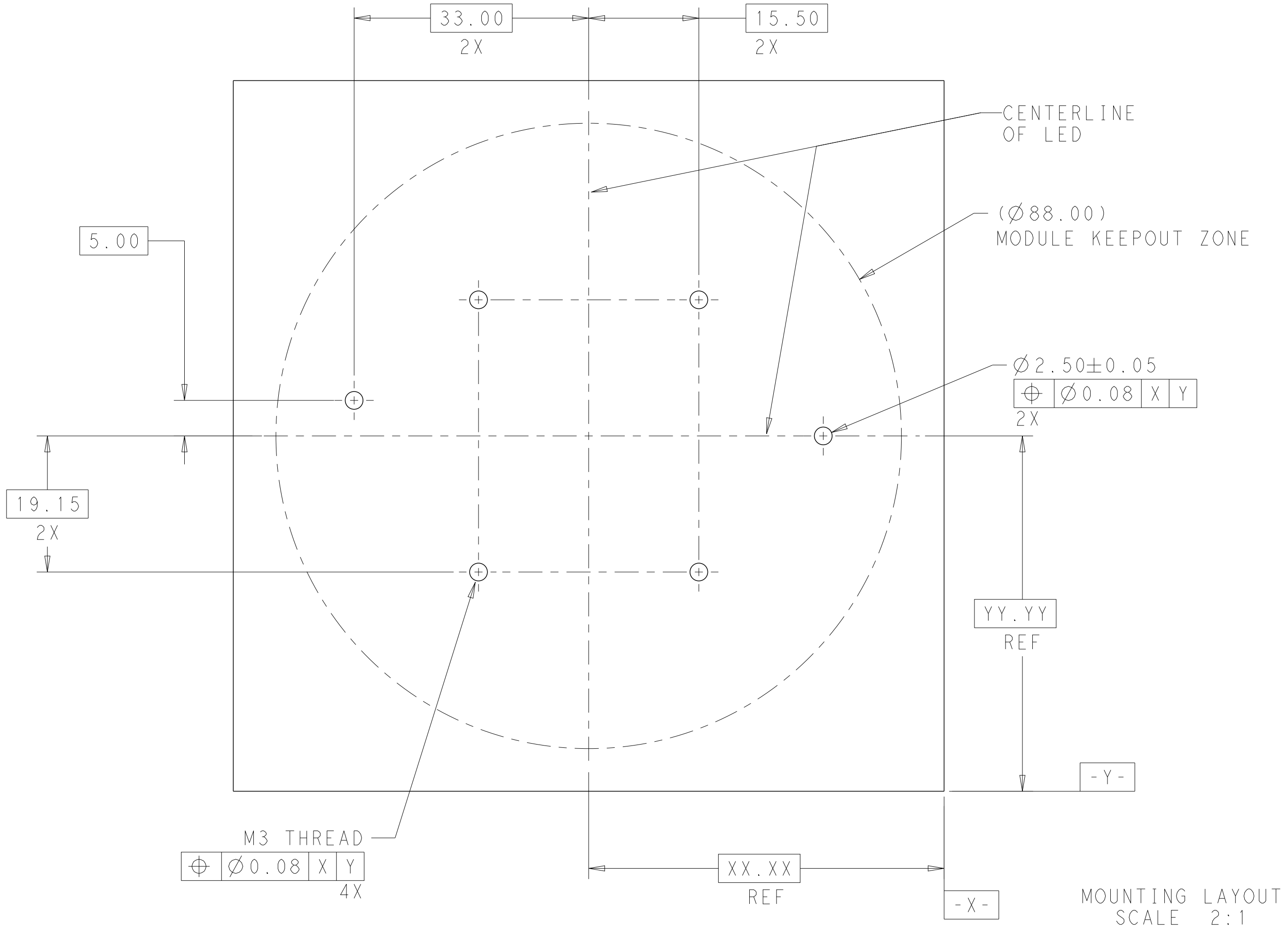
- ⚠ MATERIALS AND FINISH:  
 -HOUSING: GF PBT, COLOR: NATURAL  
 -CONTACTS: COPPER ALLOY, FINISH: Sn OVER Ni
- MUST COMPLY WITH DIRECTIVE 2002/95/EC (ROHS)
  - THIS PRODUCT HAS NOT COMPLETED VALIDATION TESTING
  - WIRE TYPES AND SIZES ACCEPTED  
 18, 20 AND 22 AWG SOLID WIRE  
 18 AND 20 AWG PREBOND STRANDED WIRE  
 18 AWG STRANDED WIRE (16 STRAND COUNT)  
 MAX INSULATION OD: 2.10 MM (.083")  
 STRIP LENGTH:  $7.0 \pm 1.0$  (.276")
  - USE (4) M3 SIZE SCREWS, TORQUE TO 2.5-4.0 IN-LBF
  - DESIGNED TO BE USED WITH BRIDGELUX RS SERIES LED

2154455-1  
 PART NO.

THIS DRAWING IS A CONTROLLED DOCUMENT.		DWN C. DAILY 24 JAN 2011	TE Connectivity		
		CHK CHANEY 24 JAN 2011			
DIMENSIONS: mm		TOLERANCES UNLESS OTHERWISE SPECIFIED: 0 PLC $\pm$ 1 PLC $\pm$ 2 PLC $\pm 0.20$ 3 PLC $\pm$ 4 PLC $\pm$ ANGLES $\pm 3^\circ$ FINISH		NAME SOCKET ASSEMBLY, SOLDERLESS BR LED	
		APVD -		PRODUCT SPEC 108-2466	
MATERIAL 		APPLICATION SPEC 114-13302		SIZE A200779	
		WEIGHT -		DRAWING NO C-2154455	
		Customer Drawing		RESTRICTED TO -	
		SCALE 3:1		SHEET 1 OF 2 REV A	

THIS DRAWING IS UNPUBLISHED. RELEASED FOR PUBLICATION 20  
 © COPYRIGHT 20 BY TE CONNECTIVITY ALL RIGHTS RESERVED.

LOC		DIST		REVISIONS			
P	LTR	DESCRIPTION	DATE	DWN	APVD		
-	-	SEE SHEET 1	-	-	-		



MOUNTING LAYOUT SCALE 2:1

THIS DRAWING IS A CONTROLLED DOCUMENT.		DWN C. DAILY 24 JAN 2011	TE Connectivity		
		CHK CHANEY 24 JAN 2011			
DIMENSIONS: mm 		TOLERANCES UNLESS OTHERWISE SPECIFIED: 0 PLC $\pm$ 1 PLC $\pm$ 2 PLC $\pm 0.20$ 3 PLC $\pm$ 4 PLC $\pm$ ANGLES $\pm 3^\circ$ FINISH		NAME SOCKET ASSEMBLY, SOLDERLESS BR LED	
MATERIAL -		APVD -		PRODUCT SPEC 108-2466 APPLICATION SPEC 114-13302	
		WEIGHT -		SIZE A200779 CAGE CODE C-2154455 DRAWING NO. RESTRICTED TO -	
		Customer Drawing		SCALE 3:1 SHEET 2 OF 2 REV A	