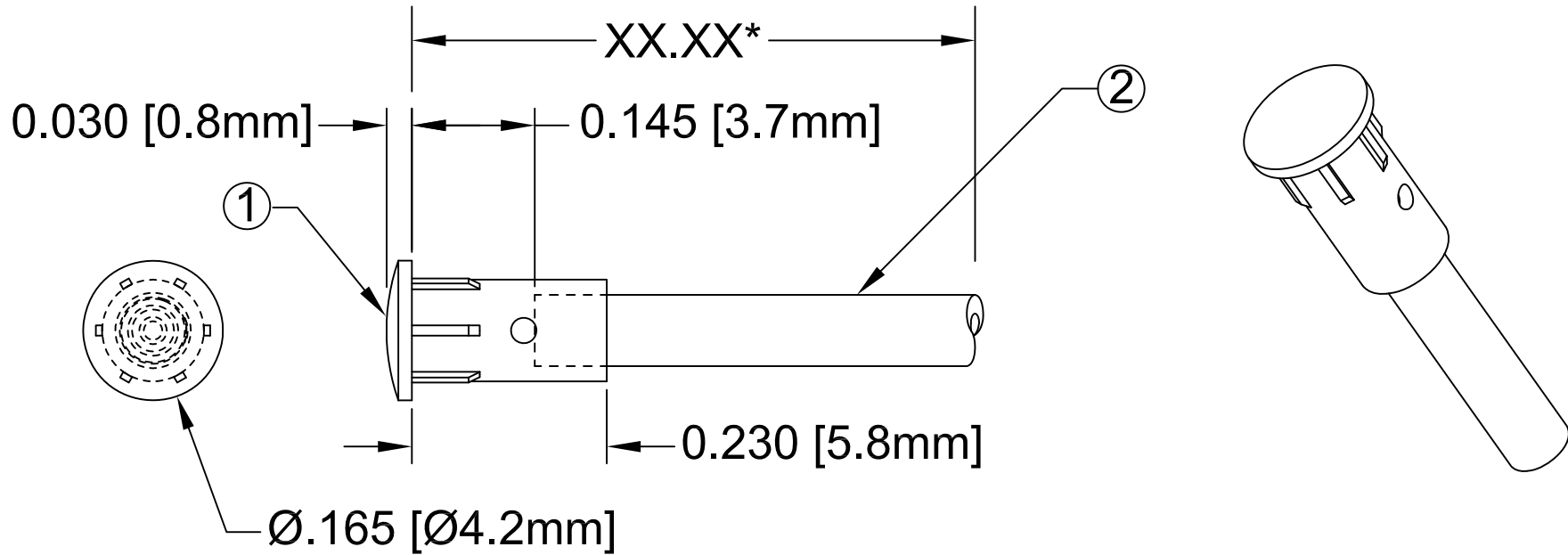


ITEM	Q'TY	PART NUMBER	PART DESCRIPTION
1	1	FLP-LC	HOLDER CAP, FLEXIBLE LIGHT-PIPE
2	1	FLPS1522-XX.X	1.5mm LIGHT PIPE CABLE, CUT LENGTH IN INCHES

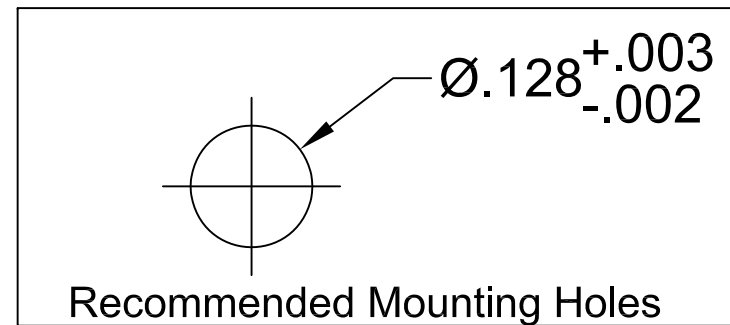
REV.	DESCRIPTION	DATE	APPROVED
A	Engineering Release	04/20/12	T. Y.





*Length "XX.XX"	Tolerance
2.50" ~ 16.00"	±0.050"
16.25" ~ 40.00"	±0.15"
40.25" ~ 80.00"	±0.30"
80.25" ~ 500.0"	±0.5%

EXAMPLE:
PM4-C1522-6.50

Series ————— Fiber Length in 0.25" Increments



STANDARD TOLERANCE (UNLESS OTHERWISE SPECIFIED)		 4 THOMAS, IRVINE, CA. 92618 TEL: (949) 951-8808 FAX: (949) 951-3974	
DECIMALS	ANGULAR		
.X ±.1	X° ± 1°	 TITLE: 4mm Circular Lens Flexible Light Pipe FLPS1522 Indicators	
.XX ±.02			
.XXX ±.010			
DESIGNED: Ty Yin	DATE: 04/20/12	PART NO: PM4-C1522-XX.XX	REVISION: A
CHECKED: B. Oliver	DATE: 04/20/12	CAGE CODE : 32559	SHEET # 1 OF 1
CAD GENERATED DOCUMENT, DO NOT MEASURE DRAWING.			