



# Thomas Research Products

SSL Solutions Faster Than The Speed Of Light™

## TR-SS1 LED Core™ Integrated LED Garage Module Patented Design

- DLC Compliant optics
- Die-cast single piece aluminum body
- UV stabilized polycarbonate lens with injection-molded frame
- Universal voltage (100-277Vac)
- Patented design is robust, for superb durability
- Modular: Key components can be refurbished
- Type V medium

TR-SS1 Integrated LED Garage Module is an engineered solution that can seamlessly integrate into any garage-specific fixture design. It eliminates the time-consuming and costly task of designing and optimizing the optics, light engine and power supplies, and thermal management.

The module includes DLC Compliant optics, so any luminaire utilizing the LED Core will meet DLC requirements. TRP can provide assistance. CAD files are also available for your engineering staff, to speed along the integration process.

### Electrical:

Class 1 and 2 TRP power supplies accommodate an input voltage range of 100-277V 50/60Hz. All power supplies provide Class A EMI rating with high power factor of 90% typical.

### Mounting:

Custom fixture mount only. CAD and Step files available to streamline integration. Fixture cut out pattern show on next page.

### Exterior Surface Finish:

Powder coated die-cast aluminum.

### Testing and Compliance:

The TR-SS1 meets UL8750 specifications. Contact our engineering staff for assistance in certifying your fixture.

### Lumen Maintenance:

Lumen maintenance will vary substantially based upon fixture in which the TR-SS1 is mounted. Additional heat dissipating capacity from fixture is highly recommended to maximize lumen maintenance. Lumen maintenance to be determined by using LM80, in situ thermal data in accordance with DOE/EPA standards and reliability data supplied by LED Manufacturer.

- Maintains a tolerance of  $\pm 7\%$  on flux measurements.
- Published output measurements using 4500K.
- Typical CRI for Neutral White (4500K - 5000K) is 75.
- Output lumens will vary depending on factors involved with fixture integration.
- 5 year limited warranty with validation of fixture.

### Environmental Impact

- RoHS Compliant
- No mercury
- Reduction in Kw load by as much as 60%



SS1 "e" Series LED Garage Module					
Model Number	System Power	Initial Delivered Lumens	Lumens Per Watt	Replaces HID lamp*	Energy Savings†
TR-SS1-e36G	42W	4072	97*	100W HPS	88W
TR-SS1-e48G	56W	5429	97*	150W MH	144W
TR-SS1-e64G	75W	7202	96*	175W MH	135W

SS1 Series LED Garage Module					
Model Number	System Power	Initial Delivered Lumens	Lumens Per Watt	Replaces HID lamp*	Energy Savings†
TR-SS1-36G	40W	3239	81	100W HPS	90W
TR-SS1-48G	55W	4370	80	150W MH	145W
TR-SS1-64G	71W	5689	80	150W MH	129W

\* Based on Mean Lumens

† Compares LED Core™ system wattage to avg. HID ballast input wattage



Specifications subject to change without notice.

10-25-12



# Thomas Research Products

SSL Solutions Faster Than The Speed Of Light™

TR-SS1-G

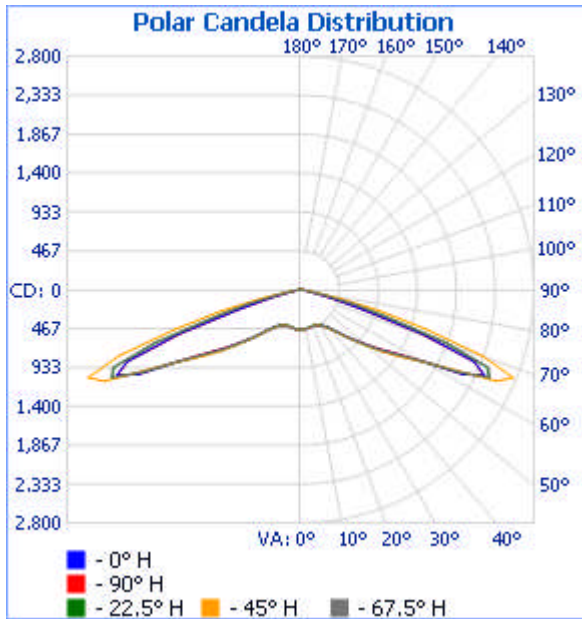
Pg 2 of 2

## Photometrics

### TR-SS1 Garage Module Type V Medium:

Tested to IESNA LM-79 standard by an independent testing laboratory.

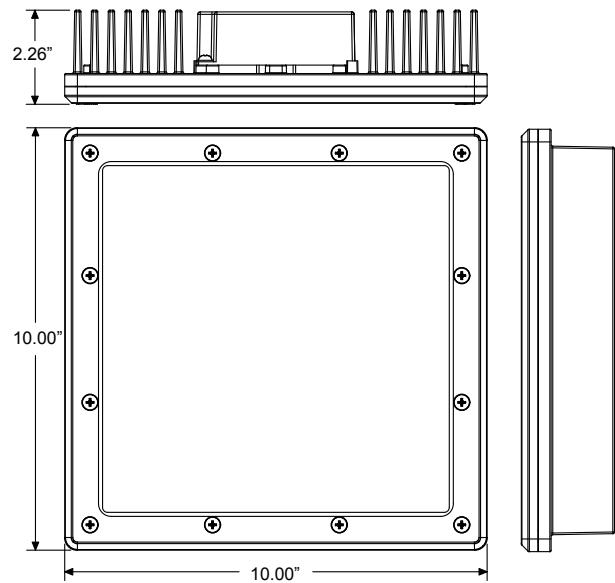
TR-SS1-64G Photometric Data



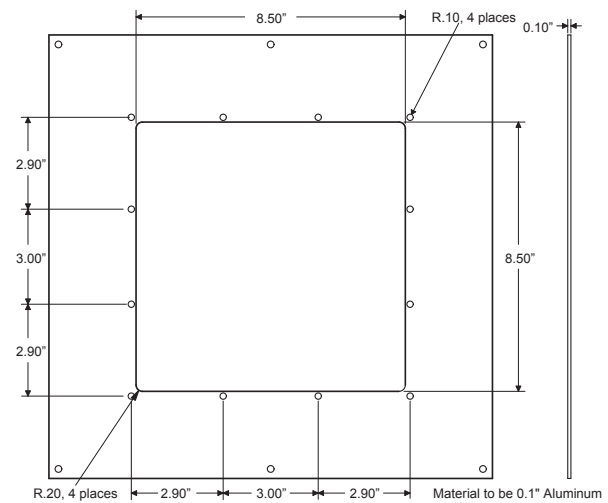
Mounting Example:  
Garage Luminaire



## Dimensions



## Mounting



## Application Notes:

- 1) The LED Core™ is intended to be mounted to a flange of the fixture, situated between the LED Core™ module's lens frame/lens/gasket and aluminum body in order to qualify for IP rating. (See detail.)
- 2) The LED Core™ module can be mounted to the fixture flange on the backside of the module's body. This is not recommended as it will not achieve an IP rating.

