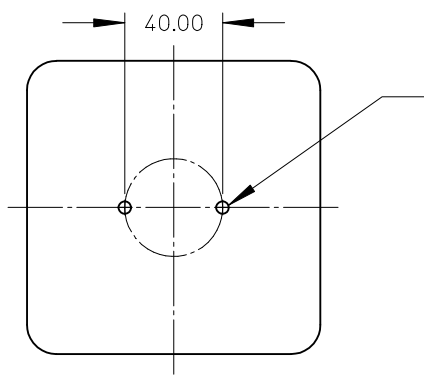
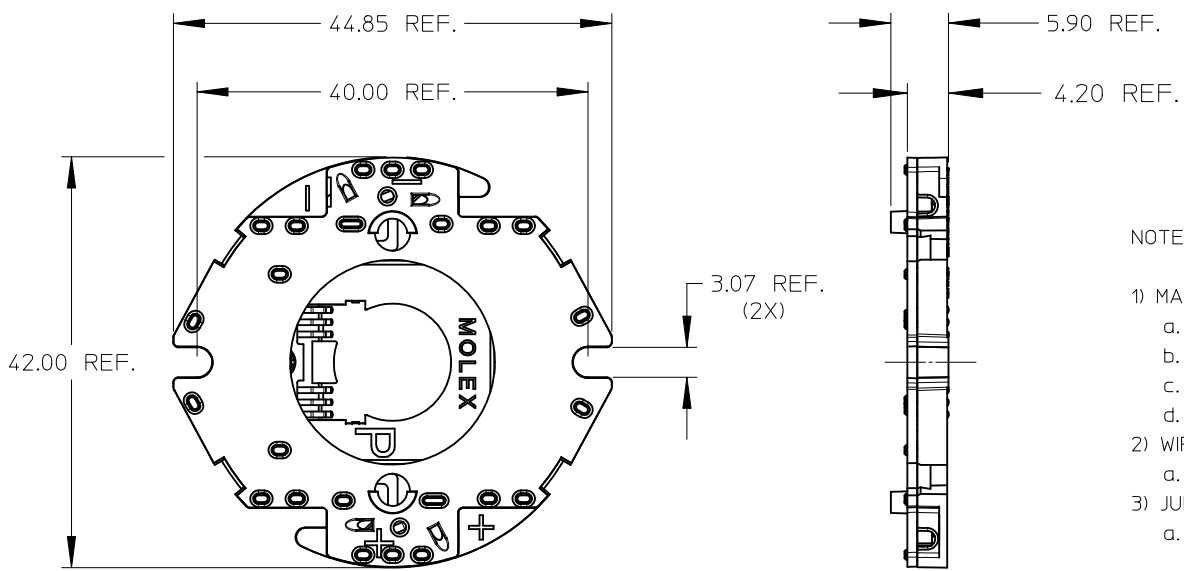
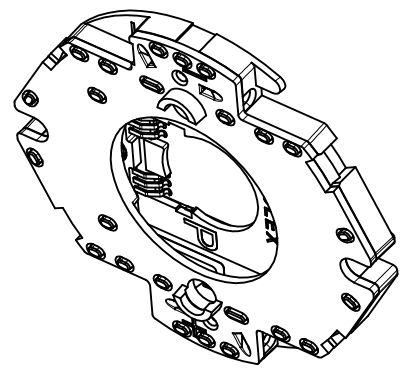


PART NUMBER	DESCRIPTION	SHEET
180160-000	HOLDER WITHOUT LENS - WIRED IN PARALLEL	2
180160-0001	HOLDER WITH SNAP-ON LENS - WIRED IN PARALLEL	2
180160-0002	HOLDER WITHOUT LENS - WIRED IN SERIES	3
180160-0003	HOLDER WITH SNAP-ON LENS - WIRED IN SERIES	3
N/A	REFLECTOR OPTION	4



M3 TAPPED HOLES (2)
TORQUE SCREWS 0.8 NEWTON METERS MAX.

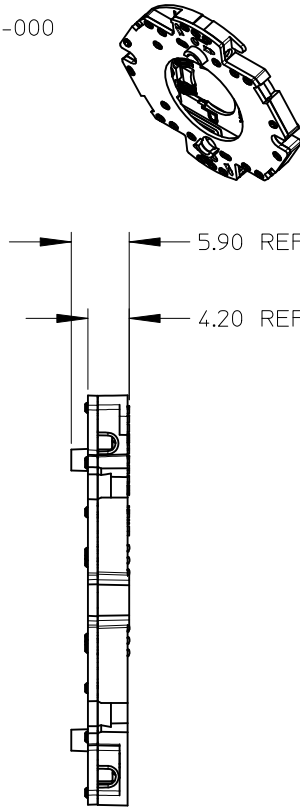
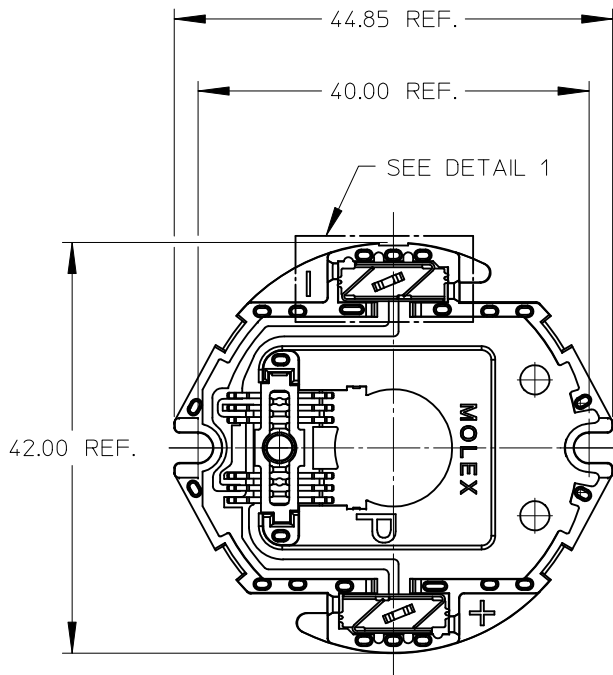
NOTES:

- 1) MATERIALS:
 - a. HOUSING: BLACK COLOR LCP 40% MINERAL FILLED UL94V-2
 - b. COVER: BLACK COLOR PA66 NYLON 25% GF UL94V-0
 - c. SNAP ON LENS/COVER: CLEAR PC POLYCARBONATE UF UL94HB
 - d. JUMPER: NATURAL COLOR PBT POLYESTER 30% GF UL94V-0
- 2) WIRE TRAP TERMINALS: COPPER ALLOY
 - a. FINISH: 2.50 MICRONS (100μ in.) OF TIN OVER 1.25 MICRONS (50μ in.) OF NICKEL
- 3) JUMPER TERMINALS: PHOSPHOR BRONZE
 - a. FINISH 0.25-0.50 MICRONS (10-20μ in.) SELECTIVE HARD GOLD IN CONTACT AREA
1.25-2.50 MICRONS (50-100μ in.) NICKEL ALL OVER
- 4) THIS PRODUCT IS ELV AND ROHS COMPLIANT
- 5) APPLICABLE WIRE GAUGE - 18 OR 20 AWG
 - a. SOLID WIRE IS RECOMMENDED
 - b. IF STRANDED WIRE IS USED, PRE-TINNED IS RECOMMENDED
 - c. 1 cm STRIP LENGTH IS RECOMMENDED.
- 6) MOUNT HOLDER USING M3 OR 4-40 SCREWS (2), 0.8 NEWTON METERS MAX TORQUE

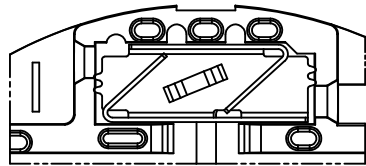
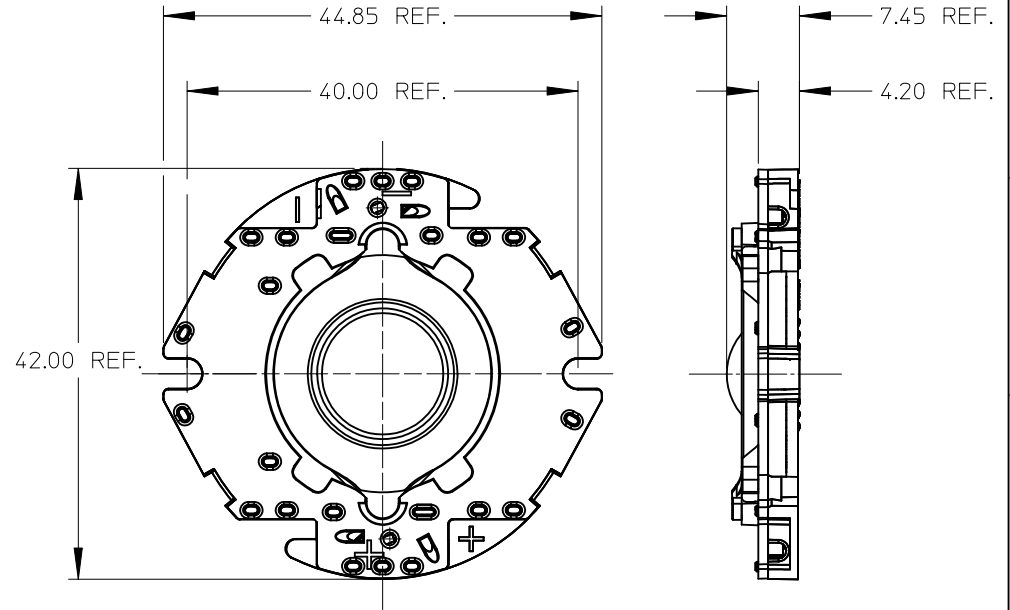
RECOMMENDED MOUNTING DIMENSIONS

ENTER DESCRIPTION EC NO: SSL2012-0059 DRAWN: CCARRANZA 2011/12/01 CHKD: DMCOWAN APPR: DMCOWAN 2011/12/15	QUALITY SYMBOLS ▽=0 ▽=0 ▽=0	GENERAL TOLERANCES (UNLESS SPECIFIED)		DIMENSION STYLE MM ONLY		SCALE 2:1	DESIGN UNITS METRIC	THIRD ANGLE PROJECTION		
		mm		INCH		DRAWN BY CCARRANZA	DATE 2010/10/07	CREE MP-L EASY WHITE LED HOLDER		
		4 PLACES ± ---		± ---		CHECKED BY				
		3 PLACES ± ---		± ---		APPROVED BY DMCOWAN		DATE 2010/11/23	MOLEX INCORPORATED	
2 PLACES ± 0.13		± ---		MATERIAL NO.		DOCUMENT NO. SD-180160-000	SHEET NO. 1 OF 4			
1 PLACE ± 0.25		± ---		DRAFT WHERE APPLICABLE MUST REMAIN WITHIN DIMENSIONS		SEE CHART		THIS DRAWING CONTAINS INFORMATION THAT IS PROPRIETARY TO MOLEX INCORPORATED AND SHOULD NOT BE USED WITHOUT WRITTEN PERMISSION		
ANGULAR ± 1/2°				SIZE B						

LED HOLDER WIRED IN PARALLEL PART NUMBER 180160-000
(COVER REMOVED FROM FRONT VIEW FOR CLARITY)



LED HOLDER WITH OPTIONAL CLEAR SNAP-ON LENS
WIRED IN PARALLEL PART NUMBER 180160-0001

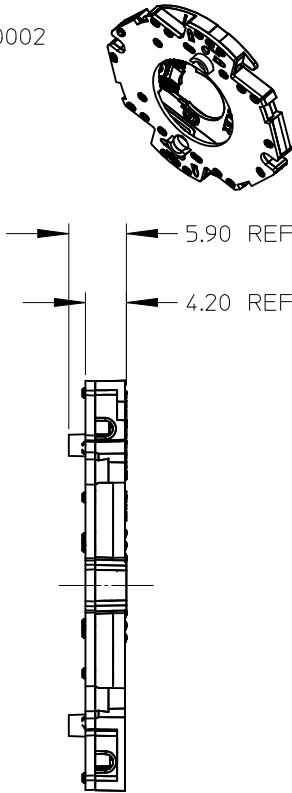
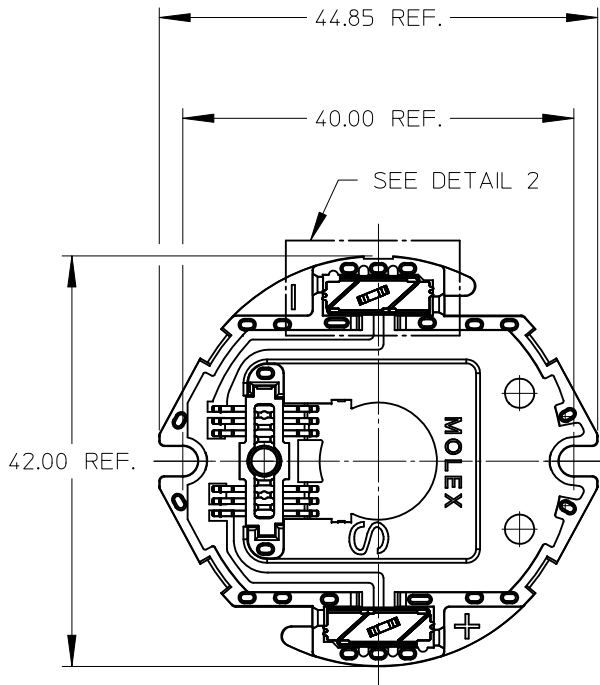


VIEW OF TWO-WAY WIRE TRAP
WIRE TRAPS WILL ACCOMODATE
EITHER 18 OR 20 GAUGE WIRE

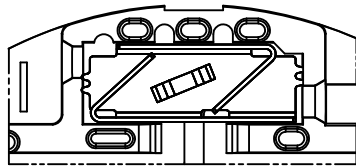
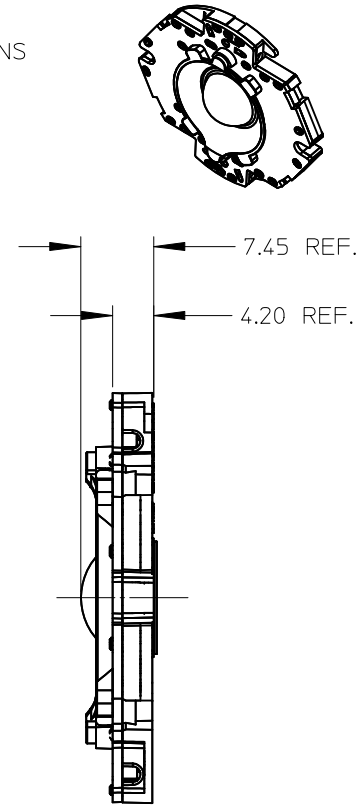
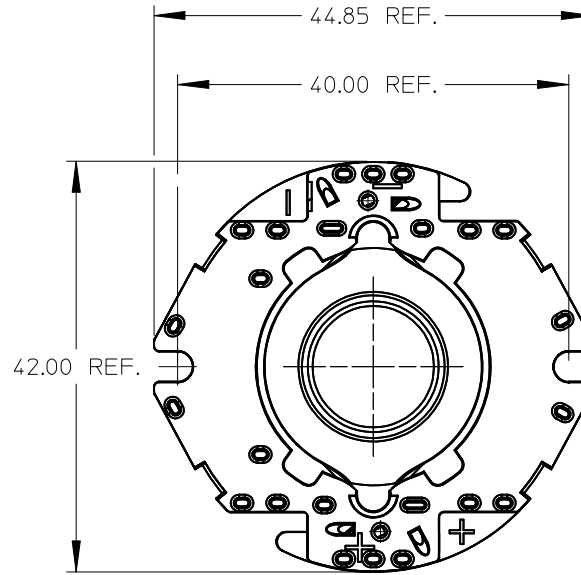
DETAIL 1 SCALE 4:1

ENTER DESCRIPTION EC NO: SSL2012-0059 DRAWN: CCARRANZA 2011/12/01 CHKD: JAPPR:DMCGOWAN 2011/12/15 APPR: DMCGOWAN	QUALITY SYMBOLS $\nabla F=0$ $\nabla F=0$ $\nabla F=0$	GENERAL TOLERANCES (UNLESS SPECIFIED)		DIMENSION STYLE MM ONLY		SCALE 2:1	DESIGN UNITS METRIC	THIRD ANGLE PROJECTION		
		4 PLACES \pm --- \pm --- 3 PLACES \pm --- \pm --- 2 PLACES \pm 0.13 \pm --- 1 PLACE \pm 0.25 \pm ---	mm INCH	DRAWN BY CCARRANZA	DATE 2010/10/07	TITLE CREE MP-L EASY WHITE LED HOLDER				
		ANGULAR \pm 1/2°		CHECKED BY DATE	APPROVED BY DMCGOWAN	DATE 2010/11/23	MOLEX INCORPORATED			
		DRAFT WHERE APPLICABLE MUST REMAIN WITHIN DIMENSIONS		SEE CHART		MATERIAL NO.	DOCUMENT NO. SD-180160-000	SHEET NO. 2 OF 4		
B1	REV			SIZE B	THIS DRAWING CONTAINS INFORMATION THAT IS PROPRIETARY TO MOLEX INCORPORATED AND SHOULD NOT BE USED WITHOUT WRITTEN PERMISSION					

LED HOLDER WIRED IN SERIES PART NUMBER 180160-0002
(COVER REMOVED FROM FRONT VIEW FOR CLARITY)



LED HOLDER WITH OPTIONAL CLEAR COVER LENS
WIRED IN SERIES PART NUMBER 180160-0003



VIEW OF TWO-WAY WIRE TRAP
WIRE TRAPS WILL ACCOMODATE
EITHER 18 OR 20 GAUGE WIRE

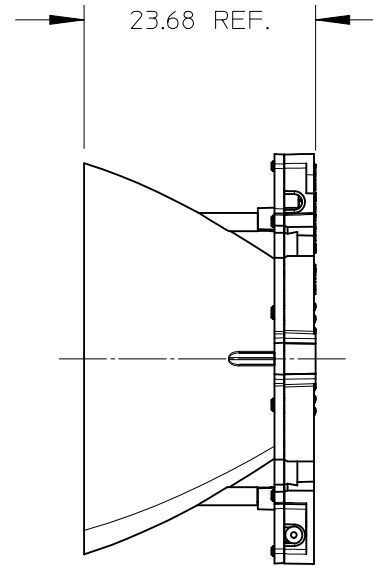
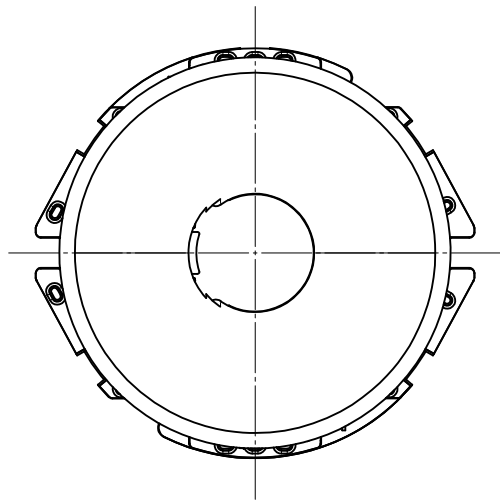
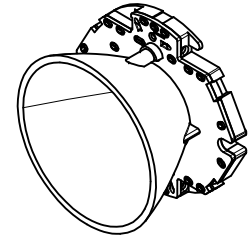
DETAIL 2 SCALE 4:1

ENTER DESCRIPTION EC NO: SSL2012-0059 DRW: CCARRANZA 2011/12/01 CHKD: JMC APPR: DMCGOWAN 2011/12/15 REV B1	QUALITY SYMBOLS $\nabla = 0$ $\nabla = 0$ $\nabla = 0$	GENERAL TOLERANCES (UNLESS SPECIFIED) mm INCH 4 PLACES ± --- ± --- 3 PLACES ± --- ± --- 2 PLACES ± 0.13 ± --- 1 PLACE ± 0.25 ± --- ANGULAR ± 1/2°	DIMENSION STYLE MM ONLY DRAWN BY CCARRANZA DATE 2010/10/07 CHECKED BY DATE APPROVED BY DMCGOWAN DATE 2010/11/23 MATERIAL NO.	SCALE 2:1 DESIGN UNITS METRIC THIRD ANGLE PROJECTION	TITLE CREE MP-L EASY WHITE LED HOLDER
	DRAFT WHERE APPLICABLE MUST REMAIN WITHIN DIMENSIONS		SEE CHART	MOLEX INCORPORATED DOCUMENT NO. SD-180160-000	SHEET NO. 3 OF 4
	THIS DRAWING CONTAINS INFORMATION THAT IS PROPRIETARY TO MOLEX INCORPORATED AND SHOULD NOT BE USED WITHOUT WRITTEN PERMISSION				
	THIS DRAWING CONTAINS INFORMATION THAT IS PROPRIETARY TO MOLEX INCORPORATED AND SHOULD NOT BE USED WITHOUT WRITTEN PERMISSION				

10 9 8 7 6 5 4 3 2 1

SHOWN WITH OPTIONAL LEDIL REFLECTOR AND
MOLEX CLEAR COVER (P/N 180162-0002)

LEDIL REFLECTOR SOLD SEPARATELY @ www.ledil.com



ENTER DESCRIPTION EC NO: SSL2012-0059 DRWN: CCARRANZA 2011/12/07 CHKD: APPR: DMCGOWAN 2011/12/15 REV B1	QUALITY SYMBOLS $\nabla F/0$ $\nabla F/0$ $\nabla F/0$	GENERAL TOLERANCES (UNLESS SPECIFIED) <table border="1"> <thead> <tr> <th></th> <th>mm</th> <th>INCH</th> </tr> </thead> <tbody> <tr> <td>4 PLACES</td> <td>\pm---</td> <td>\pm---</td> </tr> <tr> <td>3 PLACES</td> <td>\pm---</td> <td>\pm---</td> </tr> <tr> <td>2 PLACES</td> <td>± 0.13</td> <td>\pm---</td> </tr> <tr> <td>1 PLACE</td> <td>± 0.25</td> <td>\pm---</td> </tr> </tbody> </table> ANGULAR $\pm 1/2^\circ$		mm	INCH	4 PLACES	\pm ---	\pm ---	3 PLACES	\pm ---	\pm ---	2 PLACES	± 0.13	\pm ---	1 PLACE	± 0.25	\pm ---	DIMENSION STYLE MM ONLY DRAWN BY DATE CCARRANZA 2010/10/07 CHECKED BY DATE	SCALE 1:1 DESIGN UNITS METRIC THIRD ANGLE PROJECTION	TITLE CREE MP-L EASY WHITE LED HOLDER
		mm	INCH																	
	4 PLACES	\pm ---	\pm ---																	
	3 PLACES	\pm ---	\pm ---																	
2 PLACES	± 0.13	\pm ---																		
1 PLACE	± 0.25	\pm ---																		
		DRAFT WHERE APPLICABLE MUST REMAIN WITHIN DIMENSIONS	APPROVED BY DATE DMCGOWAN 2010/11/23 MATERIAL NO.	Molex MOLEX INCORPORATED	SHEET NO. 4 OF 4															
			SEE CHART	DOCUMENT NO. SD-180160-000																
			THIS DRAWING CONTAINS INFORMATION THAT IS PROPRIETARY TO MOLEX INCORPORATED AND SHOULD NOT BE USED WITHOUT WRITTEN PERMISSION																	

9 8 7 6 5 4 3 2 1