

NOTES

1. FOCAL LENGTH = 31.8mm
2. APPLICABLE BULB CAP: P21W(BA15s)
3. MATES WITH

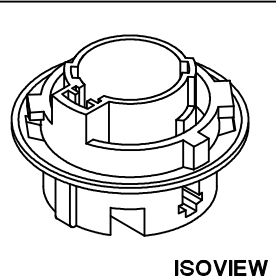
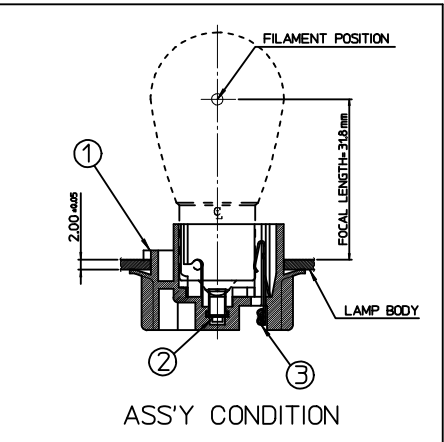
NO.	DESCRIPTION	MATERIAL	ORDER NO.	REMARK
②	POSITIVE TERMINAL	PHOSPHOR BRONZE	35438-8000	UNPLATED
③	EARTH TERMINAL	PHOSPHOR BRONZE	35439-8000	UNPLATED

<PART LIST>

NO.	DESCRIPTION	MATERIAL	USAGE	REMARK
①	SINGLE SOCKET	PA66 M/F	1	C TYPE

<TABLE 1>

MATERIAL NO.	ORDER NO.	COLOR
355330221	35533-0221	BLACK
355330224	35533-0224	BLUE
355330225	35533-0225	GRAY
355330226	35533-0226	WHITE



CHANGED OF NOTES
 EC NO: KOR2010-0023
 DRW: KEOKIM 2009/08/18
 CHK: DBCY00N 2009/08/19
 APPR: YUNSIKKIM 2009/08/20

REV	DESCRIPTION
T	

QUALITY SYMBOLS
 ▽ = 0
 ∇ = 0

GENERAL TOLERANCES (UNLESS SPECIFIED)

	mm	INCH
4 PLACES	± ---	± ---
3 PLACES	± ---	± ---
2 PLACES	± 0.2	± ---
1 PLACE	± 0.3	± ---

ANGULAR ± 3 °

DRAFT WHERE APPLICABLE MUST REMAIN WITHIN DIMENSIONS

DIMENSION STYLE		SCALE	
MM ONLY		1:1	
DRAWN BY	DATE	TITLE	
JSKANG	1998/01/31	NON-SEALED BULB SOCKET SINGLE HOUSING ASS'Y (C-TYPE)	
CHECKED BY	DATE		
BKCHOI	1998/01/31		
APPROVED BY	DATE		
CWLEE	1998/01/31		

DESIGN UNITS		THIRD ANGLE PROJECTION	
METRIC			
MATERIAL NO.		DOCUMENT NO.	
SEE TABLE 1		SD-35533-003	
SIZE A3		SHEET NO. 1 OF 1	