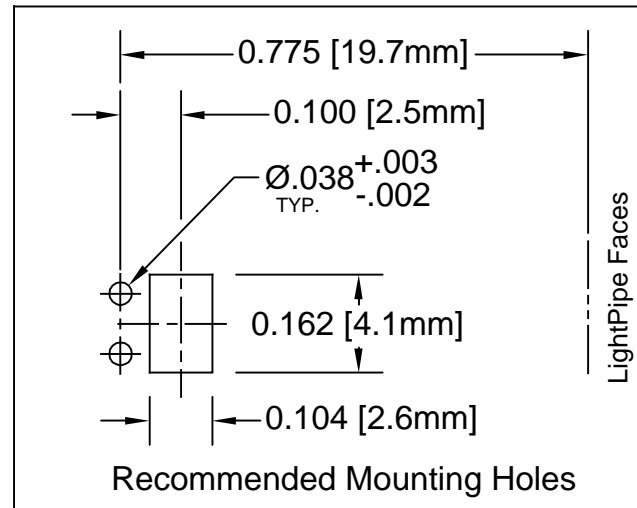
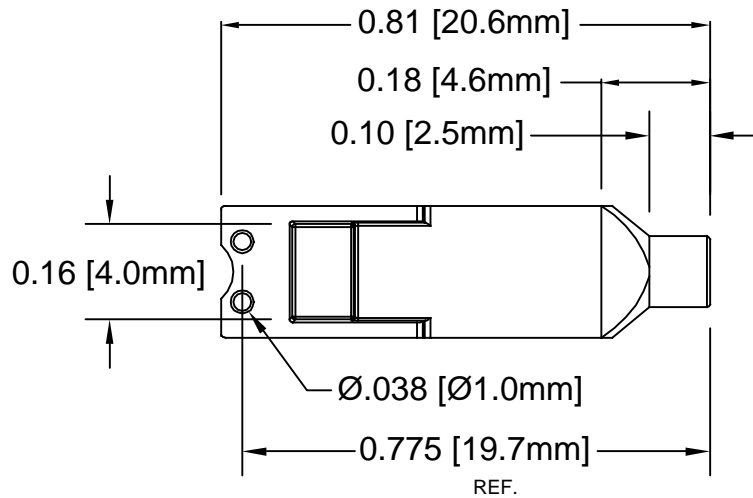
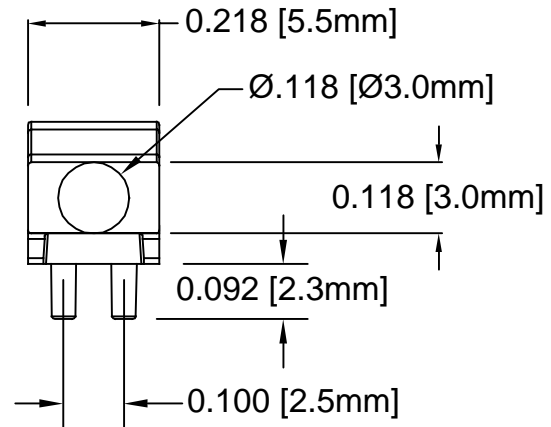
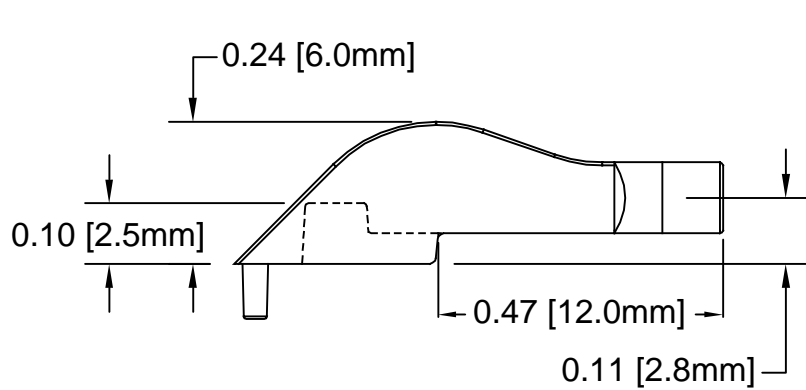



REV.	DESCRIPTION	DATE	APPROVED
A	Engineering Update w/o Changes	03/09/04	M. C.
B	TYPO Correction, Dim. 0.775" was 0.740".	05/11/05	M. C.
C	Updated Material Code.	02/12/07	M. C.



2. MATERIAL: POLYCARBONATE, 94V-0, CLEAR. BIVAR MATERIAL CODE 47-CR.  
SAM YANG CORPORATION POLYCARBONATE 3025N2 CLEAR.

1. GENERAL SPECIFICATIONS: BIVAR MOLDED COMPONENT SPECIFICATION BV00-E101.

STANDARD TOLERANCE (UNLESS OTHERWISE SPECIFIED)		<b>BIVAR</b> <sup>®</sup>	
DECIMALS	ANGULAR	4 THOMAS, IRVINE, CA. 92618 TEL: (949) 951-8808 FAX: (949) 951-3974	
.X ±.1	X° ±1°	 <b>TITLE:</b> LIGHT PIPE, 90° SURFACE MOUNT <b>PART NO:</b> SLP-1 <b>REVISION:</b> C	
.XX ±.01			
.XXX ±.005			
DESIGNED: <b>Shane Irving</b>	DATE: <b>11/23/98</b>	<b>CAGE CODE :</b> 32559	<b>SHEET #</b> 1 OF 1
CHECKED: <b>R. Dienst</b>	DATE: <b>08/14/00</b>	CAD GENERATED DOCUMENT, DO NOT MEASURE DRAWING.	