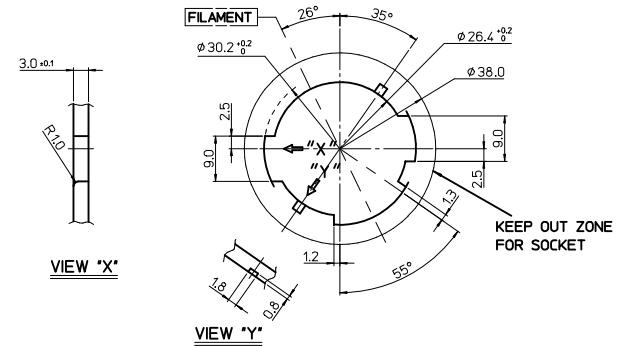
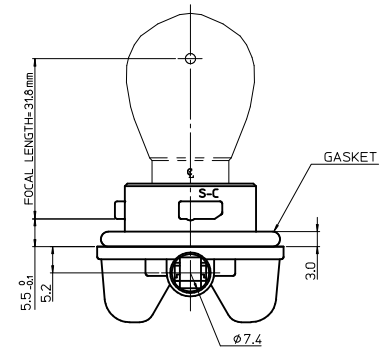
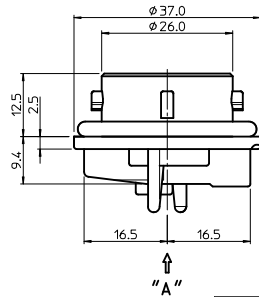
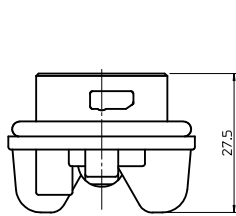
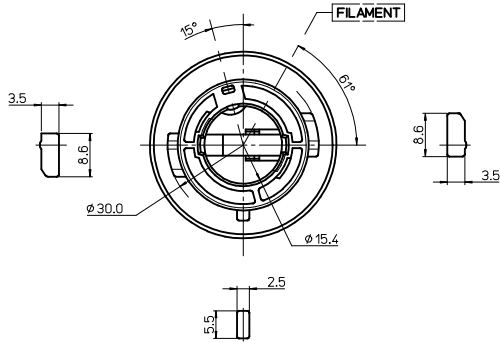
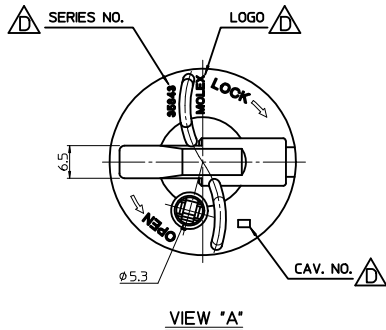


- NOTES
 1. FOCAL LENGTH = 31.8mm
 2. PRODUCT SPECIFICATION: PS-35842-001
 3. APPLICABLE BULB CAP: P21W(BA15s)
 4. MATES WITH

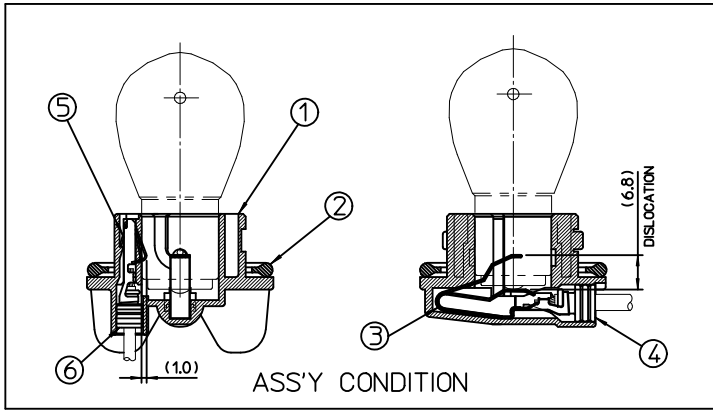
<PART LIST>

NO.	DESCRIPTION	MATERIAL	USAGE	REMARK
①	SINGLE SOCKET	PA66 M/F	1	C TYPE
②	SEAL GASKET	NBR	1	BLACK

NO.	DESCRIPTION	MATERIAL	ORDER NO.	REMARK
③	POSITIVE TERMINAL	PHOSPHOR BRONZE	35464-8000	UNPLATED
④	POSITIVE WIRE SEAL	SILICONE	35903-0096	BROWN
⑤	EARTH TERMINAL	PHOSPHOR BRONZE	35465-8000	UNPLATED
⑥	EARTH WIRE SEAL	SILICONE	35903-0106	BLUE



MOUNTING INTERFACE (MI-3)



REVISED	EC NO: KOR2010-0146	2010/04/05	DRW:NEOKIM	2010/04/05	CHKD:WYANG	2010/04/06	APPR:YUNSIKIM	2010/04/06
D	DESCRIPTION							

<TABLE 1>

MATERIAL NO.	ORDER NO.	COLOR
358431221	35843-1221	BLACK
358431225	35843-1225	GRAY
358431226	35843-1226	WHITE
358431227	35843-1227	BROWN

GENERAL TOLERANCES (UNLESS SPECIFIED)

	mm	INCH
4 PLACES	± ---	± ---
3 PLACES	± ---	± ---
2 PLACES	± 0.15	± ---
1 PLACE	± 0.25	± ---
ANGULAR ± 2 °		

DRAFT WHERE APPLICABLE MUST REMAIN WITHIN DIMENSIONS

DIMENSION STYLE	SCALE	DESIGN UNITS	THIRD ANGLE PROJECTION
MM ONLY	1:1	METRIC	
DRAWN BY	DATE	TITLE	
YSIKKIM	1999/05/13	SEALED PT BULB SOCKET SINGLE HOUSING ASS'Y (C-TYPE)	
CHECKED BY	DATE		
BKCHOI	1999/05/13		
APPROVED BY	DATE		
CWLEE	1999/05/13		
MATERIAL NO.	DOCUMENT NO.	MOLEX INCORPORATED	
SEE TABLE 1	SD-35843-003		
SIZE	THIS DRAWING CONTAINS INFORMATION THAT IS PROPRIETARY TO MOLEX INCORPORATED AND SHOULD NOT BE USED WITHOUT WRITTEN PERMISSION		
A3			
	SHEET NO.	1 OF 1	