



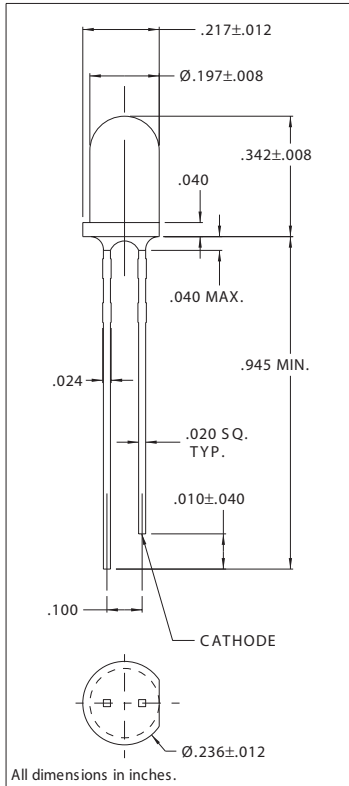
Chicago Miniature Lighting, LLC

Lighting the world since 1910

4305H Solid State LED Lamps-
Ultra Brite 120 mcd T-1 3/4 (5mm)

4305H Solid State LED Lamps-Ultra Brite 120 mcd T-1 3/4 (5mm)

DESCRIPTION AND FEATURES



T-1 3/4 Ultra Brite LEDs

- Narrow beam viewing angle
- High-intensity light output

ELECTRO-OPTICAL CHARACTERISTICS AND RATINGS

PART NUMBER	4305H1	4305H5	4305H7
Output Color	Red	Green	Yellow
Diffusion	Non-Diffused	Non-Diffused	Non-Diffused
Package Color	Red	Green	Yellow
Test Current (mA)	20	20	20
Forward Voltage Typ. (V)	2.1	2.2	2.2
Forward Voltage Max. (V)	3.0	3.0	3.0
Luminous Intensity Min. (mcd)	20	30	56
Luminous Intensity Typ. (mcd)	68	100	160
Capacitance @ V=0	45	20	45
Peak Wavelength (nm)	650	563	585
Viewing Angle 2θ 1/2 (degrees)	30	30	30
Power Dissipation (mW)	75	75	75
Reverse Breakdown Voltage Min. (V)	5	5	5

147 Central Avenue
 Hackensack, NJ 07601
 Phone: (201) 489-8989
 Fax: (201) 489-6911

18703 Dix Toledo Road
 Brownstown, MI 48193

Saret Zone Franca, Edificio B
 Alajuela Costa Rica

E-mail: sales@chml.com • Web Site: www.chml.com

Chicago Miniature Lighting, LLC reserves the right to make specification revisions that enhance the design and/or performance of the product