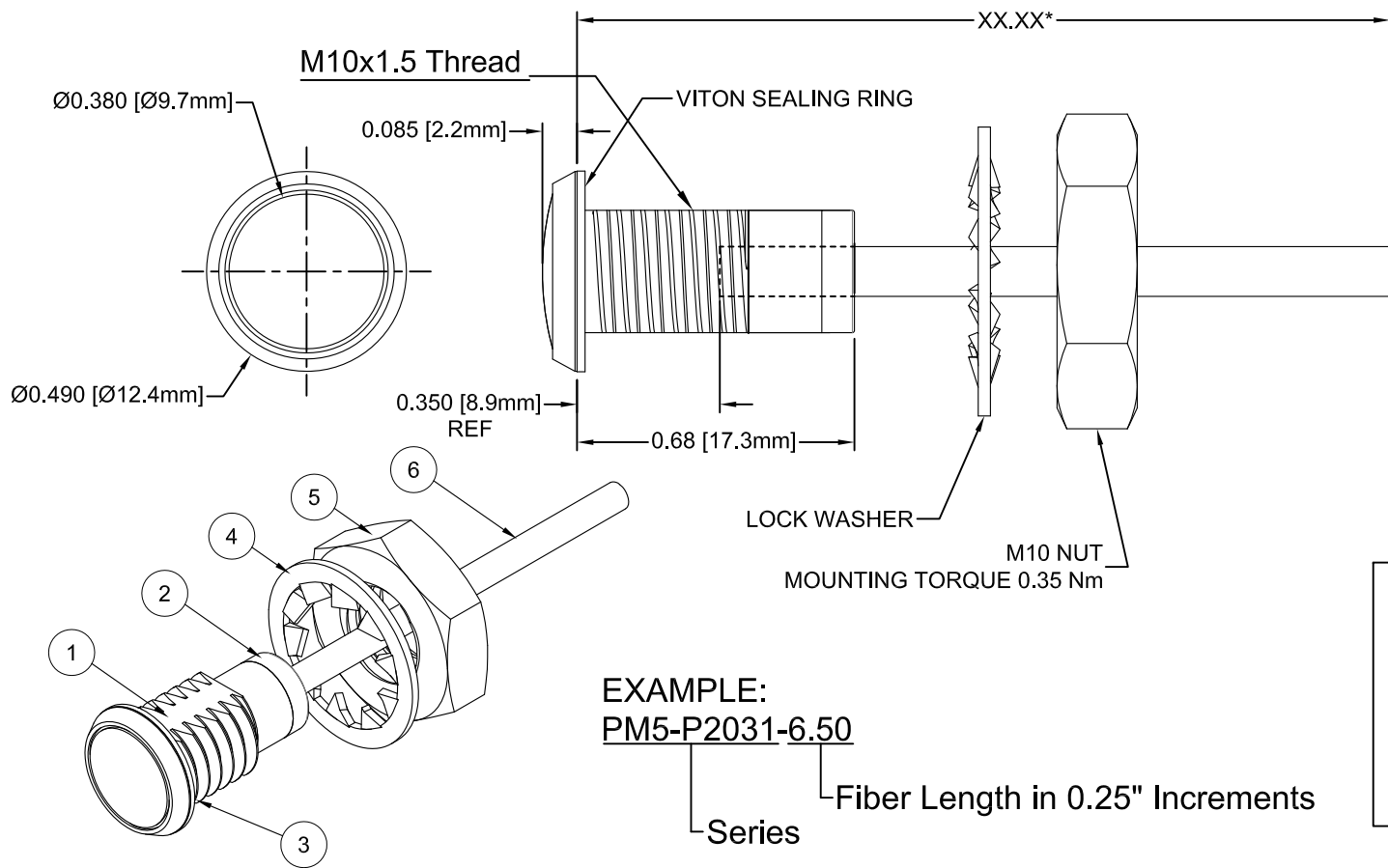
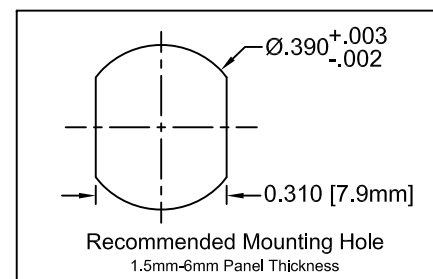


ITEM	Q'TY	PART NUMBER	PART DESCRIPTION
1	1	PM5-PL	5mm Polycarbonate Panel Mount Housing
2	1	PM5-FP31	3.1mm to 5mm Flexible Light Pipe Adapter
3	1	PM5-VS	5mm Viton Sealing Ring
4	1	WASH-1008	10mm Internal Tooth Lock Washer
5	1	NUT-1003	10mm Thin Nut
6	1	FLPS2031-XX.X	2mm x 3.1mm Flexible Light Pipe

REV.	DESCRIPTION	DATE	APPROVED
B	Engineering Release	06/19/12	T. Y.



*Length "XX.XX"	Tolerance
2.50" ~ 16.00"	±0.050"
16.25" ~ 40.00"	±0.15"
40.25" ~ 80.00"	±0.30"
80.25" ~ 500.0"	±0.5%



NOTES:

1. SEALED TO IP67 RATING
2. ROHS COMPLIANT
3. MOUNTING HARDWARE SHIPPED NON-ASSEMBLED
4. INSERT VITON RING ON PANEL MOUNT PRIOR TO PANEL INSERTION

STANDARD TOLERANCE (UNLESS OTHERWISE SPECIFIED)		BIVAR [®] 4 THOMAS, IRVINE, CA. 92618 TEL: (949) 951-8808 FAX: (949) 951-3974		
DECIMALS	ANGULAR			
.X ±.1	X° ± 1°	TITLE: IP-67 Rated Panel Mount Flexible Light Pipe Indicator PART NO: PM5-P2031-XX.XX REVISION: B		
.XX ±.02				
.XXX ±.010		DESIGNED: Brian Oliver CHECKED: T. Yin	DATE: 04/12/12 DATE: 04/12/12	CAGE CODE : 32559 SHEET # 1 OF 1 <small>CAD GENERATED DOCUMENT, DO NOT MEASURE DRAWING.</small>