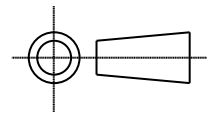


ISS.	DATE	E.C.N.	DESCRIPTION
2	18-Jun-09	06/O9/1246	PART NO. TABLE CORRECTED

© 2008 CARCLO  
ALL DIMENSIONS IN mm



CUSTOMER DRAWING



CARCLO TECHNICAL PLASTICS (SLOUGH)  
111 BUCKINGHAM AVE, SLOUGH  
SL1 4PF, ENGLAND  
TEL: +44 1753 575011 FAX: +44 1753 811359  
e-mail: design@carclo-optics.com}

GENERAL TOLERANCES (UNLESS STATED)

LINEAR	ANGULAR
X +/- 0.25	X +/- 1°
X.X +/- 0.1	X.X +/- 0.5°
X.XX +/- 0.05	X.XX +/- 0.1°

CUSTOMER

CARCLO

TITLE

20MM DIA LED OPTIC HOLDER  
FOR 5 x 5MM LEDS

DRAWN

AJD

DATE

14-Oct-08

CHK'D

DATE

APP'D

DATE

SCALE

2:1

CARCLO PART No.

SEE TABLE

SIZE

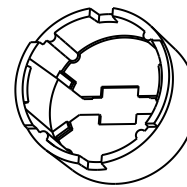
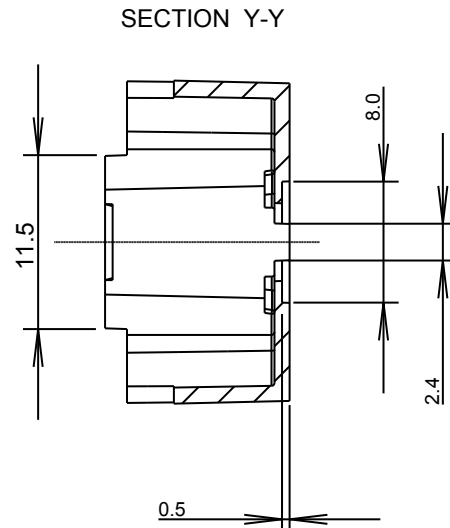
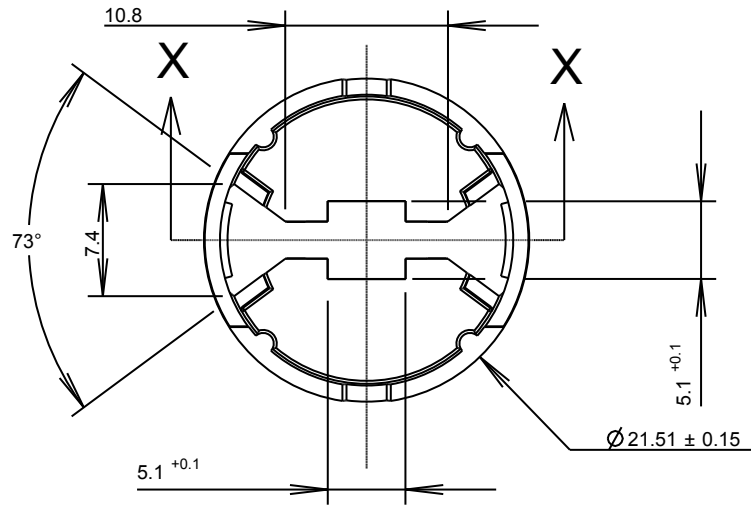
A4

CARCLO DRG. No.

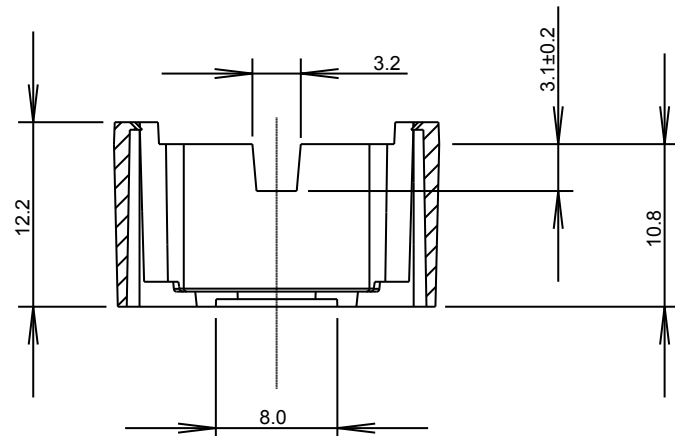
60552

SHEET

1 OF 1



3D GENERAL VIEW  
SCALE 1:1



SECTION X-X

NOTES:  
1. MATERIAL: POLYCARBONATE  
2. GENERAL WALL THICKNESS 1mm

PART No.	DESCRIPTION
10615	BLACK
10616	CLEAR
10617	WHITE