

NOTES

1. FOCAL LENGTH = 31.8mm
2. APPLICABLE BULB CAP: P21/5W(BAY15d)
3. MATES WITH

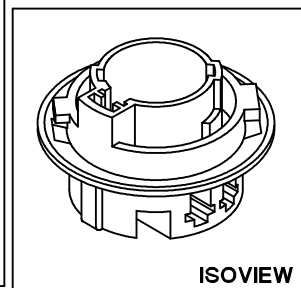
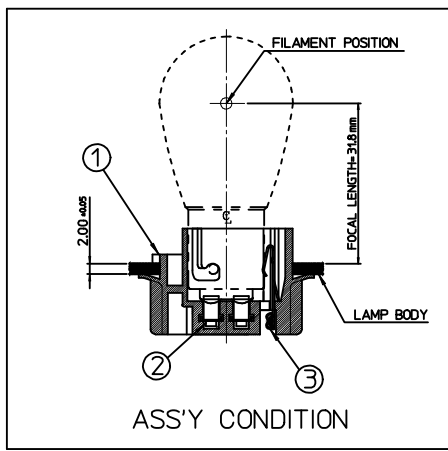
| NO. | DESCRIPTION | MATERIAL | ORDER NO. | REMARK |
|-----|-------------------|-----------------|------------|----------|
| ② | POSITIVE TERMINAL | PHOSPHOR BRONZE | 35438-8000 | UNPLATED |
| ③ | EARTH TERMINAL | PHOSPHOR BRONZE | 35439-8000 | UNPLATED |

<PART LIST>

| NO. | DESCRIPTION | MATERIAL | USAGE | REMARK |
|-----|---------------|----------|-------|--------|
| ① | DOUBLE SOCKET | PA66 M/F | 1 | A TYPE |

<TABLE 1>

| MATERIAL NO. | ORDER NO. | COLOR |
|--------------|------------|-------|
| 355320301 | 35532-0301 | BLACK |
| 355320305 | 35532-0305 | GRAY |
| 355320306 | 35532-0306 | WHITE |



CHANGED OF NOTES

| | |
|---------------------|------------|
| EC NO: KOR2010-0023 | 2009/08/18 |
| DRW:KOKIM | 2009/08/19 |
| CHKD:BCYOON | 2009/08/20 |
| APPR:YUNSIKKIM | 2009/08/20 |

| QUALITY SYMBOLS | GENERAL TOLERANCES (UNLESS SPECIFIED) | |
|-----------------|---------------------------------------|-------|
| | mm | INCH |
| ▽=0 | 4 PLACES ± --- | ± --- |
| ▽=0 | 3 PLACES ± --- | ± --- |
| | 2 PLACES ± 0.15 | ± --- |
| | 1 PLACE ± 0.25 | ± --- |
| | ANGULAR ± 2 ° | |

DRAFT WHERE APPLICABLE MUST REMAIN WITHIN DIMENSIONS

| DIMENSION STYLE | | SCALE | DESIGN UNITS |
|-----------------|------------|---|--------------|
| MM ONLY | | 1:1 | METRIC |
| DRAWN BY | DATE | TITLE | |
| JSKANG | 1997/11/28 | NON-SEALED BULB SOCKET DOUBLE HOUSING ASS'Y (A-TYPE) | |
| CHECKED BY | DATE | MOLEX INCORPORATED | |
| BKCHOI | 1997/11/28 | MATERIAL NO. SD-35532-001 | |
| APPROVED BY | DATE | SHEET NO. 1 OF 1 | |
| CWLEE | 1997/11/28 | THIS DRAWING CONTAINS INFORMATION THAT IS PROPRIETARY TO MOLEX INCORPORATED AND SHOULD NOT BE USED WITHOUT WRITTEN PERMISSION | |