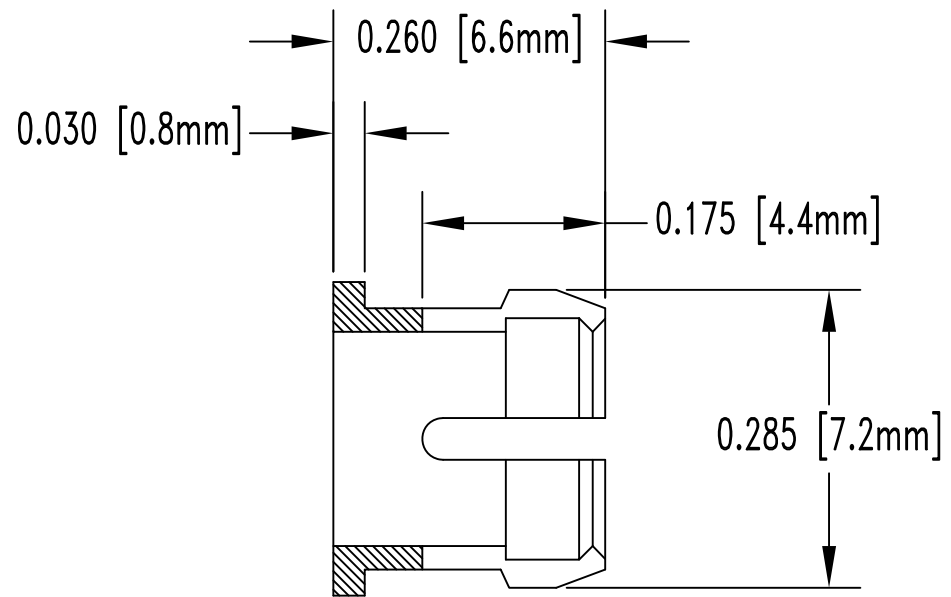
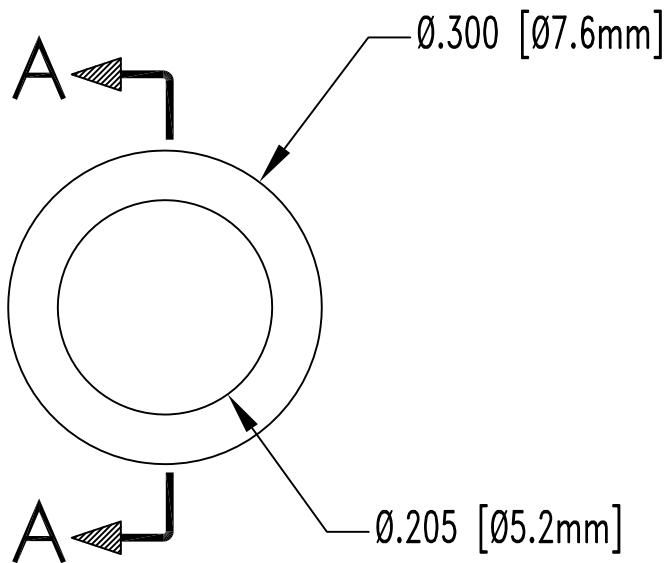

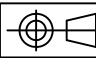
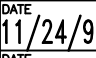


REV	DESCRIPTION	DATE	APPROVED
A	ENGINEERING RELEASE.	05/17/02	M. C.
B	MATERIAL UPDATE.	02/28/03	M. C.
C	Update Part Name	04/05/12	T. Y.



SECTION A-A

2. MATERIAL: NYLON 6/6, 94V-0, BLACK. (0% REGRIND ALLOWED)
RTP POLYAMIDE NYLON 6/6, RTP 0200 FR, BLACK, 94V-0, OR
MODIFIED PLASTICS MN6/6-SE BK, 94V-0, BIVAR MATERIAL CODE 22-BK.
1. GENERAL SPECIFICATIONS: BIVAR MOLDED COMPONENT SPECIFICATION BV00-E101.

UNLESS OTHERWISE SPECIFIED: DIMENSIONS ARE IN INCHES		 4 THOMAS, IRVINE, CA.92618 TEL: (949) 951-8808 FAX: (949) 951-3874			
TOLERANCES					
DECIMALS	ANGULAR	PART NAME: CLIP SNAP-IN MOUNTING FOR T1 3/4 (5mm) LEDs			
.X ± .1	X° ± 1°				
.XX ± .01					
.XXX ± .005					
DESIGNER	DATE	SIZE	DWG NAME	DWG NO.	REV
SHANE IRVING	11/24/98	A		C-174	C
CHECKER	DATE	SCALE	CAGE CODE	SHEET	
M CHEN	02/28/03	1=1	32559	1 OF 1	