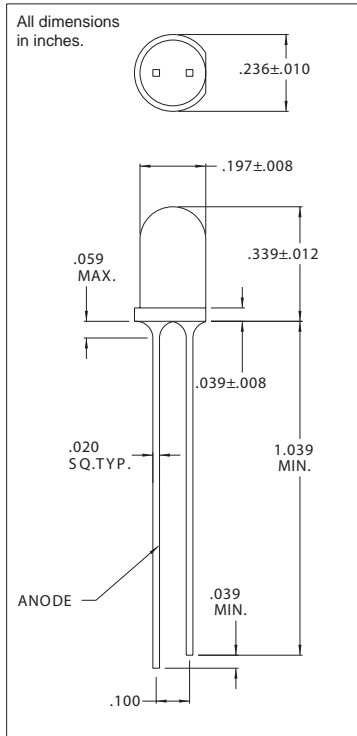




4304H6 Solid State LED Lamps-High Brightness T-1 3/4 (5mm)

DESCRIPTION AND FEATURES



- T-1 3/4 LED
- Blue output at 470nm peak wavelength
- Silicon carbide technology
- Clear diffused lens
- High brightness

ELECTRO-OPTICAL CHARACTERISTICS AND RATINGS

| | |
|--------------------------------------|--------------|
| PART NUMBER | 4304H6 |
| Output Color | Blue |
| Diffusion | Non-Diffused |
| Package Color | Clear |
| Rated Current (mA) | 20 |
| Forward Voltage Typ. (V) | 5 |
| Forward Voltage Max. (V) | 6 |
| Luminous Intensity Typ. (mcd) | 160 |
| Peak Wavelength (nm) | 430 |
| Viewing Angle 2θ 1/2 (degrees) | 40 |
| Power Dissipation (mW) | 98 |
| Continuous Forward Current Max. (mA) | 20 |
| Reverse Breakdown Voltage Min.(V) | 5 |