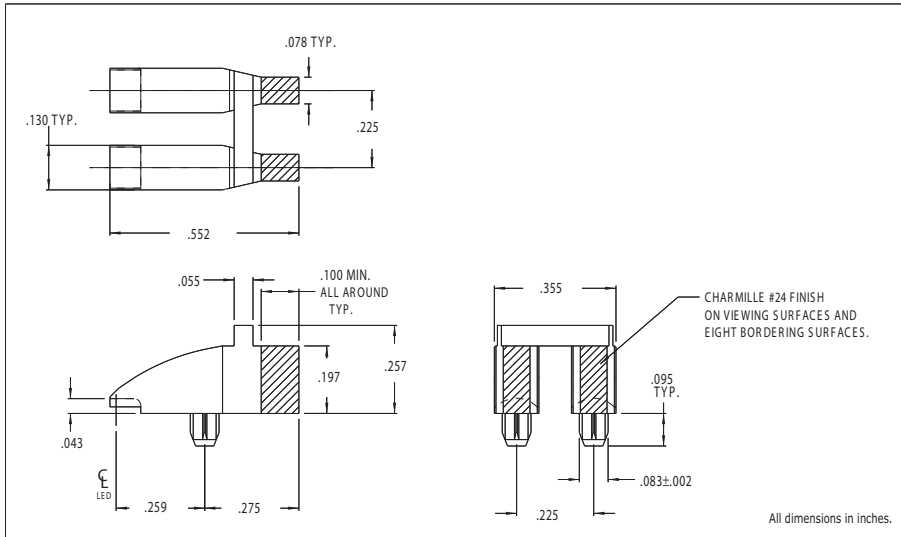




## 7612D2-2 Series 2mm x 5mm Dual Position Bright ★ Pipes™ Optical Lightpipes

### DESCRIPTION AND FEATURES



- Precision engineered with **ray tracing** for bright, optically precise even indication and attractive appearance.
- ESD protection from circuitry for exceptional reliability.
- Optimized for use with Bright ★ Chips™ SMT LEDs.
- High contrast and wide viewing angle for greater visibility.
- Available in a variety of colors for added contrast and aesthetics.
- Parts inserted after reflow to permit LED pad inspection before assembly.
- Low profile for height constrained applications.
- Large lens provides high visibility.
- 7612D2-2 is designed for use with 7020X Series Bright Chip LEDs.

Mounting hole pattern on page 1-X5.