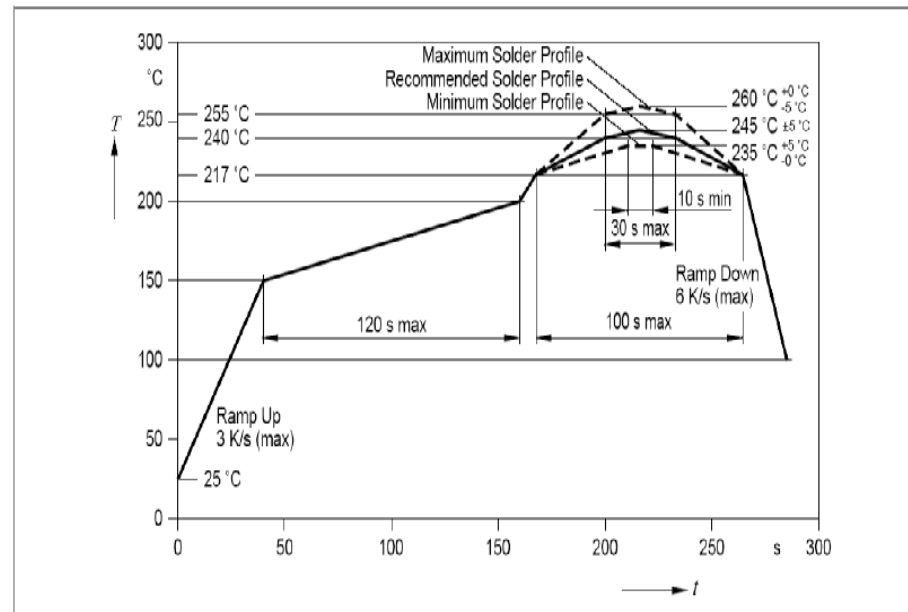


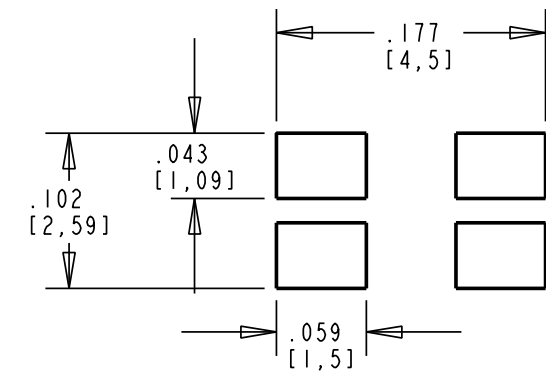
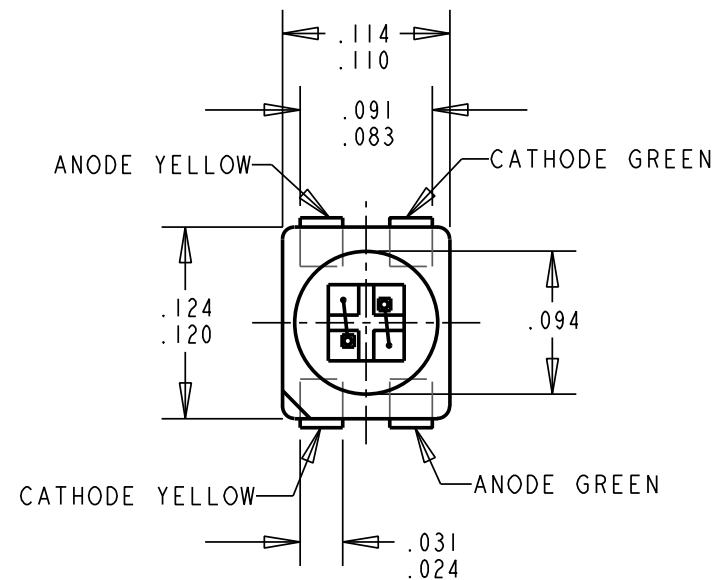
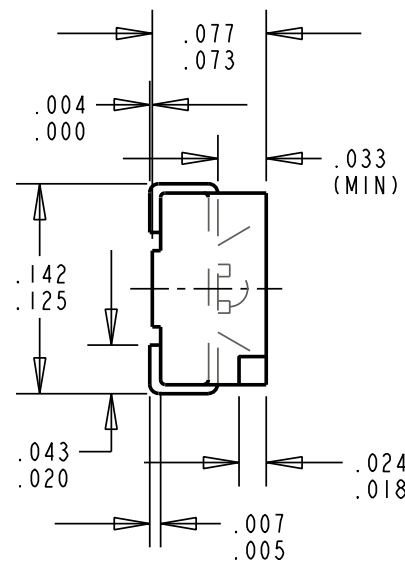
LED CHARACTERISTICS	COLOR	MIN.	TYP.	MAX.	UNITS	TEST CONDITIONS
LUMINOUS INTENSITY	YELLOW	8	16	40	mcd	$I_F = 20 \text{ mA}$
	GREEN	8	16	40		
FORWARD VOLTAGE	YELLOW		2.1	2.6	V	$I_F = 20 \text{ mA}$
	GREEN		2.0	2.7		
REVERSE CURRENT	YELLOW		10	100	μA	$V_R = 5 \text{ V}$
	GREEN		10	100		
PEAK WAVELENGTH	YELLOW		586		nm	
	GREEN		565			
DOMINANT WAVELENGTH	YELLOW	584	590	596	nm	
	GREEN	564	570	576		
VIEWING ANGLE (2θ 1/2)	YELLOW		120		DEG.	$I_F = 20 \text{ mA}$
	GREEN		120			



IR REFLOW SOLDERING PROFILE FOR LEAD FREE SOLDERING

REV	ECN NO	REVISIONS	DRN	CKD	APP	DATE
A		NEW RELEASE	TWC			

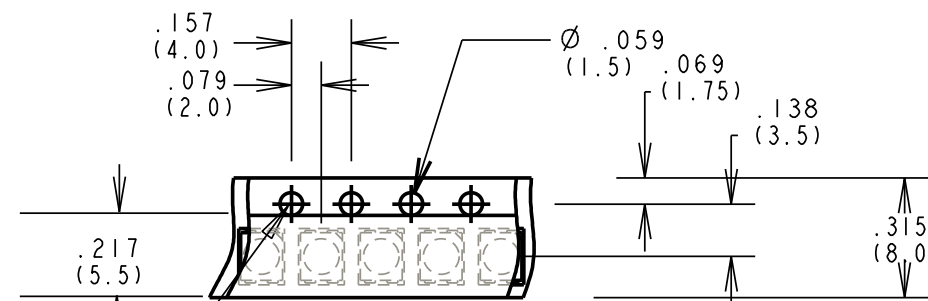
ABSOLUTE MAXIMUM RATINGS AT 25 °C AMBIENT	YELLOW	GREEN	UNITS
POWER DISSIPATION		95	mW
CONTINUOUS FORWARD CURRENT		30	mA
REVERSE VOLTAGE		5	V
OPERATING TEMPERATURE		-40 TO +100	°C
STORAGE TEMPERATURE		-40 TO +100	°C



RECOMMENDED SOLDER PAD LAYOUT

NOTE:

- EPOXY COLOR: WATER CLEAR.
- DIE: GaP FOR GREEN AND GaAsP/GaP FOR YELLOW.
- LEADS: TIN (Sn) OVER NICKEL (Ni) WITH COPPER ALLOY (Cu) LEAD FRAME
- SOLDER ADHERANCE: BOTH LEADS PER MIL-STD-202E, METHOD 208C.
- PART TAPED AND REELED PER EIA-RS-481-1.
- SUFFIX -202F FOR 20 PCS ON A SAMPLE TAPE STRIP.
- SUFFIX -207F FOR 7" DIAMETER REEL, PACKAGED 2000 PCS PER REEL.
- LABELING FOR REEL AND OUTSIDE OF ALUMINUM FOIL BAG: DIALIGHT P/N, R/G BICOLOR, QUANTITY PER REEL, DATE CODE, INTENSITY BIN CODE, LOT NUMBER AND COUNTRY OF ORIGIN.
- DIALIGHT P/N: 597-7721-202F, 597-7721-207F.
- TAPE AND REEL LEDS MAY REQUIRE RE-TAPING AFTER TWELVE MONTHS.
- PRODUCT P/N WITH "F" SUFFIX ENDING IS RoHS COMPLIANT.



TAPE & REEL CONFIGURATION

REEL SPROCKET HOLES
YELLOW CATHODE IDENTIFICATION
NOTCH TOWARDS THESE HOLES

THIS DRAWING AND THE CONTENTS HEREIN ARE CONFIDENTIAL AND THE SOLE PROPERTY OF DIALIGHT. REPRODUCTION OF THIS DRAWING OR CONSTRUCTION OF ANY PARTS WITHIN THIS DRAWING ARE FORBIDDEN WITHOUT THE WRITTEN CONSENT OF DIALIGHT.

SCALE: DRAWING SCALE ALL DIM'S IN: INCHES (MM)	DRAWING NUMBER C-17261	REV A
TOLERANCES: UNLESS OTHERWISE SPECIFIED	TITLE PLCC-4, Y/G BI-COLOR RoHS COMPLIANT	
FRACTIONS: ±1/64 DECIMALS (.XX): ±.01 DECIMALS (.XXX): ±.005 DECIMALS (.XXXX): ±.0005 ANGLES: ±1°	MATERIAL	
FINISH:		
FSCM 83330	SHEET 1 OF 1	FAMILY TABLE:

1501 ROUTE 34 SOUTH
FARMINGDALE, NJ 07727