

REV.	DESCRIPTION	DATE	APPROVED
F	Engineering Release.	10/03/12	T. Y.

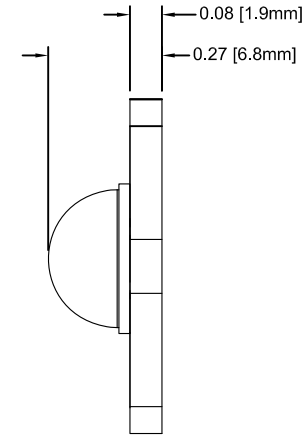
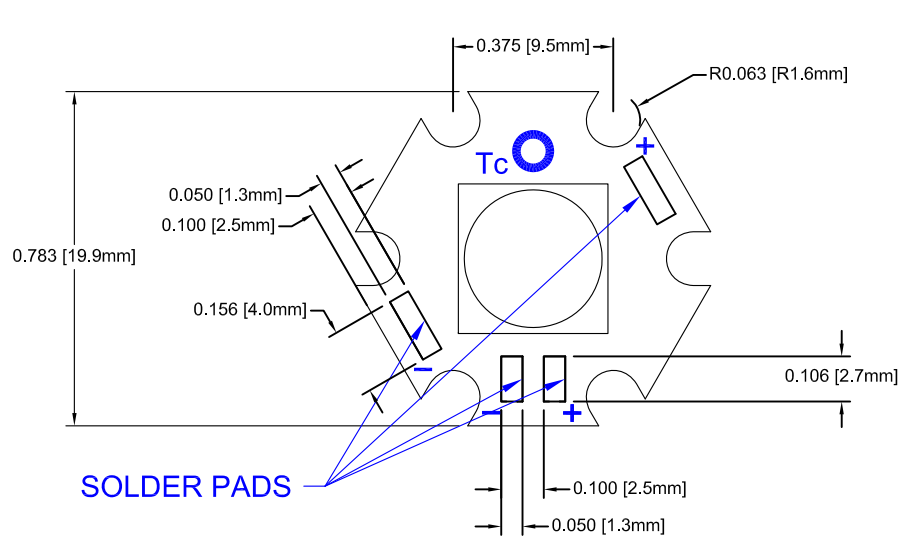



Table 1: Typical Characteristics without Additional Heat Sink						
Part Number	CCT (K)	CRI	Typical Luminous Flux @ If = 200mA, Tc=70C (lm)	Typical Luminous Flux @ If = 350mA, Tc=100C (lm)	Typical DC Forward Current, Vf (V)	Viewing Angle, Axis 1 / Axis 2 (°)
L2-TGN1-S	4000	80	141	160	5.2 ~ 5.3	120
L2-TGW1-S	3000	80	130	148	5.2 ~ 5.3	120

Table 2: Absolute Maximum Ratings with Thermal Management						
Part Number	CCT (K)	CRI	Typical Luminous Flux @ If = 1000mA, Tc=120C (lm)	Typical Luminous Flux @ If = 2500mA, Tc=60C (lm)	Typical DC Forward Current, Vf (V)	Viewing Angle, Axis 1 / Axis 2 (°)
L2-TGN1-S	4000	80	216	660	5.6 ~ 5.9	120
L2-TGW1-S	3000	80	186	566	5.6 ~ 5.9	120

STANDARD TOLERANCE ( UNLESS OTHERWISE SPECIFIED )		 4 THOMAS, IRVINE, CA. 92618 TEL: (949) 951-8808 FAX: (949) 951-3974
DECIMALS	ANGULAR	
.X ± .1	X° ± 1°	<b>TITLE:</b> L2 Starboard Light Engine <b>PART NO:</b> L2-TGXX-S <b>REVISION:</b> F
.XX ± .02		
.XXX ± .010		
DESIGNED: <b>Brian Oliver</b>	DATE: <b>11/02/11</b>	<b>CAGE CODE :</b> 32559 <b>SHEET #</b> 1 <b>OF</b> 1 CAD GENERATED DOCUMENT, DO NOT MEASURE DRAWING.
CHECKED: <b>T. Yin</b>	DATE: <b>11/02/11</b>	