

Low-Power Dual Digital Isolators

Check for Samples: [ISO7420](#), [ISO7420M](#), [ISO7421](#)

FEATURES

- Highest Signaling Rate: 1 Mbps
- Low Power Consumption, Typical I_{CC} per Channel (3.3V operation):
 - ISO7420: 1.1 mA, ISO7421: 1.5 mA
- Low Propagation Delay – 9 ns Typ. and Low Skew – 300 ps Typ.
- Wide T_A Range Specified: -40°C to 125°C
- UL 1577 Approved with 2.5 kVrms Rating
- 4242 Vpeak Isolation
- CSA, IEC 60950-1 and IEC 61010-1 Approved
- 50 kV/ μs Transient Immunity, Typical
- Over 25-Year Isolation Integrity at Rated Voltage
- Operates From 3.3V and 5V Supply and Logic Levels

APPLICATIONS

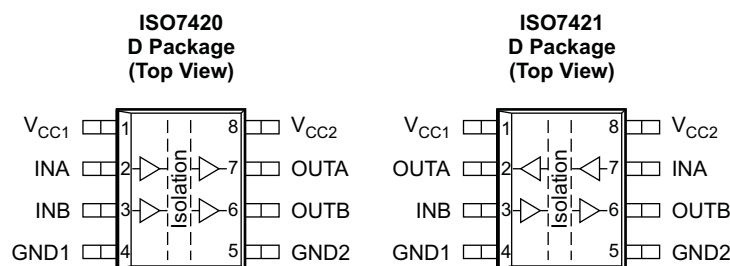
- Optocoupler Replacement in:
 - Industrial Fieldbus
 - Profibus
 - Modbus
 - DeviceNet™ Data Buses
 - Servo Control Interface
 - Motor Control
 - Power Supplies
 - Battery Packs

DESCRIPTION

The ISO7420, ISO7420M and ISO7421 provide galvanic isolation up to 2.5 kVrms for 1 minute per UL. These digital isolators have two isolated channels. Each isolation channel has a logic input and output buffer separated by a silicon dioxide (SiO_2) insulation barrier. Used in conjunction with isolated power supplies, these devices prevent noise currents on a data bus or other circuit from entering the local ground and interfering with or damaging sensitive circuitry. The suffix M indicates wide temperature range (-40°C to 125°C).

The devices have TTL input thresholds and require two supply voltages, 3.3V or 5V, or any combination. All inputs are 5-V tolerant when supplied from a 3.3V supply.

Note: The ISO7420 and ISO7421 are specified for signaling rates up to 1 Mbps. Due to their fast response time, under most cases, these devices will also transmit data with much shorter pulse widths. Designers should add external filtering to remove spurious signals with input pulse duration $< 20\text{ns}$ if desired.



P0066-08



Please be aware that an important notice concerning availability, standard warranty, and use in critical applications of Texas Instruments semiconductor products and disclaimers thereto appears at the end of this data sheet.

DeviceNet is a trademark of Texas Instruments.

UNLESS OTHERWISE NOTED this document contains PRODUCTION DATA information current as of publication date. Products conform to specifications per the terms of Texas Instruments standard warranty. Production processing does not necessarily include testing of all parameters.

Copyright © 2009–2013, Texas Instruments Incorporated



These devices have limited built-in ESD protection. The leads should be shorted together or the device placed in conductive foam during storage or handling to prevent electrostatic damage to the MOS gates.

PIN FUNCTIONS

PIN		I/O	DESCRIPTION
NAME	NO.		
INA	7	I	Input, channel A
INB	3	I	Input, channel B
GND1	4	–	Ground connection for V_{CC1}
GND2	5	–	Ground connection for V_{CC2}
OUTA	2	O	Output, channel A
OUTB	6	O	Output, channel B
V_{CC1}	1	–	Power supply, V_{CC1}
V_{CC2}	8	–	Power supply, V_{CC2}

Table 1. FUNCTION TABLE⁽¹⁾

INPUT SIDE VCC	OUTPUT SIDE VCC	INPUT IN	OUTPUT OUT
PU	PU	H	H
		L	L
		Open	H ⁽²⁾
PD	PU	X	H ⁽²⁾

- (1) PU = Powered up ($V_{CC} \geq 3$ V); PD = Powered down ($V_{CC} \leq 2.4$ V);
X = Irrelevant; H = High level; L = Low level
(2) In fail-safe condition, output is at high level for ISO7420, ISO7420M
and ISO7421.

AVAILABLE OPTIONS

PRODUCT	RATED ISOLATION	PACKAGE	INPUT THRESHOLD	RATED T_A	CHANNEL DIRECTION	MARKED AS	ORDERING NUMBER
ISO7420	2.5 kVrms	D-8	~1.5 V (TTL) (CMOS compatible)	–40°C to 105°C	Same direction	IS7420	ISO7420D (rail) ISO7420DR (reel)
ISO7420M				–40°C to 125°C		I7420M	ISO7420MD (rail) ISO7420MDR (reel)
ISO7421				–40°C to 105°C	Opposite directions	IS7421	ISO7421D (rail) ISO7421DR (reel)

ABSOLUTE MAXIMUM RATINGS⁽¹⁾

				VALUE	
V_{CC}	Supply voltage ⁽²⁾ , V_{CC1} , V_{CC2}			-0.5 V to 6 V	
V_I	Voltage at IN, OUT			-0.5 V to 6 V	
I_O	Output current			±15 mA	
ESD	Electrostatic discharge	Human-body model	JEDEC Standard 22, Test Method A114-C.01	All pins	±4 kV
		Field-induced charged-device model	JEDEC Standard 22, Test Method C101		±1.5 kV
		Machine model	ANSI/ESDS5.2-1996		±200 V
$T_{J(Max)}$	Maximum junction temperature			150°C	
T_{stg}	Storage temperature			-65°C to 150°C	

- (1) Stresses beyond those listed under *absolute maximum ratings* may cause permanent damage to the device. These are stress ratings only and functional operation of the device at these or any other conditions beyond those indicated under *recommended operating conditions* is not implied. Exposure to absolute-maximum-rated conditions for extended periods may affect device reliability.
- (2) All voltage values except differential I/O bus voltages are with respect to network ground terminal and are peak voltage values.

RECOMMENDED OPERATING CONDITIONS

		MIN	TYP	MAX	UNIT
V_{CC1} , V_{CC2}	Supply voltage - 3.3V operation	3.15	3.3	3.45	V
	Supply voltage - 5V operation	4.75	5	5.25	
I_{OH}	High-level output current	-4			mA
I_{OL}	Low-level output current			4	mA
V_{IH}	High-level input voltage	2		V_{CC}	V
V_{IL}	Low-level input voltage	0		0.8	V
$T_J^{(1)}$	Junction temperature	-40		136	°C
$1/t_{ui}$	Signaling rate	0		1	Mbps
t_{ui}	Input pulse duration	1			us

- (1) To maintain the recommended operating conditions for T_J , see the [Package Thermal Characteristics](#) table.

ELECTRICAL CHARACTERISTICS

V_{CC1} and V_{CC2} at $5V \pm 5\%$; $T_A = -40^\circ\text{C}$ to 125°C for ISO7420M, $T_A = -40^\circ\text{C}$ to 105°C for ISO742x

PARAMETER		TEST CONDITIONS	MIN	TYP	MAX	UNIT
V_{OH}	High-level output voltage	$I_{OH} = -4 \text{ mA}$; see Figure 1 .	$V_{CC} - 0.8$	4.6		V
		$I_{OH} = -20 \mu\text{A}$; see Figure 1 .	$V_{CC} - 0.1$	5		
V_{OL}	Low-level output voltage	$I_{OL} = 4 \text{ mA}$; see Figure 1 .		0.2	0.4	V
		$I_{OL} = 20 \mu\text{A}$; see Figure 1 .		0	0.1	
$V_{I(HYS)}$	Input threshold voltage hysteresis			400		mV
I_{IH}	High-level input current	I_{Nx} at 0 V or V_{CC}			10	μA
I_{IL}	Low-level input current		-10			μA
CMTI	Common-mode transient immunity	$V_I = V_{CC}$ or 0 V; see Figure 3 .	25	50		kV/ μs
SUPPLY CURRENT (All inputs switching with square wave clock signal for dynamic ICC measurement)						
ISO7420						
I_{CC1}	Supply current for V_{CC1}	DC to 1 Mbps $V_I = V_{CC}$ or 0 V, 15 pF load		0.4	1	mA
I_{CC2}	Supply current for V_{CC2}			3	6	
ISO7421						
I_{CC1}	Supply current for V_{CC1}	DC to 1 Mbps $V_I = V_{CC}$ or 0 V, 15 pF load		2	4	mA
I_{CC2}	Supply current for V_{CC2}			2	4	

SWITCHING CHARACTERISTICS

V_{CC1} and V_{CC2} at $5V \pm 5\%$; $T_A = -40^\circ\text{C}$ to 125°C for ISO7420M, $T_A = -40^\circ\text{C}$ to 105°C for ISO742x

PARAMETER		TEST CONDITIONS	MIN	TYP	MAX	UNIT
t_{PLH} , t_{PHL}	Propagation delay time	See Figure 1 .		9	14	ns
PWD ⁽¹⁾	Pulse width distortion $ t_{PHL} - t_{PLH} $			0.3	3.7	ns
$t_{sk(pp)}$	Part-to-part skew time				4.9	ns
$t_{sk(o)}$	Channel-to-channel output skew time				3.6	ns
t_r	Output signal rise time	See Figure 1 .		1		ns
t_f	Output signal fall time			1		ns
t_{fs}	Fail-safe output delay time from input power loss	See Figure 2 .		6		μs

(1) Also known as pulse skew.

ELECTRICAL CHARACTERISTICS

 V_{CC1} at $5V \pm 5\%$, V_{CC2} at $3.3V \pm 5\%$; $T_A = -40^\circ\text{C}$ to 125°C for ISO7420M, $T_A = -40^\circ\text{C}$ to 105°C for ISO742x

PARAMETER		TEST CONDITIONS		MIN	TYP	MAX	UNIT
V_{OH}	High-level output voltage	$I_{OH} = -4 \text{ mA}$; see Figure 1 .	ISO7421 (5-V side)	$V_{CC} - 0.8$	4.6		V
			ISO7420 / 7421 (3.3-V side)	$V_{CC} - 0.4$	3		
				$V_{CC} - 0.1$	V_{CC}		
V_{OL}	Low-level output voltage	$I_{OL} = 4 \text{ mA}$; see Figure 1 .			0.2	0.4	V
		$I_{OL} = 20 \text{ }\mu\text{A}$; see Figure 1 .			0	0.1	
$V_{I(HYS)}$	Input threshold voltage hysteresis				400		mV
I_{IH}	High-level input current	I_{Nx} at 0 V or V_{CC}				10	μA
I_{IL}	Low-level input current				-10		μA
CMTI	Common-mode transient immunity	$V_I = V_{CC}$ or 0 V; see Figure 3 .		25	40		kV/ μs
SUPPLY CURRENT (All inputs switching with square wave clock signal for dynamic ICC measurement)							
ISO7420							
I_{CC1}	Supply current for V_{CC1}	DC to 1 Mbps	$V_I = V_{CC}$ or 0 V, 15 pF load		0.4	1	mA
I_{CC2}	Supply current for V_{CC2}				2	4.5	mA
ISO7421							
I_{CC1}	Supply current for V_{CC1}	DC to 1 Mbps	$V_I = V_{CC}$ or 0 V, 15 pF load		2	4	mA
I_{CC2}	Supply current for V_{CC2}				1.5	3.5	mA

SWITCHING CHARACTERISTICS

 V_{CC1} at $5V \pm 5\%$, V_{CC2} at $3.3V \pm 5\%$; $T_A = -40^\circ\text{C}$ to 125°C for ISO7420M, $T_A = -40^\circ\text{C}$ to 105°C for ISO742x

PARAMETER		TEST CONDITIONS		MIN	TYP	MAX	UNIT
t_{PLH} , t_{PHL}	Propagation delay time	See Figure 1 .			10	17	ns
PWD ⁽¹⁾	Pulse width distortion $ t_{PHL} - t_{PLH} $				0.5	5.6	ns
$t_{sk(pp)}$	Part-to-part skew time					6.3	ns
$t_{sk(o)}$	Channel-to-channel output skew time					4	ns
t_r	Output signal rise time	See Figure 1 .			2		ns
t_f	Output signal fall time				2		ns
t_{fs}	Fail-safe output delay time from input power loss	See Figure 2 .			6		μs

(1) Also known as pulse skew.

ELECTRICAL CHARACTERISTICS

V_{CC1} at $3.3V \pm 5\%$, V_{CC2} at $5V \pm 5\%$; $T_A = -40^\circ C$ to $125^\circ C$ for ISO7420M, $T_A = -40^\circ C$ to $105^\circ C$ for ISO742x

PARAMETER		TEST CONDITIONS		MIN	TYP	MAX	UNIT
V_{OH}	High-level output voltage	$I_{OH} = -4 \text{ mA}$; see Figure 1 .	ISO7420 / 7421 (5-V side).	$V_{CC} - 0.8$	4.6		V
			ISO7421 (3.3-V side)	$V_{CC} - 0.4$	3		
			$I_{OH} = -20 \text{ } \mu\text{A}$; see Figure 1		$V_{CC} - 0.1$	V_{CC}	
V_{OL}	Low-level output voltage	$I_{OL} = 4 \text{ mA}$; see Figure 1 .			0.2	0.4	V
		$I_{OL} = 20 \text{ } \mu\text{A}$; see Figure 1 .			0	0.1	
$V_{I(HYS)}$	Input threshold voltage hysteresis				400		mV
I_{IH}	High-level input current	INx at 0 V or V_{CC}				10	μA
I_{IL}	Low-level input current				-10		μA
CMTI	Common-mode transient immunity	$V_I = V_{CC}$ or 0 V; see Figure 3 .		25	40		kV/ μs
SUPPLY CURRENT (All inputs switching with square wave clock signal for dynamic ICC measurement)							
ISO7420							
I_{CC1}	Supply current for V_{CC1}	DC to 1 Mbps	$V_I = V_{CC}$ or 0 V, 15 pF load		0.2	0.7	mA
I_{CC2}	Supply current for V_{CC2}				3	6	
ISO7421							
I_{CC1}	Supply current for V_{CC1}	DC to 1 Mbps	$V_I = V_{CC}$ or 0 V, 15 pF load		1.5	3.5	mA
I_{CC2}	Supply current for V_{CC2}				2	4	

SWITCHING CHARACTERISTICS

V_{CC1} at $3.3V \pm 5\%$, V_{CC2} at $5V \pm 5\%$, $T_A = -40^\circ C$ to $125^\circ C$ for ISO7420M, $T_A = -40^\circ C$ to $105^\circ C$ for ISO742x

PARAMETER		TEST CONDITIONS		MIN	TYP	MAX	UNIT
t_{PLH} , t_{PHL}	Propagation delay time	See Figure 1 .			10	17	ns
PWD ⁽¹⁾	Pulse width distortion $ t_{PHL} - t_{PLH} $				0.5	4	ns
$t_{sk(pp)}$	Part-to-part skew time					8.5	ns
$t_{sk(o)}$	Channel-to-channel output skew time					4	ns
t_r	Output signal rise time	See Figure 1 .			2		ns
t_f	Output signal fall time				2		ns
t_{fs}	Fail-safe output delay time from input power loss	See Figure 2 .			6		μs

(1) Also known as pulse skew.

ELECTRICAL CHARACTERISTICS

 V_{CC1} and V_{CC2} at $3.3V \pm 5\%$, $T_A = -40^\circ\text{C}$ to 125°C for ISO7420M, $T_A = -40^\circ\text{C}$ to 105°C for ISO742x

PARAMETER		TEST CONDITIONS		MIN	TYP	MAX	UNIT
V_{OH}	High-level output voltage	$I_{OH} = -4 \text{ mA}$; see Figure 1 .		$V_{CC} - 0.4$	3		V
		$I_{OH} = -20 \mu\text{A}$; see Figure 1 .		$V_{CC} - 0.1$	3.3		
V_{OL}	Low-level output voltage	$I_{OL} = 4 \text{ mA}$; see Figure 1 .			0.2	0.4	V
		$I_{OL} = 20 \mu\text{A}$; see Figure 1 .			0	0.1	
$V_{I(HYS)}$	Input threshold voltage hysteresis				400		mV
I_{IH}	High-level input current	INx at 0 V or V_{CC}				10	μA
I_{IL}	Low-level input current					-10	
CMTI	Common-mode transient immunity	$V_I = V_{CC}$ or 0 V; see Figure 3 .		25	40		kV/ μs
SUPPLY CURRENT (All inputs switching with square wave clock signal for dynamic ICC measurement)							
ISO7420							
I_{CC1}	Supply current for V_{CC1}	DC to 1 Mbps	$V_I = V_{CC}$ or 0 V, 15 pF load		0.2	0.7	mA
I_{CC2}	Supply current for V_{CC2}				2	4.5	
ISO7421							
I_{CC1}	Supply current for V_{CC1}	DC to 1 Mbps	$V_I = V_{CC}$ or 0 V, 15 pF load		1.5	3.5	mA
I_{CC2}	Supply current for V_{CC2}				1.5	3.5	

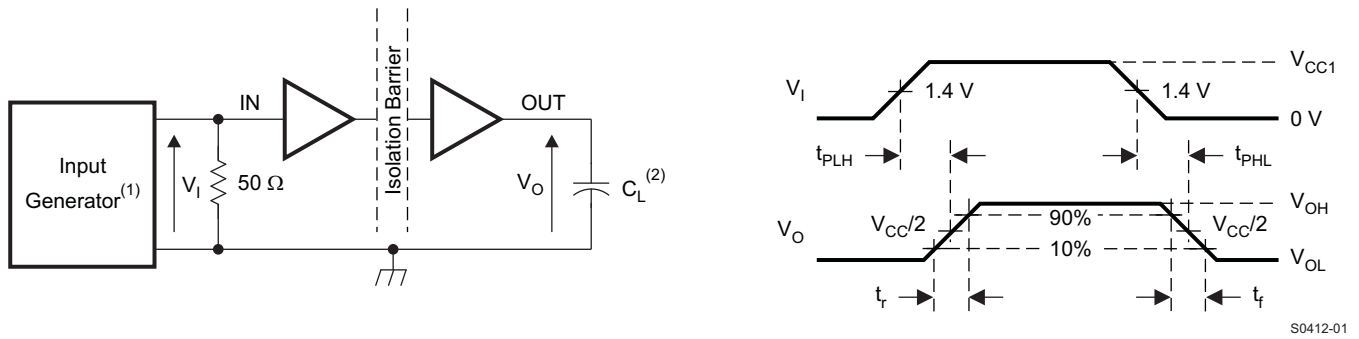
SWITCHING CHARACTERISTICS

 V_{CC1} and V_{CC2} at $3.3V \pm 5\%$, $T_A = -40^\circ\text{C}$ to 125°C for ISO7420M, $T_A = -40^\circ\text{C}$ to 105°C for ISO742x

PARAMETER		TEST CONDITIONS	MIN	TYP	MAX	UNIT
t_{PLH} , t_{PHL}	Propagation delay time	See Figure 1 .		12	20	ns
PWD ⁽¹⁾	Pulse width distortion $ t_{PHL} - t_{PLH} $			1	5	ns
$t_{sk(pp)}$	Part-to-part skew time				6.8	ns
$t_{sk(o)}$	Channel-to-channel output skew time			5.5	ns	
t_r	Output signal rise time	See Figure 1 .		2		ns
t_f	Output signal fall time			2		ns
t_{fs}	Fail-safe output delay time from input power loss	See Figure 2 .		6		μs

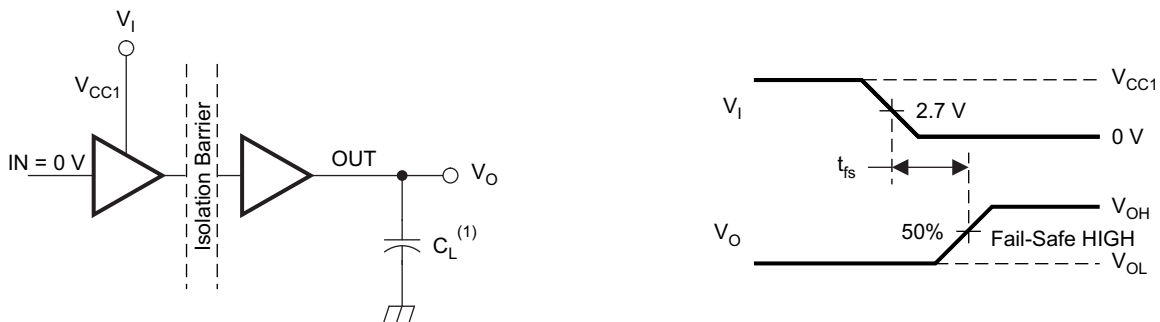
(1) Also known as pulse skew.

PARAMETER MEASUREMENT INFORMATION



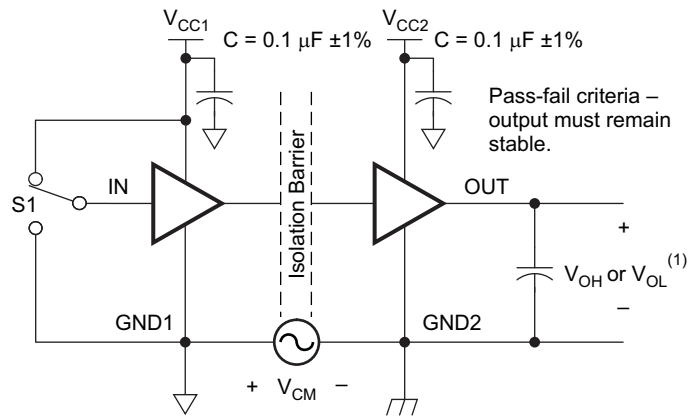
- (1) The input pulse is supplied by a generator having the following characteristics: PRR ≤ 50 kHz, 50% duty cycle, $t_r \leq 3$ ns, $t_f \leq 3$ ns, $Z_o = 50 \Omega$. At the input, a 50- Ω resistor is required to terminate the Input Generator signal. It is not needed in an actual application.
- (2) $C_L = 15$ pF $\pm 20\%$ includes instrumentation and fixture capacitance.

Figure 1. Switching Characteristic Test Circuit and Voltage Waveforms



- (1) $C_L = 15$ pF $\pm 20\%$ includes instrumentation and fixture capacitance.

Figure 2. Fail-Safe Output Delay-Time Test Circuit and Voltage Waveforms



- (1) $C_L = 15$ pF $\pm 20\%$ includes instrumentation and fixture capacitance.

Figure 3. Common-Mode Transient Immunity Test Circuit

DEVICE INFORMATION

PACKAGE CHARACTERISTICS

over recommended operating conditions (unless otherwise noted)

PARAMETER		TEST CONDITIONS	MIN	TYP	MAX	UNIT
L(I01)	Minimum air gap (clearance)	Shortest terminal-to-terminal distance through air	4.8			mm
L(I02)	Minimum external tracking (creepage)	Shortest terminal-to-terminal distance across the package surface	4.3			mm
CTI	Tracking resistance (comparative tracking index)	DIN IEC 60112 / VDE 0303 Part 1	>400			V
	Minimum internal gap (internal clearance)	Distance through the insulation	0.014			mm
R _{IO}	Isolation resistance, input to output ⁽¹⁾	V _{IO} = 500 V, T _A < 100°C	>10 ¹²			Ω
		V _{IO} = 500 V, 100°C ≤ T _A ≤ max	>10 ¹¹			Ω
C _{IO}	Barrier capacitance, input to output ⁽¹⁾	V _{IO} = 0.4 sin(2πft), f = 1 MHz		1		pF
C _I	Input capacitance ⁽²⁾	V _I = V _{CC} /2 + 0.4 sin(2πft), f = 1 MHz, V _{CC} = 5 V		1		pF

(1) All pins on each side of the barrier tied together creating a two-terminal device.

(2) Measured from input pin to ground.

NOTE

Creepage and clearance requirements should be applied according to the specific equipment isolation standards of an application. Care should be taken to maintain the creepage and clearance distance of a board design to ensure that the mounting pads of the isolator on the printed-circuit board do not reduce this distance.

Creepage and clearance on a printed-circuit board become equal in certain cases. Techniques such as inserting grooves and/or ribs on a printed circuit board are used to help increase these specifications.

INSULATION CHARACTERISTICS

over recommended operating conditions (unless otherwise noted)

PARAMETER ⁽¹⁾		TEST CONDITIONS	SPECIFICATION	UNIT
V _{IORM}	Maximum working insulation voltage ⁽²⁾		566	V _{peak}
V _{PR}	Input-to-output test voltage	t = 1 s (100% production), partial discharge 5 pC	1062	V _{peak}
V _{IOTM}	Transient overvoltage	t = 60 s (qualification)	4242	V _{peak}
		t = 1 s (100% production)		
V _{ISO}	Isolation voltage per UL	t = 60 s (qualification)	2500	V _{rms}
		t = 1 s (100% production)	3000	
R _S	Insulation resistance	V _{IO} = 500 V at T _S	>10 ⁹	Ω
	Pollution degree		2	

(1) Climatic Classification 40/125/21

(2) For applications that require DC working voltages between GND1 and GND2, contact Texas Instruments for further details.

Table 2. IEC 60664-1 RATINGS TABLE

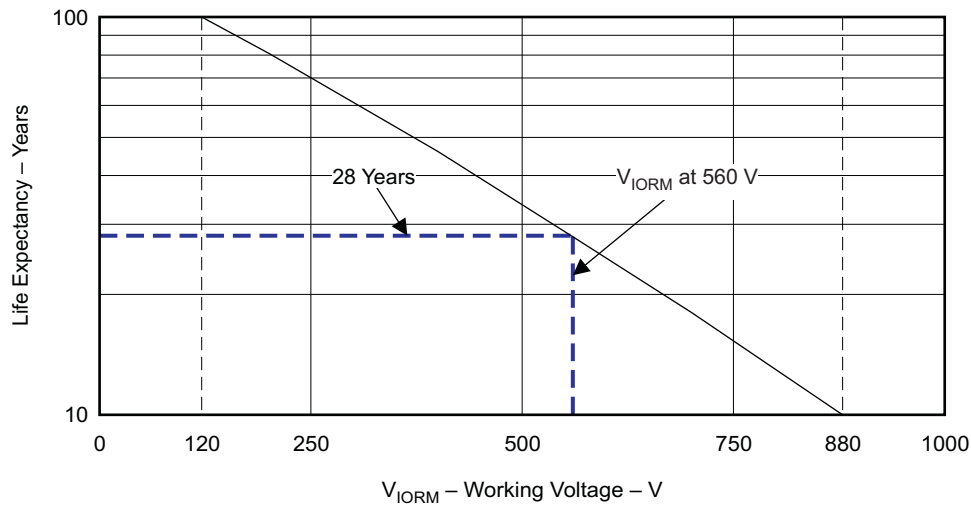
PARAMETER	TEST CONDITIONS	SPECIFICATION
Basic isolation group	Material group	II
Installation classification	Rated mains voltage ≤ 150 Vrms	I–IV
	Rated mains voltage ≤ 300 Vrms	I–III
	Rated mains voltage ≤ 400 Vrms	I–II

REGULATORY INFORMATION

VDE	CSA	UL
Certified according to IEC 60747-5-2	Approved under CSA Component Acceptance Notice #5A	Recognized under UL1577 Component Recognition Program ⁽¹⁾
Basic Insulation Maximum Transient Overvoltage, 4242 V _{PK} Maximum Surge Voltage, 4000 V _{PK} Maximum Working Voltage, 566 V _{I-PK}	Basic insulation per CSA 60950-1-07 and IEC 60950-1 (2nd Ed), 390 VRMS maximum working voltage	Single Protection, 2500 V _{RMS}
File number: 40016131	File number: 220991	File number: E181974

(1) Production tested ≥ 3000 Vrms for 1 second in accordance with UL 1577.

LIFE EXPECTANCY vs WORKING VOLTAGE



G001

Figure 4. Life Expectancy vs Working Voltage

IEC SAFETY LIMITING VALUES

Safety limiting intends to prevent potential damage to the isolation barrier upon failure of input or output circuitry. A failure of the I/O can allow low resistance to ground or the supply and, without current limiting, dissipate sufficient power to overheat the die and damage the isolation barrier, potentially leading to secondary system failures.

PARAMETER		TEST CONDITIONS	MIN	TYP	MAX	UNIT
I _S	Safety input, output, or supply current	$\theta_{JA} = 212^{\circ}\text{C}/\text{W}$, $V_I = 5.25\text{ V}$, $T_J = 150^{\circ}\text{C}$, $T_A = 25^{\circ}\text{C}$			112	mA
		$\theta_{JA} = 212^{\circ}\text{C}/\text{W}$, $V_I = 3.45\text{ V}$, $T_J = 150^{\circ}\text{C}$, $T_A = 25^{\circ}\text{C}$			171	
T _S	Maximum case temperature				150	°C

The safety-limiting constraint is the absolute-maximum junction temperature specified in the *Absolute Maximum Ratings* table. The power dissipation and junction-to-air thermal impedance of the device installed in the application hardware determines the junction temperature. The assumed junction-to-air thermal resistance in the *Thermal Characteristics* table is that of a device installed in the JESD51-3, Low-Effective-Thermal-Conductivity Test Board for Leadless Surface-Mount Packages and is conservative. The power is the recommended maximum input voltage times the current. The junction temperature is then the ambient temperature plus the power times the junction-to-air thermal resistance.

PACKAGE THERMAL CHARACTERISTICS

(over recommended operating conditions unless otherwise noted)

PARAMETER		TEST CONDITIONS	MIN	TYP	MAX	UNIT
θ_{JA}	Junction-to-air thermal resistance	Low-K thermal resistance ⁽¹⁾		212		°C/W
		High-K thermal resistance ⁽¹⁾		122		
θ_{JB}	Junction-to-board thermal resistance			37		°C/W
θ_{JC}	Junction-to-case thermal resistance			69.1		°C/W
P_D	Device power dissipation	$V_{CC1} = V_{CC2} = 5.5\text{ V}$, $T_J = 150^\circ\text{C}$, $C_L = 15\text{ pF}$, Input a 150-Mbps 50% duty-cycle square wave			390	mW

(1) Tested in accordance with the low-K or high-K thermal metric definitions of EIA/JESD51-3 for leaded surface-mount packages

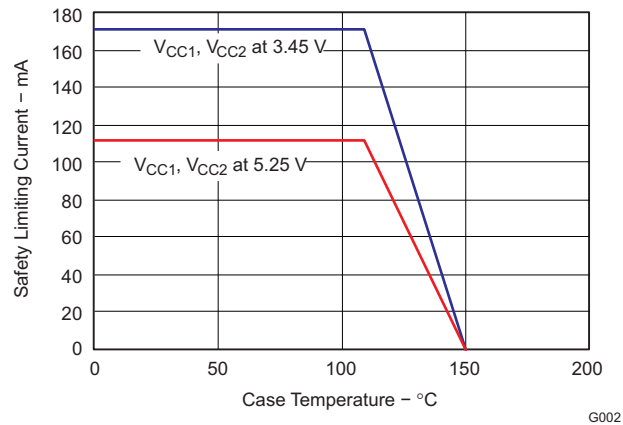


Figure 5. θ_{JC} Thermal Derating Curve per IEC 60747-5-2

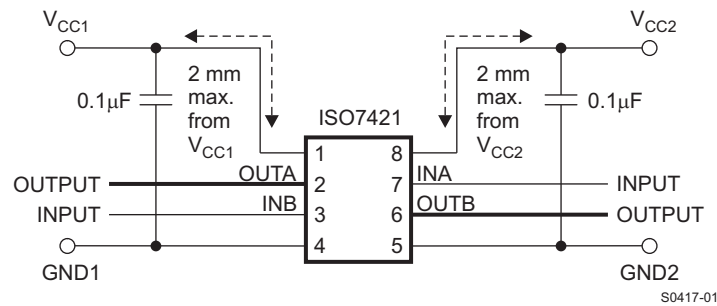


Figure 6. Typical ISO7421 Application Circuit

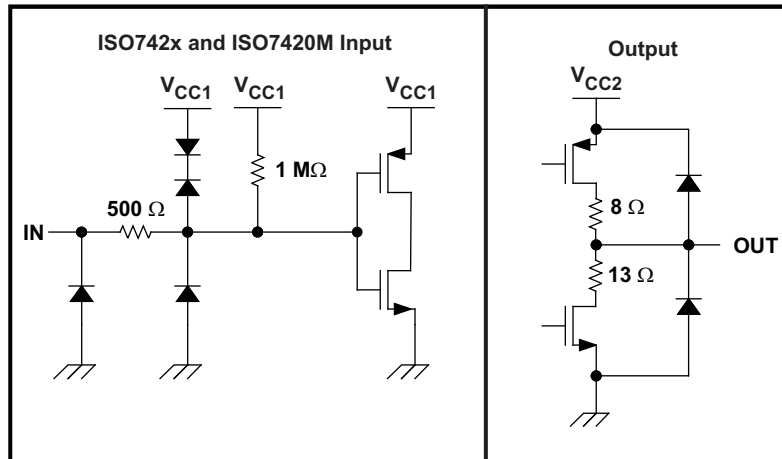


Figure 7. Device I/O Schematics

TYPICAL CHARACTERISTICS

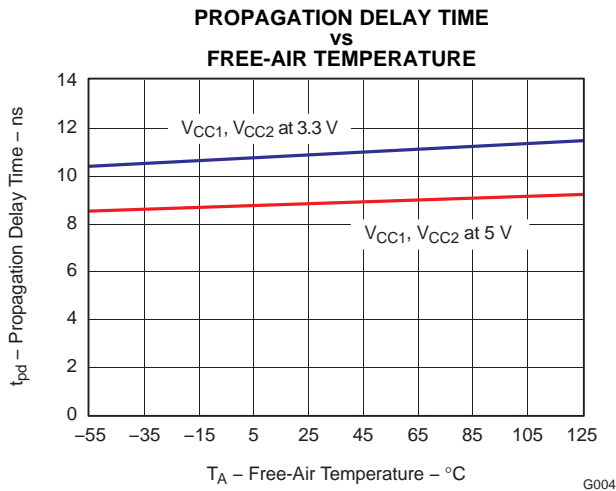


Figure 8.

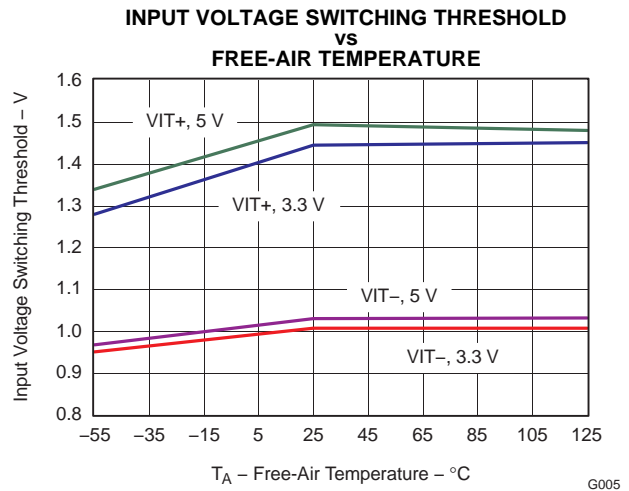


Figure 9.

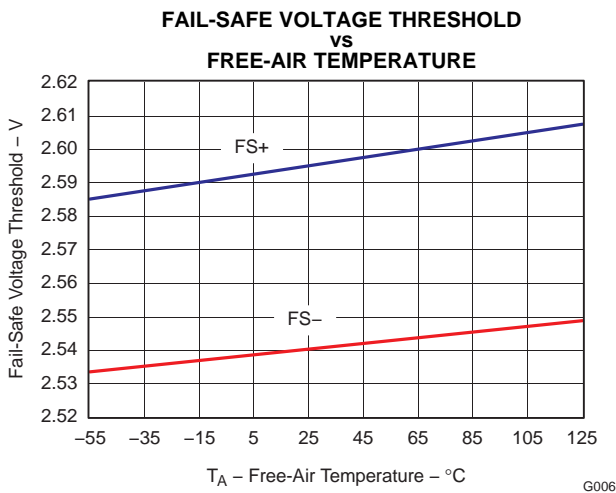


Figure 10.

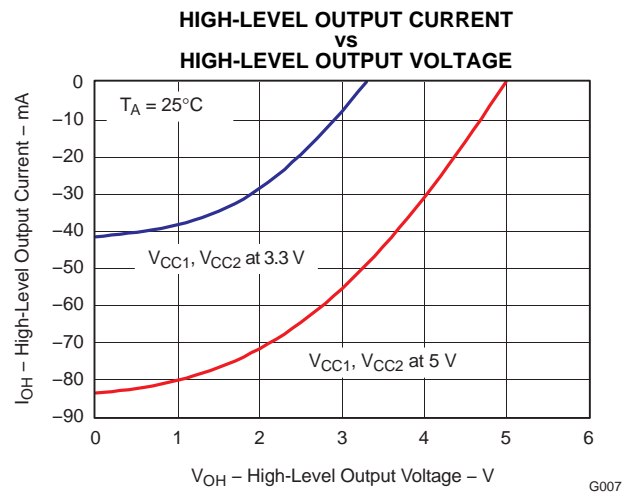


Figure 11.

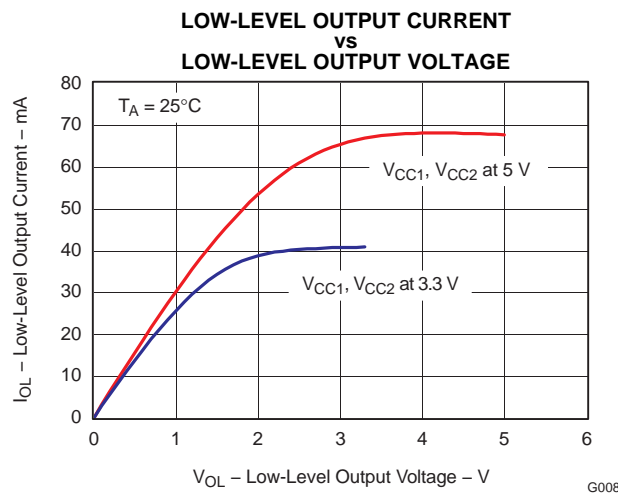


Figure 12.

REVISION HISTORY

Changes from Original (June 2009) to Revision A	Page
• Added devices ISO7420 and ISO7420M to the data sheet	1
• Added the I _{CC} EQUATIONS section	12
Changes from Revision A (December 2009) to Revision B	Page
• Switching Characteristics Table, Added Note (2) - Typical specifications are measured at ideal conditions of 25°C. Max or Min specifications are measured at worst case conditions for V _{CC} and temperature.	4
Changes from Revision B (February 2010) to Revision C	Page
• Added devices ISO7420F and ISO7420FM to the data sheet	1
• Added The suffix M indicates wide temperature range (–55°C to 125°C) and the suffix F indicates output-low option in fail-safe condition. All other devices without the F suffix default to output-high in fail-safe state.	1
• Changed the Function Table Output values for PU (Open) From: H To: H/L	2
• Changed the Function Table Output values for PU (X) From: H To: H/L	2
• Changed the Function Table Output values for PU (X) From: H/L To: H	2
• Added Note (2) in the Function Table	2
• Added ISO7420F and ISO7420FM to the Available Options Table	2
• Changed value from a max of 4 mA to a min of -4 mA	3
• Changed value from a min of -4 mA to a max of 4 mA	3
• Changed Electrical Characteristics Conditions	4
• Deleted C _i from the ELECTRICAL CHARACTERISTICS	4
• Added (All inputs switching with square wave clock signal for dynamic ICC measurement)	4
• Changed SWITCHING CHARACTERISTICS conditions	4
• Changed PWD parameter from duration to width	4
• Changed ELECTRICAL CHARACTERISTICS conditions	5
• Added High-level output voltage ISO7420 / 7421 (3.3-V side) test condition	5
• Changed High-level output voltage min value	5
• Deleted C _i specification	5
• Added (All inputs switching with square wave clock signal for dynamic ICC measurement)	5
• Changed SWITCHING CHARACTERISTICS conditions	5
• Changed Pulse duration distortion to Pulse width distortion	5
• Changed ELECTRICAL CHARACTERISTICS conditions	6
• Added High-level output voltage ISO7420 / 7421 (5-V side) test condition	6
• Changed High-level output voltage min value	6
• Deleted C _i specification	6
• Added (All inputs switching with square wave clock signal for dynamic ICC measurement)	6
• Changed SWITCHING CHARACTERISTICS conditions	6
• Changed Pulse duration distortion to Pulse width distortion	6
• Changed ELECTRICAL CHARACTERISTICS conditions	7
• Deleted C _i specification	7
• Added (All inputs switching with square wave clock signal for dynamic ICC measurement)	7
• Changed SWITCHING CHARACTERISTICS conditions	7
• Changed Pulse duration distortion to Pulse width distortion	7
• Changed Note 1 Figure 1	8

• Changed Figure 2	8
• Added input to output and note 1 to Isolation resistance, input to output	9
• Changed the Isolation resistance test conditions	9
• Changed the Isolation resistance test conditions	9
• Added note 1 to Barrier capacitance, input to output	9
• Added Input capacitance	9
• Changed $T_J = 170^\circ\text{C}$ to $T_J = 150^\circ\text{C}$	11
• Changed From: 124mA To: 107mA	11
• Changed $T_J = 170^\circ\text{C}$ to $T_J = 150^\circ\text{C}$	11
• Changed From: 190mA To: 164mA	11
• Changed Figure 5	12
• Changed Figure 7	13

Changes from Revision C (March 2010) to Revision D

Page

• Deleted devices ISO7420F and ISO7420FM from the data sheet	1
• Updated the Features List	1
• Updated the device Description. Add paragraph - Note: The ISO7420 and ISO7421	1
• Changed the Function Table Output values for PU (Open) From: H/L To: H	2
• Changed ISO7420M T_A temp From: -55 to 125 To: 40 to 125 in the Available Options Table	2
• Added Tstg to the Absolute Maximum Ratings Table	3
• Updated the Recommended Operating Conditions Table	3
• Updates throughout the Electrical Characteristics and Switching Characteristics tables	4
• Updated the Supply Current test conditions	4
• Changed Figure 2	8
• Changed Note 1 in Figure 3	8
• Changed Minimum internal gap MIN value From: 0.008 To: 0.014mm	9
• Changed the Barrier capacitance, input to output test conditions	9
• Changed the Input capacitance test conditions	9
• Changed the V_{IORM} , V_{PR} , and V_{IOTM} unit values From: V To: Vpeak	9
• Changed V_I From: 5.5V To: 5.25V	11
• Changed From: 107mA To: 112mA	11
• Changed V_I From: 3.6V To: 3.45V	11
• Changed From: 164mA To: 171mA	11
• Changed Figure 5	12
• Deleted the I_{CC} EQUATIONS section	12
• Changed Figure 7	13
• Deleted the SUPPLY CURRENT vs SIGNAL RATE (ALL CHANNELS) graphs and the EYE DIAGRAM plots	14

Changes from Revision D (July 2010) to Revision E	Page
• Added new fifth bullet to Features and deleted text from 4-kVpeak bullet item	1
• Changed first paragraph in Description from: ISO7420M, ISO7421, and ISO7421M to: ISO7420M and ISO7421	1
• Changed Note 2 in Function Table from: ISO7420M, ISO7421, and ISO7421M to: ISO7420M and ISO7421	2
• Deleted the last row in the Available Options table	2
• Changed ISO742xM in the ELEC CHAR and SWITCHING CHAR table to ISO7420M	4
• Changed the MAX value in the SWITCHING CHAR table 2nd row from 3.5 to 3.7 and 3rd row from 4 to 4.9	4
• Changed ISO742xM in the ELEC CHAR and SWITCHING CHAR table to ISO7420M	5
• Changed the MAX value in the 2nd SWITCHING CHAR table 2nd row from 4 to 5.6 and 3rd row from 5 to 6.3	5
• Changed ISO742xM in the ELEC CHAR and SWITCHING CHAR table to ISO7420M	6
• Changed the MAX value in the 3rd SWITCHING CHAR table 3rd row from 5 to 8.5	6
• Changed ISO742xM in the ELEC CHAR and SWITCHING CHAR table to ISO7420M	7
• Changed the MAX value in the 4rd SWITCHING CHAR table 3rd row from 6 to 6.8	7
• Changed Regulatory Information table last row, last column from: pending (E181974) to: E181974	10

Changes from Revision E (June 2011) to Revision F	Page
• Changed Feature From: 242 Vpeak Maximum Isolation-per DIN EN 60747-5-2 (VDE 0884 Part 2) - To: 4~242 Vpeak Isolation	1
• Changed Feature From: IEC/VDE and CSA Approvals, IEC 60950-1–IEC 61010-1 End Equipment Standards Approvals, All Approvals Pending To: CSA 60950-1 and IEC 61010-1 Approved	1
• Changed CTI in the PACKAGE CHARACTERISTICS table, Min value From: >175 To 400	9
• Changed the text of NOTE:	9
• Added table Note to V_{IORM}	9
• Changed V_{IORM} in the INSULATION CHARACTERISTICS table, Specification value From: 56~0 To: 56~6	9
• Changed V_{PR} in the Specification value From: 10~50 To: 10~62	9
• Changed V_{IOTM} t = 60 s (qualification) Specification value From: 4~000 To: 4~242	9
• Changed the IEC 60664-1 RATINGS TABLE. Row - Basic isolation group SPECIFICATION From: III-a To: II	10
• Changed the REGULATORY INFORMATION table	10

Changes from Revision F (January 2013) to Revision G	Page
• Changed V_{IORM} in the INSULATION CHARACTERISTICS table, Specification value From: 56~6 To: 566	9
• Changed V_{PR} in the Specification value From: 10~62 To: 1062	9
• Changed V_{IOTM} t = 60 s (qualification) Specification value From: 4~242 To: 4242	9

Changes from Revision G (May 2013) to Revision H	Page
• Changed Feature From: 4~242 Vpeak Isolation To: 4242 Vpeak Isolation	1

PACKAGING INFORMATION

Orderable Device	Status (1)	Package Type	Package Drawing	Pins	Package Qty	Eco Plan (2)	Lead/Ball Finish	MSL Peak Temp (3)	Op Temp (°C)	Top-Side Markings (4)	Samples
ISO7420D	ACTIVE	SOIC	D	8	75	Green (RoHS & no Sb/Br)	CU NIPDAU	Level-1-260C-UNLIM	-40 to 105	IS7420	Samples
ISO7420DR	ACTIVE	SOIC	D	8	2500	Green (RoHS & no Sb/Br)	CU NIPDAU	Level-1-260C-UNLIM	-40 to 105	IS7420	Samples
ISO7420MD	ACTIVE	SOIC	D	8	75	Green (RoHS & no Sb/Br)	CU NIPDAU	Level-1-260C-UNLIM	-40 to 125	I7420M	Samples
ISO7420MDR	ACTIVE	SOIC	D	8	2500	Green (RoHS & no Sb/Br)	CU NIPDAU	Level-1-260C-UNLIM	-40 to 125	I7420M	Samples
ISO7421D	ACTIVE	SOIC	D	8	75	Green (RoHS & no Sb/Br)	CU NIPDAU	Level-1-260C-UNLIM	-40 to 105	IS7421	Samples
ISO7421DR	ACTIVE	SOIC	D	8	2500	Green (RoHS & no Sb/Br)	CU NIPDAU	Level-1-260C-UNLIM	-40 to 105	IS7421	Samples

(1) The marketing status values are defined as follows:

ACTIVE: Product device recommended for new designs.

LIFEBUY: TI has announced that the device will be discontinued, and a lifetime-buy period is in effect.

NRND: Not recommended for new designs. Device is in production to support existing customers, but TI does not recommend using this part in a new design.

PREVIEW: Device has been announced but is not in production. Samples may or may not be available.

OBSELETE: TI has discontinued the production of the device.

(2) Eco Plan - The planned eco-friendly classification: Pb-Free (RoHS), Pb-Free (RoHS Exempt), or Green (RoHS & no Sb/Br) - please check <http://www.ti.com/productcontent> for the latest availability information and additional product content details.

TBD: The Pb-Free/Green conversion plan has not been defined.

Pb-Free (RoHS): TI's terms "Lead-Free" or "Pb-Free" mean semiconductor products that are compatible with the current RoHS requirements for all 6 substances, including the requirement that lead not exceed 0.1% by weight in homogeneous materials. Where designed to be soldered at high temperatures, TI Pb-Free products are suitable for use in specified lead-free processes.

Pb-Free (RoHS Exempt): This component has a RoHS exemption for either 1) lead-based flip-chip solder bumps used between the die and package, or 2) lead-based die adhesive used between the die and leadframe. The component is otherwise considered Pb-Free (RoHS compatible) as defined above.

Green (RoHS & no Sb/Br): TI defines "Green" to mean Pb-Free (RoHS compatible), and free of Bromine (Br) and Antimony (Sb) based flame retardants (Br or Sb do not exceed 0.1% by weight in homogeneous material)

(3) MSL, Peak Temp. -- The Moisture Sensitivity Level rating according to the JEDEC industry standard classifications, and peak solder temperature.

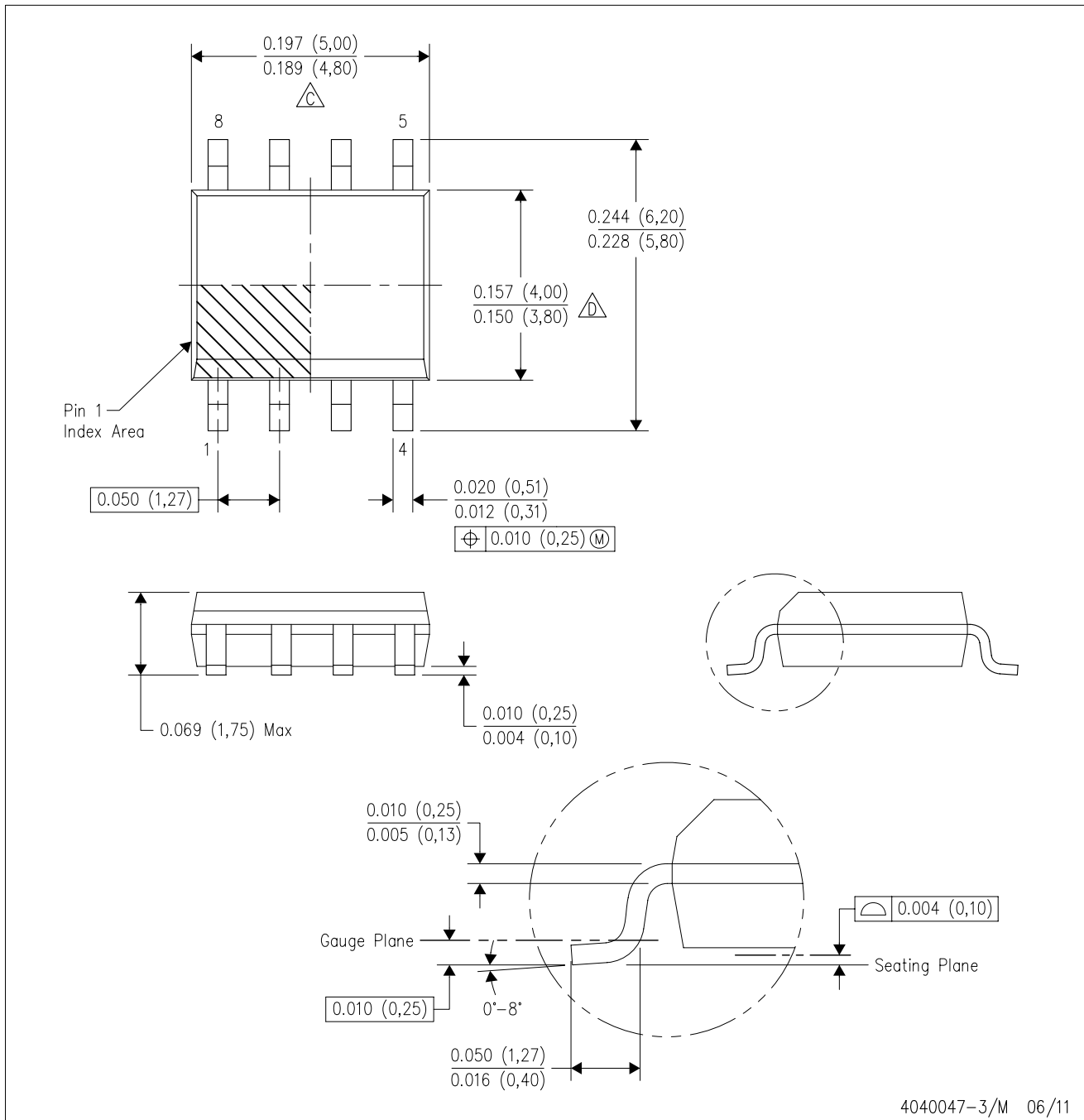
(4) Multiple Top-Side Markings will be inside parentheses. Only one Top-Side Marking contained in parentheses and separated by a "~" will appear on a device. If a line is indented then it is a continuation of the previous line and the two combined represent the entire Top-Side Marking for that device.

Important Information and Disclaimer: The information provided on this page represents TI's knowledge and belief as of the date that it is provided. TI bases its knowledge and belief on information provided by third parties, and makes no representation or warranty as to the accuracy of such information. Efforts are underway to better integrate information from third parties. TI has taken and continues to take reasonable steps to provide representative and accurate information but may not have conducted destructive testing or chemical analysis on incoming materials and chemicals. TI and TI suppliers consider certain information to be proprietary, and thus CAS numbers and other limited information may not be available for release.

In no event shall TI's liability arising out of such information exceed the total purchase price of the TI part(s) at issue in this document sold by TI to Customer on an annual basis.

D (R-PDSO-G8)

PLASTIC SMALL OUTLINE



- NOTES:
- A. All linear dimensions are in inches (millimeters).
 - B. This drawing is subject to change without notice.
 - Body length does not include mold flash, protrusions, or gate burrs. Mold flash, protrusions, or gate burrs shall not exceed 0.006 (0,15) each side.
 - Body width does not include interlead flash. Interlead flash shall not exceed 0.017 (0,43) each side.
 - E. Reference JEDEC MS-012 variation AA.

D (R-PDSO-G8)

PLASTIC SMALL OUTLINE



- NOTES:
- All linear dimensions are in millimeters.
 - This drawing is subject to change without notice.
 - Publication IPC-7351 is recommended for alternate designs.
 - Laser cutting apertures with trapezoidal walls and also rounding corners will offer better paste release. Customers should contact their board assembly site for stencil design recommendations. Refer to IPC-7525 for other stencil recommendations.
 - Customers should contact their board fabrication site for solder mask tolerances between and around signal pads.

IMPORTANT NOTICE

Texas Instruments Incorporated and its subsidiaries (TI) reserve the right to make corrections, enhancements, improvements and other changes to its semiconductor products and services per JESD46, latest issue, and to discontinue any product or service per JESD48, latest issue. Buyers should obtain the latest relevant information before placing orders and should verify that such information is current and complete. All semiconductor products (also referred to herein as "components") are sold subject to TI's terms and conditions of sale supplied at the time of order acknowledgment.

TI warrants performance of its components to the specifications applicable at the time of sale, in accordance with the warranty in TI's terms and conditions of sale of semiconductor products. Testing and other quality control techniques are used to the extent TI deems necessary to support this warranty. Except where mandated by applicable law, testing of all parameters of each component is not necessarily performed.

TI assumes no liability for applications assistance or the design of Buyers' products. Buyers are responsible for their products and applications using TI components. To minimize the risks associated with Buyers' products and applications, Buyers should provide adequate design and operating safeguards.

TI does not warrant or represent that any license, either express or implied, is granted under any patent right, copyright, mask work right, or other intellectual property right relating to any combination, machine, or process in which TI components or services are used. Information published by TI regarding third-party products or services does not constitute a license to use such products or services or a warranty or endorsement thereof. Use of such information may require a license from a third party under the patents or other intellectual property of the third party, or a license from TI under the patents or other intellectual property of TI.

Reproduction of significant portions of TI information in TI data books or data sheets is permissible only if reproduction is without alteration and is accompanied by all associated warranties, conditions, limitations, and notices. TI is not responsible or liable for such altered documentation. Information of third parties may be subject to additional restrictions.

Resale of TI components or services with statements different from or beyond the parameters stated by TI for that component or service voids all express and any implied warranties for the associated TI component or service and is an unfair and deceptive business practice. TI is not responsible or liable for any such statements.

Buyer acknowledges and agrees that it is solely responsible for compliance with all legal, regulatory and safety-related requirements concerning its products, and any use of TI components in its applications, notwithstanding any applications-related information or support that may be provided by TI. Buyer represents and agrees that it has all the necessary expertise to create and implement safeguards which anticipate dangerous consequences of failures, monitor failures and their consequences, lessen the likelihood of failures that might cause harm and take appropriate remedial actions. Buyer will fully indemnify TI and its representatives against any damages arising out of the use of any TI components in safety-critical applications.

In some cases, TI components may be promoted specifically to facilitate safety-related applications. With such components, TI's goal is to help enable customers to design and create their own end-product solutions that meet applicable functional safety standards and requirements. Nonetheless, such components are subject to these terms.

No TI components are authorized for use in FDA Class III (or similar life-critical medical equipment) unless authorized officers of the parties have executed a special agreement specifically governing such use.

Only those TI components which TI has specifically designated as military grade or "enhanced plastic" are designed and intended for use in military/aerospace applications or environments. Buyer acknowledges and agrees that any military or aerospace use of TI components which have **not** been so designated is solely at the Buyer's risk, and that Buyer is solely responsible for compliance with all legal and regulatory requirements in connection with such use.

TI has specifically designated certain components as meeting ISO/TS16949 requirements, mainly for automotive use. In any case of use of non-designated products, TI will not be responsible for any failure to meet ISO/TS16949.

Products

Audio	www.ti.com/audio
Amplifiers	amplifier.ti.com
Data Converters	dataconverter.ti.com
DLP® Products	www.dlp.com
DSP	dsp.ti.com
Clocks and Timers	www.ti.com/clocks
Interface	interface.ti.com
Logic	logic.ti.com
Power Mgmt	power.ti.com
Microcontrollers	microcontroller.ti.com
RFID	www.ti-rfid.com
OMAP Applications Processors	www.ti.com/omap
Wireless Connectivity	www.ti.com/wirelessconnectivity

Applications

Automotive and Transportation	www.ti.com/automotive
Communications and Telecom	www.ti.com/communications
Computers and Peripherals	www.ti.com/computers
Consumer Electronics	www.ti.com/consumer-apps
Energy and Lighting	www.ti.com/energy
Industrial	www.ti.com/industrial
Medical	www.ti.com/medical
Security	www.ti.com/security
Space, Avionics and Defense	www.ti.com/space-avionics-defense
Video and Imaging	www.ti.com/video

TI E2E Community

e2e.ti.com